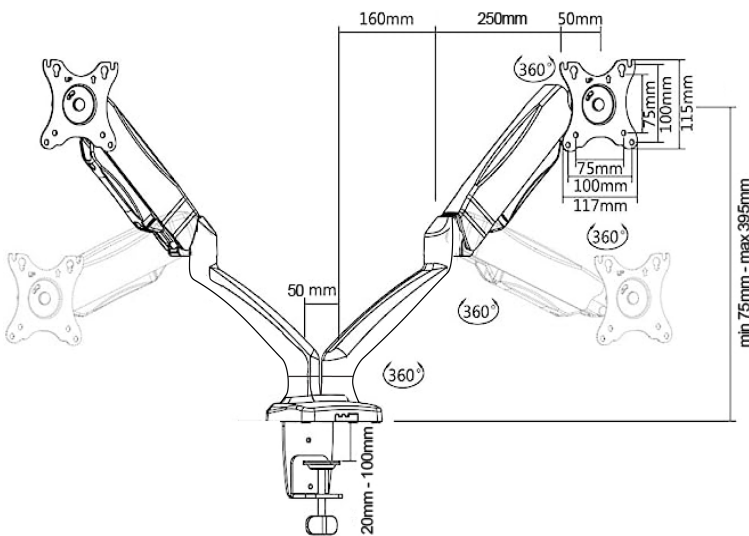
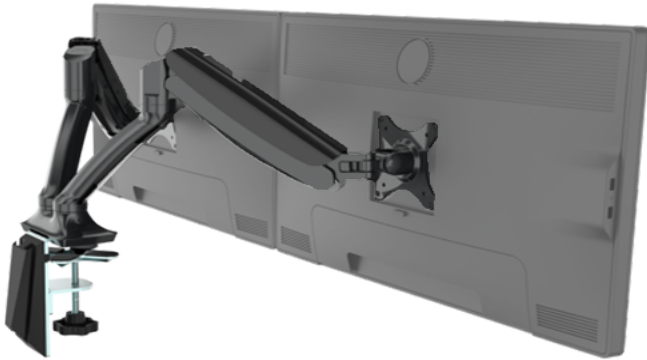


The **C900D** dual monitor arms enable a full range of motion and ensure a high degree of monitor stability. Simple and easy to install and use, C900D is ideal for lecterns, podiums, desks and AV carts.

Standard Features

- Works with 75mm and 100mm VESA patterns
- Dual arms hold most monitors 17" to 27"
- Height adjustment range is 10.5" - 18.5"
- Tool-less clamp installation makes assembly quick and easy
- Flexibility and more options for the end user with a simple, easy-to-use Allen wrench adjustment to counterbalance the weight of the monitor
- With a clamping range of .75" to 3.94" (clamp), the arm will fit to any work surface
- Enclosed cable management system hides cables
- Counterbalanced spring technology allows for a 4.4 to 19 lbs load maximum
- Clamp and grommet mounting options (through hole or edge mount)
- Tool-less thumb knobs for quick and easy adjustments & installation
- It swivels 360° around the base, and swivels monitors 360° as well
- Installs easily on any lectern, podium, desk and A/V car



Specifications

Model: C900D
Width: Max 37" Min 5.5"
Depth: 14"
Height: 18.5"
Color: Black

The information contained in this drawing is the sole property of Audio Visual Furniture International. Any reproduction in part or as a whole without the written permission of Audio Visual Furniture International is prohibited. AVFI can build or modify stock configurations to suit customer specifications. Please contact us to discuss how this service can help meet your needs. Some quantity restrictions may apply. Specification subject to change without notice. Computers, cameras, monitors, etc. are shown to illustrate product usage and are not included unless otherwise noted.