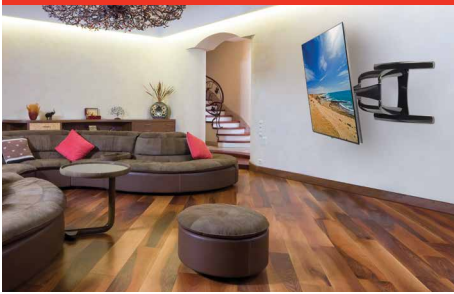


OSUA771PU



**Mounting Pattern**  
400 x 400mm  
(15.75" x 15.75")



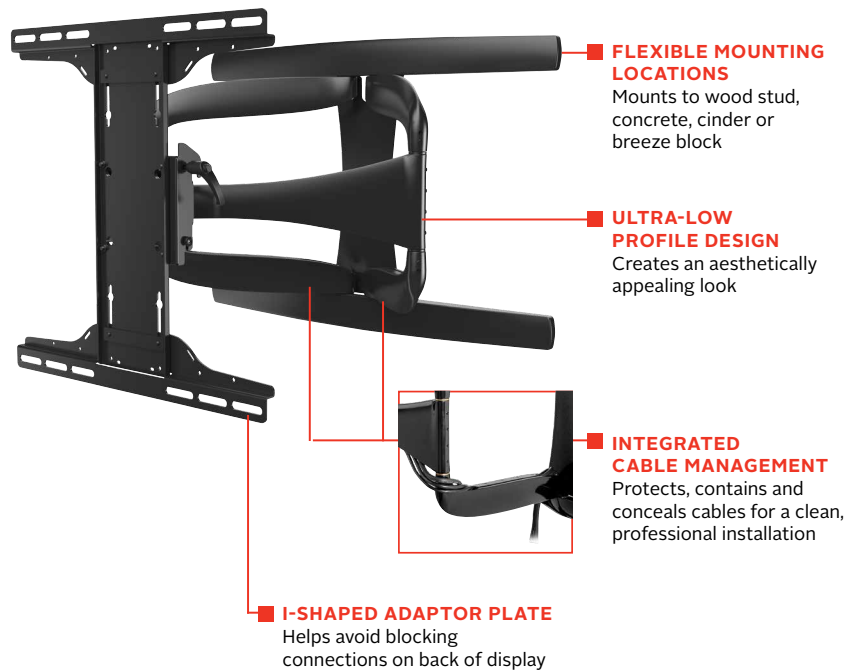
**Max Load**  
125lb  
(57kg)

# DesignerSeries™ Universal Ultra Slim Articulating Wall Mount

FOR 55" TO 77" OLED/QLED DISPLAYS\*

The DesignerSeries™ Universal OLED/QLED Articulating Mount was specifically designed for the unique features of the OLED and QLED televisions. The ultra thin glass, bottom biased VESA® pattern and bottom bump-out on the TVs require specialized features to safely mount and move your television. The ratcheting tilt head allows you to adjust the angle of your display without having to put excessive pressure on the thin OLED glass. The adaptor bracket included with the mount is sized properly so there is no interference with power inputs or HDMI connections. The contoured dual articulating arms operate smoothly to prevent unnecessary stress on your television. Internal cable management conceals your power and HDMI cabling for a clean professional look.

- Universal mount accommodates 200 x 100 to 400 x 400mm VESA® mounting patterns
- Dual-arm design enhances the stability of the articulating motion
- Arms retract to 2.87" (73mm) and extend up to 25.87" (657mm) from wall
- One-Touch™ tilt mechanism allows adjustment of +10°/-3° without the use of tools
- Up to ±72.5° of side-to-side swivel
- Added ±5° of roll for post-installation display leveling without the use of tools
- Optional roll lock keeps the display locked at 0°



Swivel, tilt, extend or retract the display for the perfect viewing angle.



Comes in color packaging with included installation hardware and easy to follow instructions.



Please visit [peerless-av.com/en-us/patents](http://peerless-av.com/en-us/patents) for patent information.

\*This display size range is simply a guideline for product selection. Displays larger than the screen size range may still be compatible as long as they fall within the VESA® pattern and max weight of the Peerless-AV® product.

**OSUA771PU** DesignerSeries™ Universal Ultra Slim Articulating Wall Mount for 55" to 77" OLED/QLED Displays

**Product Specifications**

	DIMENSIONS (W x H x D)	PRODUCT WEIGHT	LOAD CAPACITY	FINISH	AVAILABLE COLORS
<b>OSUA771PU</b>	25.60" x 16.94" x 2.87"-25.87" (650 x 430 x 73-657mm)	22.2lb (10.0kg)	125lb (57kg)	Scratch Resistant Fused Epoxy	Gloss Black

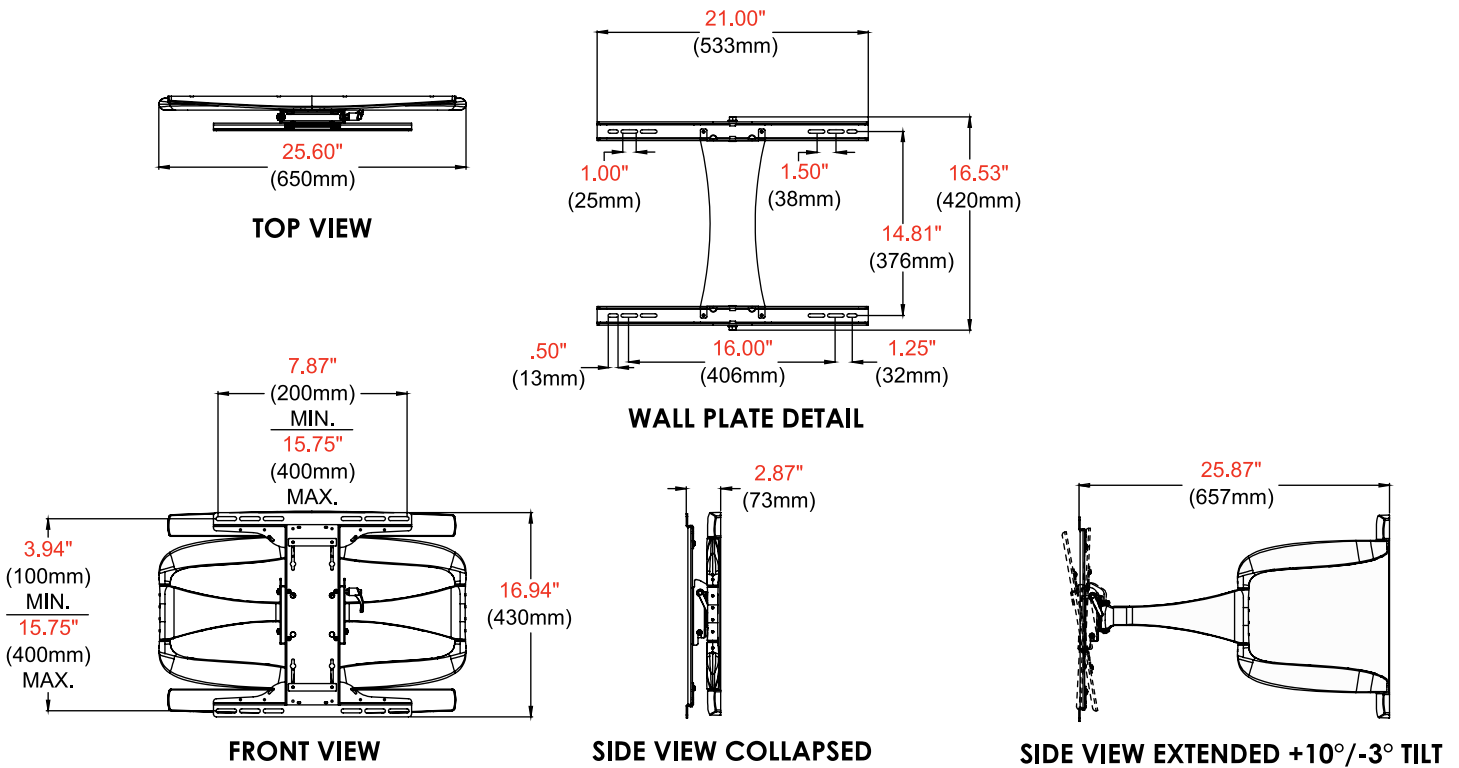
**Package Specifications**

	PACKAGE SIZE (W x H x D)	PACKAGE SHIP WEIGHT	PACKAGE UPC CODE	PACKAGE CONTENTS	UNITS IN PACKAGE
<b>OSUA771PU</b>	41.00" x 4.00" x 23.75" (1041 x 102 x 603mm)	30.8lb (14.0kg)	735029339915	Wall Mount, Wall and Display Installation Hardware, Installation Instructions	1

**Accessories**

- ACC925:** Security Fasteners
- ACC-UCM:** Universal AV Component Mount
- ESHV models:** AV Wall Shelves
- IBA2(-W), IBA2AC(-W), IBA3(-W), IBA3AC(-W):** Recessed Cable Management and Power Storage Accessory Box
- IBA4-W:** Easy Mount Recessed Low Voltage Cable Plate
- IBA5-W:** Recessed Low Voltage Media Plate with Duplex Surge Suppressor
- WSP756:** Metal Stud Wall Plate

All dimensions = inch (mm)



**Architect Specifications**

The DesignerSeries™ Universal Ultra Slim Articulating Wall Mount shall be a Peerless-AV model OSUA771PU and shall be located where indicated on the plans. Assembly and installation shall be done according to instructions provided by the manufacturer.

Visit [peerless-av.com](http://peerless-av.com) to see the complete line of AV solutions from Peerless-AV, including outdoor displays, kiosks, display mounts, projector mounts, carts/stands, and a full assortment of accessories.

**Peerless-AV**  
2300 White Oak Circle  
Aurora, IL 60502 USA  
**(800) 865-2112**  
**(630) 375-5100**  
**Fax: (800) 359-6500**

**Peerless-AV EMEA**  
Unit 3 Watford Interchange  
Colonial Way, Watford  
Herts, WD24 4WP  
United Kingdom  
**+44 (0) 1923 200100**  
**Fax: +44 (0) 1923 200101**

**Peerless-AV Latin America**  
Av. de las Industrias 413  
Parque Industrial Escobedo  
General Escobedo, N.L.,  
México, 66062  
**+52 (81) 8384-8300**  
**Fax: +52 (81) 8384-8360**

