



OVERVIEW

With a push of a button, the AND Button Kit (AND-BTN-KIT-1) enables the initiation of a hands-free two-way communication when connected to an AND PoE IP device. **See *button kit compatibility chart on page 2.***

AUDIO FUNCTIONALITY



Intercom, page, or all-call
Trigger pre-programmed text, or
privacy mode

NOTIFICATION



Trigger alerts that activate other
devices, such as a strobe or
electronic lock

SIP INTEGRATION



Enable SIP calls
Dial out pre-programmed
internal extensions and
external phone numbers

DUAL COMMANDS



Program button push and
release / push and hold modes
Accommodates up to two
extensions or phone numbers

SOFTWARE



Diagnostic software included
Compatible with third-party
software, including InformaCast,
Revolution, and Cisco CallManager

SOLUTIONS

- Paging
- Intercom
- Emergency notification

ADDITIONAL FEATURES

- Trigger alerts that activate other devices, such as a strobe
- Built-in web server
- Operates by connecting the Peripheral Interface Adapter (included) to an AND IP device

MOUNTING

- Standard junction box required for mounting

SOFTWARE

The AND-BTN-KIT-1 integrates easily with third-party mass notification software, as well as SIP and VoIP phone systems, enabling a facility to take advantage of all the device capabilities. The device also comes with diagnostic software (compatible to run alongside third-party software), and an on-board web server interface, both which provide the ability to monitor and troubleshoot the ANetD devices on the network.

Third-Party Software

- InformaCast (Singlewire)
- Revolution (Syn-Apps)
- IPSession (IPCelerate)
- MessageNet Systems
- BellComander (Acro Vista)
- And more!

VoIP Phone Systems

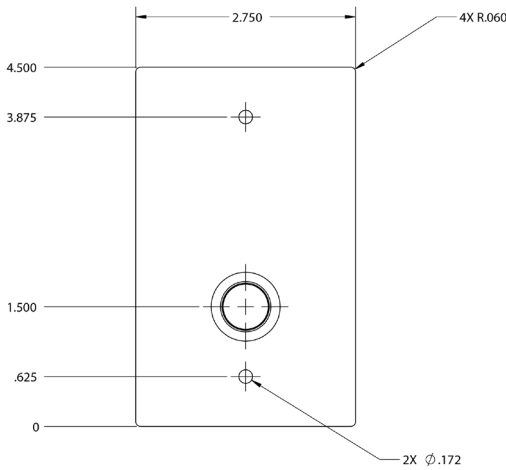
- Cisco CallManager
- Mitel
- Avaya
- 3CX
- Polycom
- And more!

IPClockWise

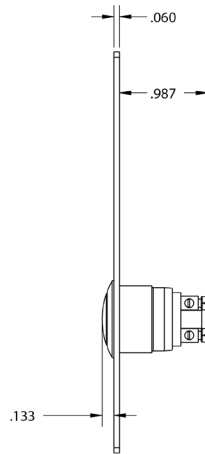
- Diagnostic tool included with device purchase
- Complements investment in third-party software
- Developed and supported by Advanced Network Devices

DIMENSIONS

Front



Side



COMPATIBILITY CHART

AND-BTN-KIT-1

IPSWDHD-MW
 IPCSHD-MB
 IPSWD-RWB
 IPCSS-RWB / IPCSS-RWB-MB
 IPCDS-RWB-U
 IPSIGNL-RWB
 IPCSL-RWB
 IPSWS-SM / IPSWS-FM... (MAC Address **20:46:f9:09:xx:xx** and lower)
 IPSCM..... (MAC Address **20:46:f9:09:xx:xx** and lower)
 ZONEC2

BTN-KIT-MIC-ND

IPSCM..... (MAC Address **20:46:f9:0a:xx:xx** and higher)
 IPSCM-RMe
 IPSWS-SM / IPSWS-FM.. (MAC Address **20:46:f9:0a:xx:xx** and higher)
 IPSWDHD-MW
 IPCSHD-MB

*Note: IPSWS-SM-O is unsupported
 Call tech support regarding discontinued models*

SPECIFICATIONS	AND-BTN-KIT-1
FACEPLATE MATERIAL	16-gauge brushed stainless steel
RATING	2a@48V DC
ELECTRICAL LIFE	200,000 cycles
SWITCH FUNCTION	Momentary ON
CIRCUIT	SPST
OPERATING TEMPERATURE	-20° TO 50° C (-4° TO 131° F)
INSTALLATION DEPTH	1" (25.4 mm)
DIMENSIONS	Plate: 2.75" W 4.5" H
WEIGHT	3.8 oz
WARRANTY	2 Year Limited

Due to continual product development, specifications are subject to change without notice.

