



OVERVIEW

The Round Ceiling Analog Speaker (ASCM-RM) is an optional accessory to a compatible ANetD IP device (listed below) to extend audio coverage for offices, hallways, classrooms, or auditoriums. The ASCM-RM ships as a single speaker.

AUDIO



8" high-efficiency speaker
Audio coverage up to
600 ft²

SOLUTIONS

- Paging
- Bell scheduling
- Code alerts
- Emergency notification
- Music streaming

ADDITIONAL REQUIREMENTS

- Requires 12 - 22 AWG 2 conductor wire

COMPATIBLE IP DEVICES

**Round Ceiling
IP Speaker**
IPSCM-RMe

HD IP Display
IPCSHD-MB

**Square Ceiling
Tile IP Speaker**
IPSCM

**IP Speaker with
Display**
IPSWD-RWB

**Surface/Flush-Mount
IP Speaker**
IPSW-SM/FM

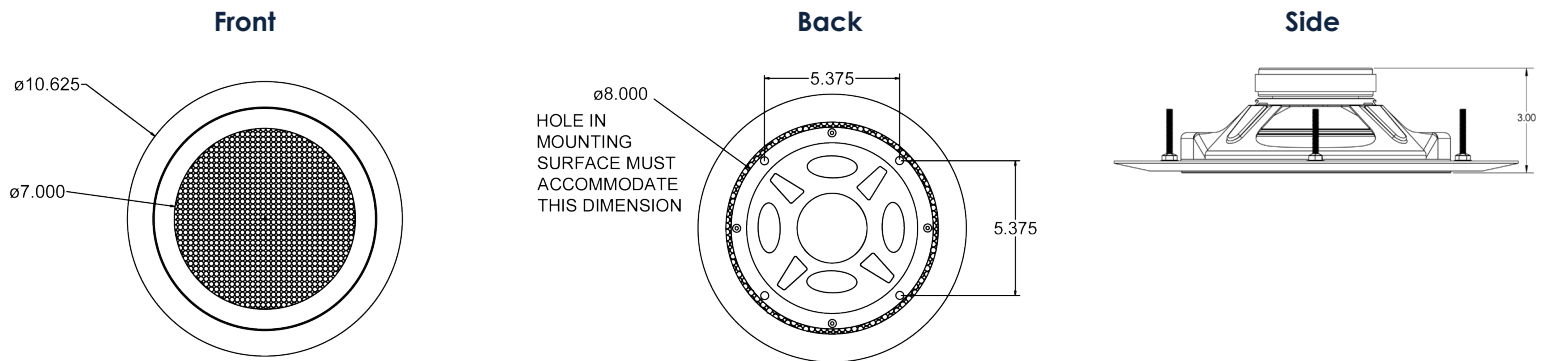
**IP Speaker with
HD Display**
IPSWDHD-MW

Small IP Display
IPCSS-RWB/MB

Large IP Display
IPCSL-RWB

Large IP Signboard
IPSIGNL-RWB

DIMENSIONS



| SPECIFICATIONS | ASCM-RM |
|-----------------------|-------------------------------|
| AUDIO POWER | 8 W / 16 W |
| SPEAKER SIZE | 8" |
| AVERAGE SENSITIVITY | 95dB, 1W /1M |
| FREQUENCY RESPONSE | 60 Hz - 17 kHz |
| AUDIO PAYLOAD TYPES | G711, A-law and μ -law |
| OPERATING TEMPERATURE | -10° TO 50° C (14° TO 122° F) |
| DIMENSIONS | 10.5" diameter x 3" deep |
| WEIGHT | 3 lbs (1.4 kg) |
| WARRANTY | 2 Year Limited |

Due to continual product development, specifications are subject to change without notice.

