

ST632(P)



Mounting Pattern
75, 100, 200 x 100,
or 200 x 200mm



Max Load
115lb
(52kg)

SMARTMOUNT®

Tilt Wall Mount

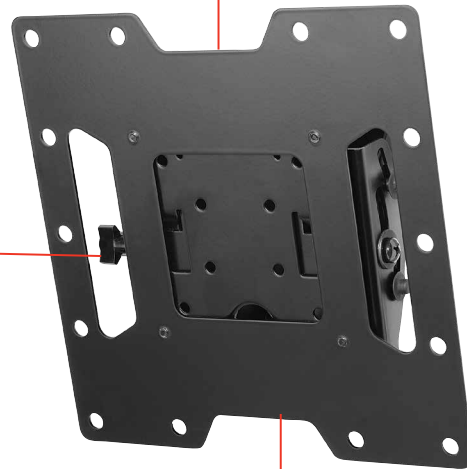
FOR 22" TO 43" DISPLAYS*

The SmartMount® Tilt Wall Mount series offers the most versatile installation features and mounting options. Quickly and easily adjust the viewing angle without the use of tools. Security screws provided in the ST632 model deter tampering and theft. The display can now simply be installed by a single person with the Hook-and-Hang™ system. The Easy-Glide™ adaptors hook onto the wall plate for an overall quick, simple and secure installation.

- Accommodates 75, 100, 200 x 100, or 200 x 200mm VESA® mounting patterns
- Adjustable 15° forward tilt and -5° backward tilt for finding the optimal viewing angle
- Tilt angle locks into place with simple tightening of thumbscrew
- Display is positioned only 1.65" (42mm) from wall for a low-profile application
- Display adaptor simply slides into the wall plate for quick and easy installation
- Includes all necessary wall and display attachment hardware
- Integrated security options available
- Design is UL listed and tested to four times stated load capacity
- For mounts requiring theft resistant hardware, installed with security tool (included), please purchase ST632
- For mounts requiring standard hardware, installed with a Philips screwdriver, please purchase ST632P

HOOK-AND-HANG™ INSTALLATION

Display is easily installed by a single person



TOOL-LESS TILT

Quickly adjust your viewing angle without tools

FLEXIBLE MOUNTING LOCATIONS

Mounts to wood stud, concrete, cinder or breeze block



+15°/-5° of tilt for versatile viewing angles.



Comes in color packaging with included installation hardware and easy to follow instructions.



Please visit peerless-av.com/en-us/patents for patent information.

*This display size range is simply a guideline for product selection. Displays larger than the screen size range may still be compatible as long as they fall within the VESA® pattern and max weight of the Peerless-AV® product.

ST632P	SmartMount® Tilt Wall Mount for 22" to 43" Displays - Standard Models
ST632	SmartMount® Tilt Wall Mount for 22" to 43" Displays - Security Models

Product Specifications

	DIMENSIONS (W x H x D)	PRODUCT WEIGHT	LOAD CAPACITY	FINISH	AVAILABLE COLORS
ST632(P)	8.75" x 8.75" x 1.65"-2.82" (222 x 222 x 42 -72mm)	3.40lb (1.54kg)	115lb (52kg)	Scratch Resistant Fused Epoxy	Semi-Gloss Black

Package Specifications

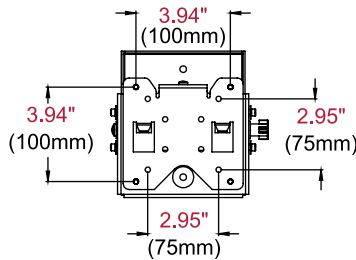
	PACKAGE SIZE (W x H x D)	PACKAGE SHIP WEIGHT	PACKAGE UPC CODE	PACKAGE CONTENTS	UNITS IN PACKAGE
ST632(P)	11.38" x 3.60" x 10.50" (289 x 91 x 267mm)	4.7lb (2.2kg)	ST632: 735029237242 ST632P: 735029237266	Wall Mount, Wall and Display Installation Hardware, Installation Instructions	1

Accessories

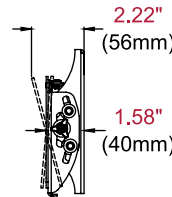
- ACC215:** 2-pack Metal Stud Fastener Kit
- ACC4X4:** VESA® 400 x 400mm Adaptor Plate
- ACC-UCM:** Universal AV Component Mount

- ESHV models:** AV Wall Shelves
- IBA4-W:** Easy Mount Recessed Low Voltage Cable Plate
- IBA5-W:** Recessed Low Voltage Media Plate with Duplex Surge Suppressor

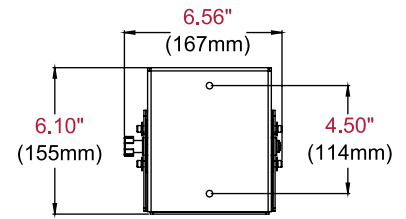
All dimensions = inch (mm)



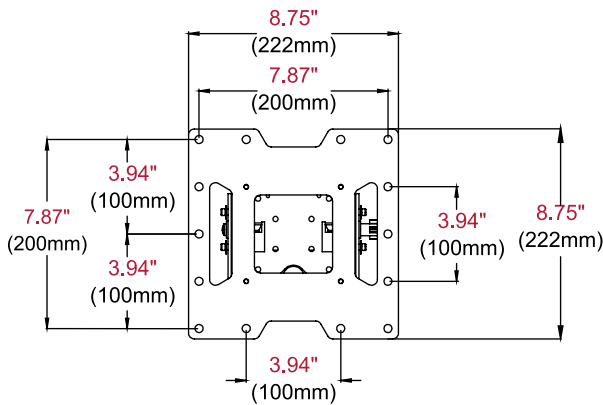
**FRONT VIEW
VESA 75/100**



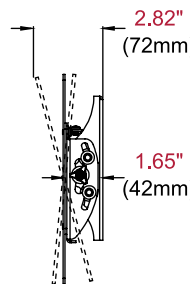
**SIDE VIEW
VESA 75/100
+15°/-5° TILT**



**WALL PLATE
DETAIL**



**FRONT VIEW
VESA 100/200**



**SIDE VIEW
VESA 100/200
+15°/-5° TILT**

Architect Specifications

The SmartMount® Tilt Wall Mount shall be a Peerless-AV model ST632(P) and shall be located where indicated on the plans. Assembly and installation shall be done according to instructions provided by the manufacturer.

Visit peerless-av.com to see the complete line of AV solutions from Peerless-AV, including outdoor displays, kiosks, digital audio, display mounts, projector mounts, carts/stands, and a full assortment of accessories.

Peerless-AV
2300 White Oak Circle
Aurora, IL 60502 USA
(800) 865-2112
(630) 375-5100
Fax: (800) 359-6500

Peerless-AV EMEA
Unit 3 Watford Interchange
Colonial Way, Watford
Herts, WD24 4WP
United Kingdom
+44 (0) 1923 200100
Fax: +44 (0) 1923 200101

Peerless-AV Latin America
Av. de las Industrias 413
Parque Industrial Escobedo
General Escobedo, N.L.,
México, 66062
+52 (81) 8384-8300
Fax: +52 (81) 8384-8360

