

ST630(P)



Mounting Pattern
75 x 75,
100 x 100mm



Max Load
80lb
(36kg)

SMARTMOUNT®

Tilt Wall Mount

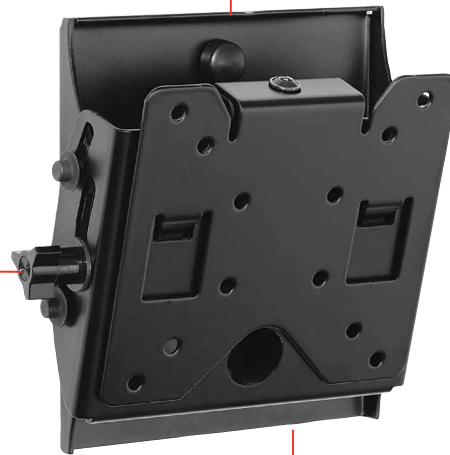
FOR 10" TO 29" DISPLAYS*

The SmartMount® Tilt Wall Mount series offers the most versatile installation features and mounting options. Quickly and easily adjust the viewing angle without the use of tools. Security screws provided in the ST630 model deter tampering and theft. The display can now simply be installed by a single person with the Hook-and-Hang™ system. The Easy-Glide™ adaptors hook onto the wall plate for an overall quick, simple and secure installation.

- Accommodates 75 x 75 or 100 x 100mm VESA® mounting patterns
- Adjustable 15° forward tilt and -5° backward tilt for finding the optimal viewing angle
- Tilt angle locks into place with simple tightening of thumbscrew
- Display is positioned only 1.58" (40mm) from wall for a low-profile application
- Display adaptor simply slides into the wall plate for quick and easy installation
- Includes all necessary wall and display attachment hardware
- Integrated security options available
- Design is UL listed and tested to four times stated load capacity
- For mounts requiring theft resistant hardware, installed with security tool (included), please purchase ST630
- For mounts requiring standard hardware, installed with a Philips screwdriver, please purchase ST630P

HOOK-AND-HANG™ INSTALLATION

Display is easily installed by a single person



TOOL-LESS TILT

Quickly adjust your viewing angle without tools

FLEXIBLE MOUNTING LOCATIONS

Mounts to wood stud, concrete, cinder or breeze block



+15°/-5° of tilt for versatile viewing angles.



Comes in color packaging with included installation hardware and easy to follow instructions.



Please visit peerless-av.com/en-us/patents for patent information.

*This display size range is simply a guideline for product selection. Displays larger than the screen size range may still be compatible as long as they fall within the VESA® pattern and max weight of the Peerless-AV® product.

ST630P	SmartMount® Tilt Wall Mount for 10" to 29" Displays - Standard Models
ST630	SmartMount® Tilt Wall Mount for 10" to 29" Displays - Security Models

Product Specifications

	DIMENSIONS (W x H x D)	PRODUCT WEIGHT	LOAD CAPACITY	FINISH	AVAILABLE COLORS
ST630(P)	6.61" x 6.20" x 1.58"-2.23" (168 x 157 x 40-57mm)	2.20lb (1.00kg)	80lb (36kg)	Scratch Resistant Fused Epoxy	Semi-Gloss Black

Package Specifications

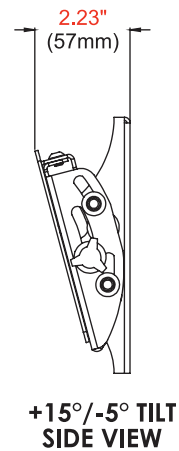
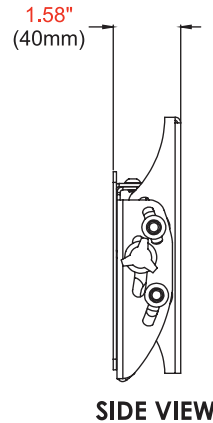
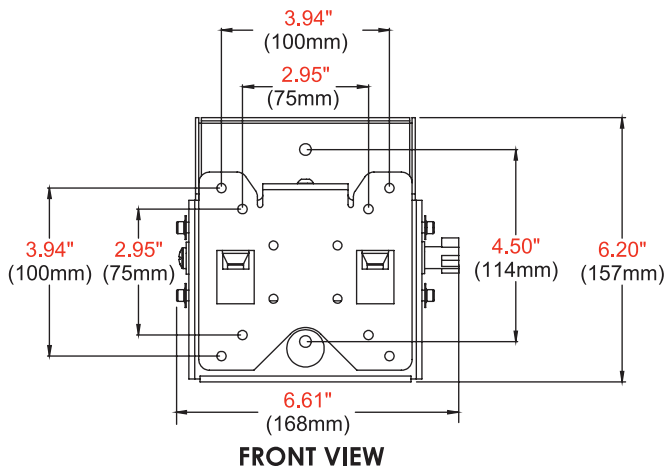
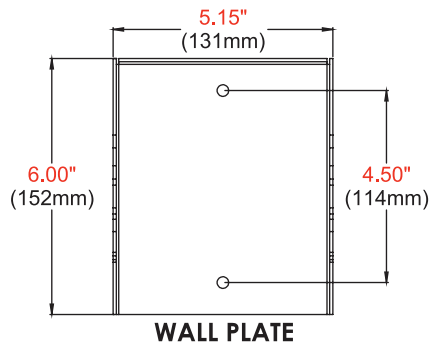
	PACKAGE SIZE (W x H x D)	PACKAGE SHIP WEIGHT	PACKAGE UPC CODE	PACKAGE CONTENTS	UNITS IN PACKAGE
ST630(P)	9.38" x 2.90" x 8.25" (238 x 74 x 210mm)	2.8lb (1.3kg)	ST630: 735029236627 ST630P: 735029236641	Wall Mount, Wall and Display Installation Hardware, Installation Instructions	1

Accessories

ACC215: 2-pack Metal Stud Fastener Kit
ACC2X1: VESA® 200 x 100mm Adaptor Plate

ESHV models: AV Wall Shelves
IBA4-W: Easy Mount Recessed Low Voltage Cable Plate
IBA5-W: Recessed Low Voltage Media Plate with Duplex Surge Suppressor

All dimensions = **inch** (mm)



Architect Specifications

The SmartMount® Tilt Wall Mount shall be a Peerless-AV model ST630(P) and shall be located where indicated on the plans. Assembly and installation shall be done according to instructions provided by the manufacturer.

Visit peerless-av.com to see the complete line of AV solutions from Peerless-AV, including outdoor displays, kiosks, digital audio, display mounts, projector mounts, carts/stands, and a full assortment of accessories.

Peerless-AV
 2300 White Oak Circle
 Aurora, IL 60502 USA
(800) 865-2112
(630) 375-5100
Fax: (800) 359-6500

Peerless-AV EMEA
 Unit 3 Watford Interchange
 Colonial Way, Watford
 Herts, WD24 4WP
 United Kingdom
+44 (0) 1923 200100
Fax: +44 (0) 1923 200101

Peerless-AV Latin America
 Av. de las Industrias 413
 Parque Industrial Escobedo
 General Escobedo, N.L.,
 México, 66062
+52 (81) 8384-8300
Fax: +52 (81) 8384-8360

