

SP740P



Mounting Pattern
100 x 100, 200 x 100,
or 200 x 200mm



Max Load
80lb
(36kg)

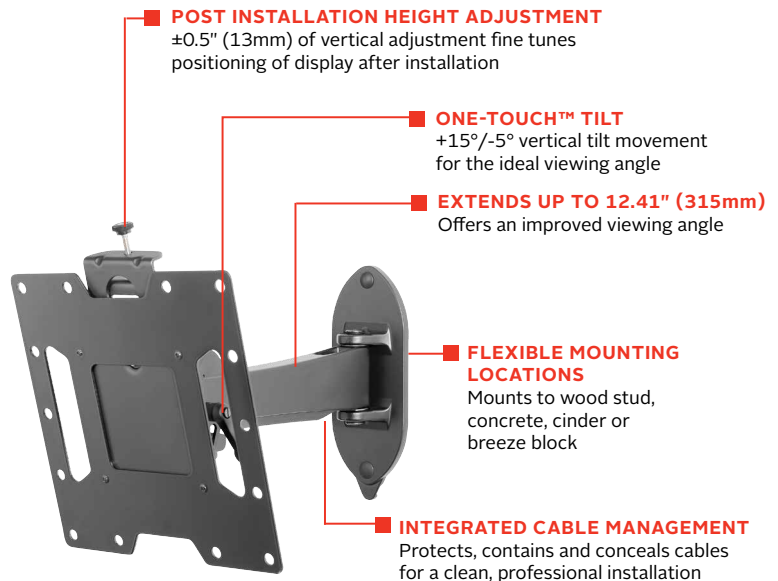
SMARTMOUNT

Pivoting Wall Mount

FOR 22" TO 43" DISPLAYS*

The SmartMount® Pivoting Wall Mount series offers the most versatile installation features and mounting options. Vertical adjustment ability allows for post installation leveling, making it easier than ever to find the perfect display position. With SP740P, extend the display up to 12.41" (315mm) or fully-retract it to just 3.03" (77mm) from the wall for an improved viewing angle. The display can now simply be installed by a single person with the Hook-and-Hang™ system. One-Touch™ tilt technology offers +15°/-5° vertical tilt movement for the ideal viewing angle. Integrated cable management protects, contains and conceals cables for a clean installation.

- Accommodates 100 x 100, 200 x 100, or 200 x 200mm VESA® mounting patterns
- Retracts to hold display just 3.03" (77mm) from the wall
- ±90° of pivot allows for perfect display positioning
- Easy leveling ±5° after display installation
- Quick and easy, Hook-and-Hang™ one-person installation
- Landscape or portrait mounting options increases display versatility
- Includes all necessary wall and display attachment hardware
- Design is UL listed and tested to four times stated load capacity



Extend, turn, tilt, or retract the display for an improved viewing angle.



Integrated cable management keeps cords and cables out of the way.



Comes in color packaging with included installation hardware and easy to follow instructions.



Please visit peerless-av.com/en-us/patents for patent information.

*This display size range is simply a guideline for product selection. Displays larger than the screen size range may still be compatible as long as they fall within the VESA® pattern and max weight of the Peerless-AV® product.

✉ info@peerless-av.com
🌐 peerless-av.com

peerless-AV®
Driving Technology Through Innovation

SP740P	SmartMount® Pivoting Wall Mount for 22" to 43" Displays
---------------	---

Product Specifications

	DIMENSIONS (W x H x D)	PRODUCT WEIGHT	LOAD CAPACITY	FINISH	AVAILABLE COLORS
SP740P	15.35" x 10.15" x 3.03"-12.41" (390 x 258 x 77-315mm)	5.40lb (2.45kg)	80lb (36kg)	Scratch Resistant Fused Epoxy	Semi-gloss black

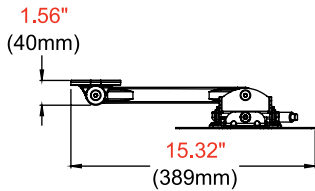
Package Specifications

	PACKAGE SIZE (W x H x D)	PACKAGE SHIP WEIGHT	PACKAGE UPC CODE	PACKAGE CONTENTS	UNITS IN PACKAGE
SP740P	20.50" x 4.19" x 12.00" (521 x 106 x 305mm)	6.2lb (2.8kg)	735029237341	Wall Mount, Wall and Display Installation Hardware, Installation Instructions	1

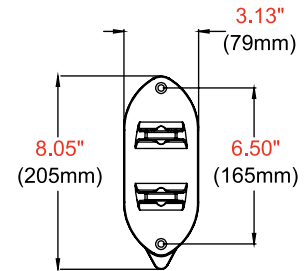
Accessories

ACC4X4: VESA® 400 x 400mm Adaptor Plate	IBA4-W: Easy Mount Recessed Low Voltage Cable Plate
ACC-UCM: Universal AV Component Mount	IBA5-W: Recessed Low Voltage Media Plate with Duplex Surge Suppressor
ESHV models: AV Wall Shelves	WSP700/WSP701: Metal Stud Wall Plates for 16"/24" Center Metal Studs

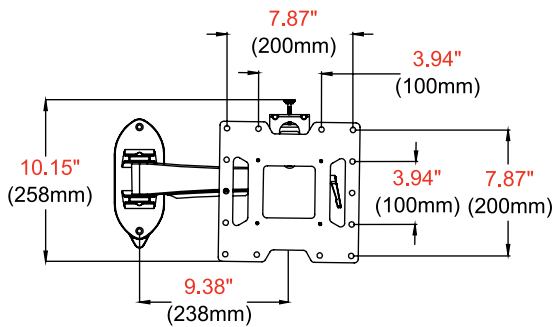
All dimensions = **inch** (mm)



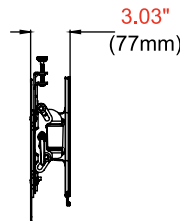
TOP VIEW



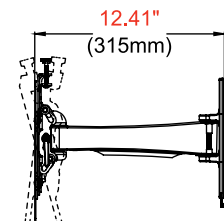
**WALL PLATE
DETAIL**



FRONT VIEW



**SIDE VIEW
COLLAPSED**



**SIDE VIEW EXTENDED
+15°/-5° TILT**

Architect Specifications

The SmartMount® Pivoting Wall Mount shall be a Peerless-AV model SP740P and shall be located where indicated on the plans. Assembly and installation shall be done according to instructions provided by the manufacturer.

Visit peerless-av.com to see the complete line of AV solutions from Peerless-AV, including outdoor displays, wireless, kiosks, digital audio, display mounts, projector mounts, carts/stands, and a full assortment of accessories.

Peerless-AV
2300 White Oak Circle
Aurora, IL 60502 USA
(800) 865-2112
(630) 375-5100
Fax: (800) 359-6500

Peerless-AV EMEA
Unit 3 Watford Interchange
Colonial Way, Watford
Herts, WD24 4WP
United Kingdom
+44 (0) 1923 200100
Fax: +44 (0) 1923 200101

Peerless-AV Latin America
Ave de las Industrias 413
Parque Industrial Escobedo
Escobedo, N.L.,
Mexico 66062
+52 (81) 8384-8300
Fax: +52 (81) 8384-8360

