

SF660(P)



Mounting Pattern
824 x 405mm
(32.44" x 15.95")



Max Load
200lb
(91kg)

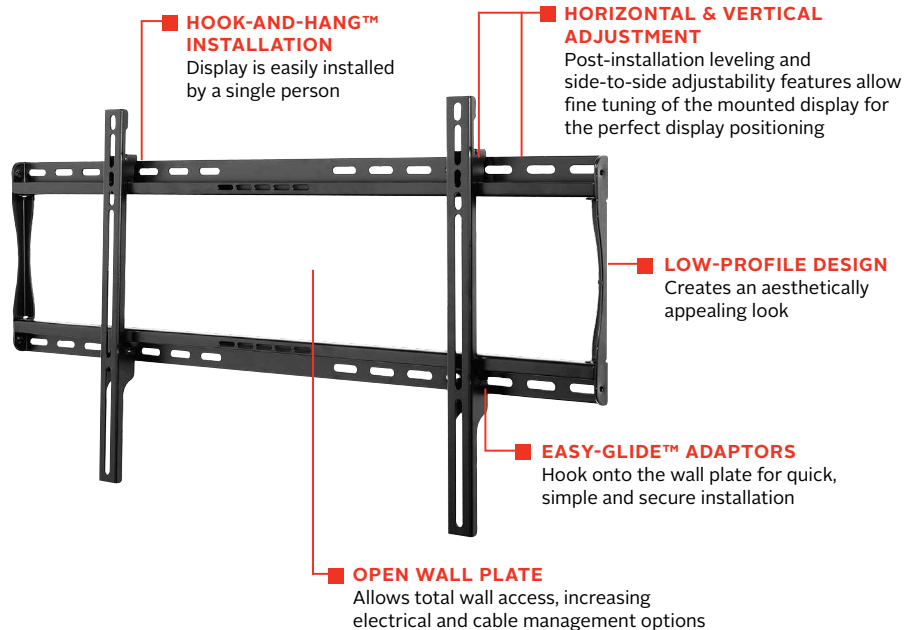
SMARTMOUNT.

Universal Flat Wall Mount

FOR 39" TO 80" DISPLAYS*

The SmartMount® Universal Flat Wall Mount series offers the most versatile installation features and mounting options. Horizontal and vertical adjustment abilities allow for post installation leveling and side-to-side positioning, making it easier than ever to find the perfect TV position. The SF660(P) models' low-profile design offers a sleek, aesthetically pleasing look to fit into any décor. Security screws provided in the SF660 models deter tampering and theft. The open wall plate design offers total wall access, increasing the electrical and cable management options. The display can now simply be installed by a single person with the Hook-and-Hang™ system. The Easy-Glide™ adaptors hook onto the wall plate for an overall quick, simple and secure installation.

- Universal mount fits displays with mounting patterns up to 824 x 405mm (32.44" W x 15.95" H) and accommodates up to 800 x 400mm VESA® patterns
- Low-profile design holds display only 1.20" (30mm)
- Up to 0.25" (6mm) of vertical adjustment on each universal display adaptor bracket for post-installation leveling and height adjustment fine-tuning
- Horizontal display adjustment up to 8.00" (203mm) for centering display on wall
- Includes all necessary wall and display attachment hardware
- Integrated security options available
- Design is UL listed and tested to four times stated load capacity
- For mounts requiring theft resistant hardware, installed with security tool (included), please purchase SF660
- For mounts requiring standard hardware, installed with a Philips screwdriver, please purchase SF660P



Please visit peerless-av.com/en-us/patents for patent information.



Low-profile design for a sleek, yet compact installation.



Comes in color packaging with included installation hardware and easy to follow instructions.

*This display size range is simply a guideline for product selection. Displays larger than the screen size range may still be compatible as long as they fall within the VESA® pattern and max weight of the Peerless-AV® product.

SF660P	SmartMount® Universal Flat Wall Mount for 39" to 80" Displays - Standard Models
SF660	SmartMount® Universal Flat Wall Mount for 39" to 80" Displays - Security Models

Product Specifications

	DIMENSIONS (W x H x D)	PRODUCT WEIGHT	LOAD CAPACITY	FINISH	AVAILABLE COLORS
SF660(P)	34.12" x 16.89" x 1.20" (867 x 429 x 30mm)	5.60lb (2.54kg)	200lb (91kg)	Scratch Resistant Fused Epoxy	Semi-Gloss Black

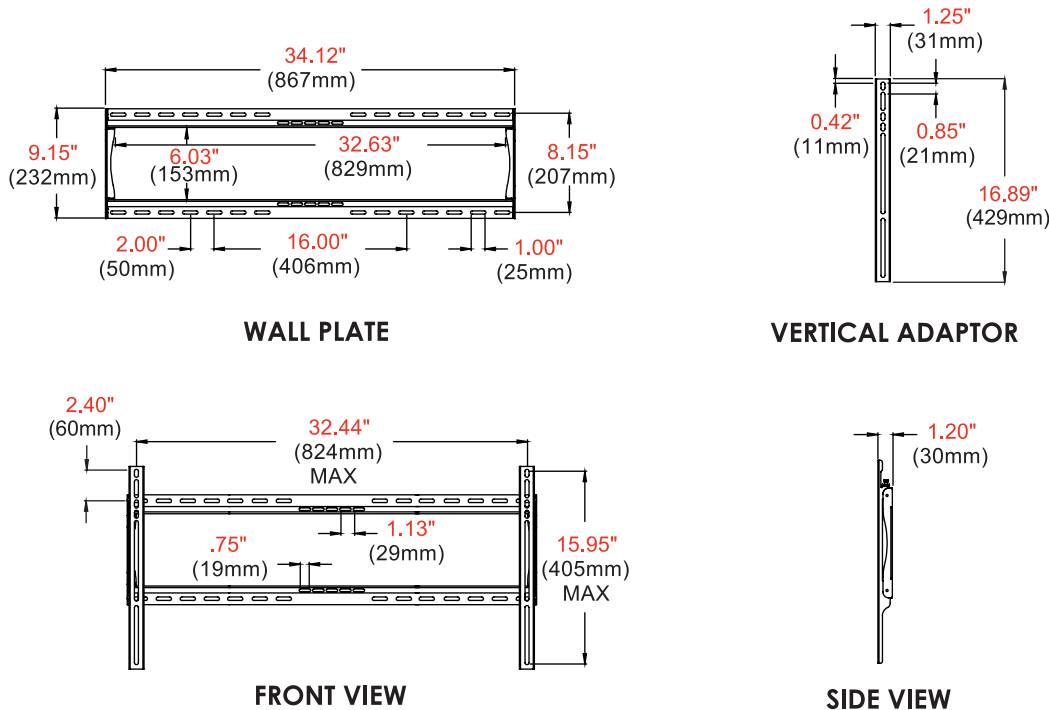
Package Specifications

	PACKAGE SIZE (W x H x D)	PACKAGE SHIP WEIGHT	PACKAGE UPC CODE	PACKAGE CONTENTS	UNITS IN PACKAGE
SF660(P)	36.41" x 1.57" x 10.71" (925 x 40 x 272mm)	7.60lb (3.45kg)	SF660: 735029235590 SF660P: 735029235620	Wall Mount, Wall and Display Installation Hardware, Installation Instructions	1

Accessories

ACC309:	Video Conference Shelf	ACSBR1:	Universal Sound Bar Mounting Kit
ACC415:	4-pack Metal Stud Fastener Kit	ESHV models:	AV Wall Shelves
ACC925:	Security Fasteners for V200x200 to V800x400 Mounts	IBA4-W:	Easy Mount Recessed Low Voltage Cable Plate
ACC-M835:	Security Fast-Pack, M8x25 & M8x35	IBA5-W:	Recessed Low Voltage Media Plate w/ Duplex Surge Protector
ACC-UCM:	Universal AV Component Mount	IB14X9-W:	14x9" In-Wall Box
ACC-V600X:	600mm Extension for 400mm Adaptors	IB14X9-AC-W:	14x9" In-Wall Box with Duplex Surge Protector
ACC-V900X:	600, 800 or 900mm Extension for 400mm Adaptors	IB14X14-W:	14x14" In-Wall Box
ACC-WMVCS:	Video Conferencing Shelf	IB14X14-AC-W:	14x14" In-Wall Box with Duplex Surge Protector

All dimensions = inch (mm)



Architect Specifications

The SmartMount® Universal Flat Wall Mount shall be a Peerless-AV model SF660(P) and shall be located where indicated on the plans. Assembly and installation shall be done according to instructions provided by the manufacturer.

Visit peerless-av.com to see the complete line of AV solutions from Peerless-AV, including outdoor displays, kiosks, display mounts, projector mounts, carts/stands, and a full assortment of accessories.

Peerless-AV
2300 White Oak Circle
Aurora, IL 60502 USA
(800) 865-2112
(630) 375-5100
Fax: (800) 359-6500

Peerless-AV EMEA
Unit 3 Watford Interchange
Colonial Way, Watford
Herts, WD24 4WP
United Kingdom
+44 (0) 1923 200100
Fax: +44 (0) 1923 200101

Peerless-AV Latin America
Av. de las Industrias 413
Parque Industrial Escobedo
General Escobedo, N.L.,
México, 66062
+52 (81) 8384-8300
Fax: +52 (81) 8384-8360

