

SA761PU



Mounting Pattern
600 x 400mm
(23.62" x 15.75")



Max Load
125lb
(57kg)

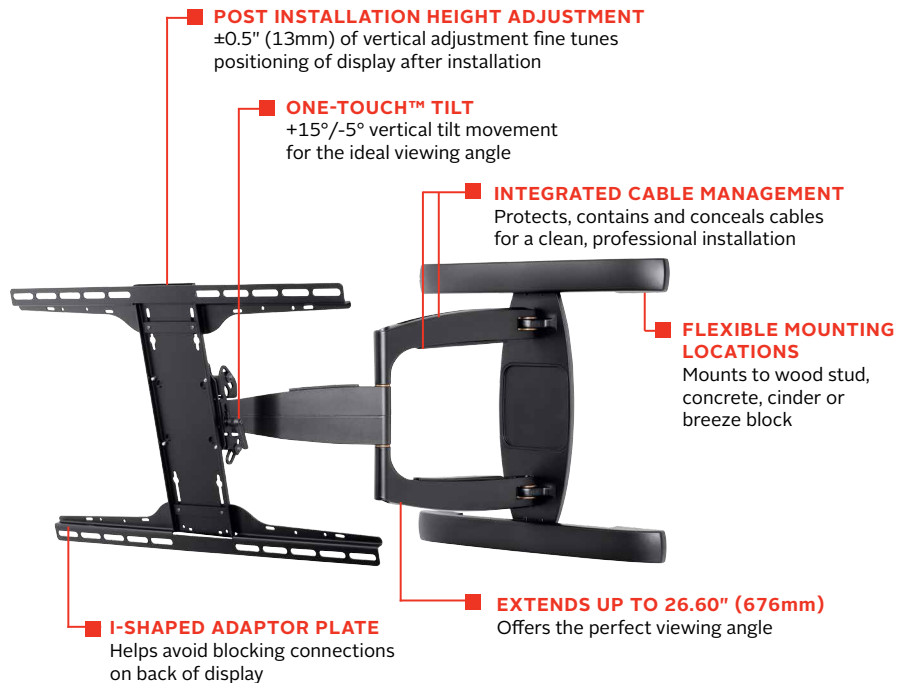
SMARTMOUNT

Articulating Wall Arm

FOR 39" TO 75" DISPLAYS

The SmartMount® Articulating Wall Arm series offers the most versatile installation features and mounting options. The I-Shaped Adaptor plate's innovative design helps avoid blocking connections on back of display. Vertical adjustment ability allows for post installation leveling, making it easier than ever to find the perfect display position. With SA761PU, extend the display up to 26.60" (676mm) or fully-retract it to just 3.10" (79mm) from the wall for the perfect viewing position. The display can now simply be installed by a single person with the Hook-and-Hang™ system. One-Touch™ tilt technology offers +15°/-5° vertical tilt movement for the ideal viewing angle. Integrated cable management protects, contains and conceals cables for a clean installation.

- Universal mount accommodates 200 x 100 to 600 x 400mm VESA® mounting patterns
- Retracts to hold display just 3.10" (79mm) from the wall
- ±90° of pivot allows for perfect display positioning
- Easy leveling ±5° after display installation
- Quick and easy, Hook-and-Hang™ one-person installation
- Landscape or portrait mounting options increases display versatility
- Stylish wall plate covers create a finished look and are easy to install and remove
- Open wall plate design increases electrical and cable management options
- Removable cover for wall plate knockout included
- Includes all necessary wall and display attachment hardware
- Design is UL listed and tested to four times stated load capacity



Swivel, tilt, extend or retract the display for the perfect viewing angle.



Integrated cable management keeps cords and cables out of the way.



Comes in color packaging with included installation hardware and easy to follow instructions.



Please visit peerless-av.com/en-us/patents for patent information.

✉ info@peerless-av.com
🌐 peerless-av.com

peerless-AV®
Driving Technology Through Innovation

SA761PU	SmartMount® Articulating Wall Arm for 39" to 75" Displays
----------------	---

Product Specifications

	DIMENSIONS (W x H x D)	PRODUCT WEIGHT	LOAD CAPACITY	FINISH	AVAILABLE COLORS
SA761PU	24.50" x 19.87" x 3.10"-26.60" (622 x 505 x 79-676mm)	24.5lb (11.1kg)	125lb (57kg)	Scratch Resistant Fused Epoxy	Semi-Gloss Black

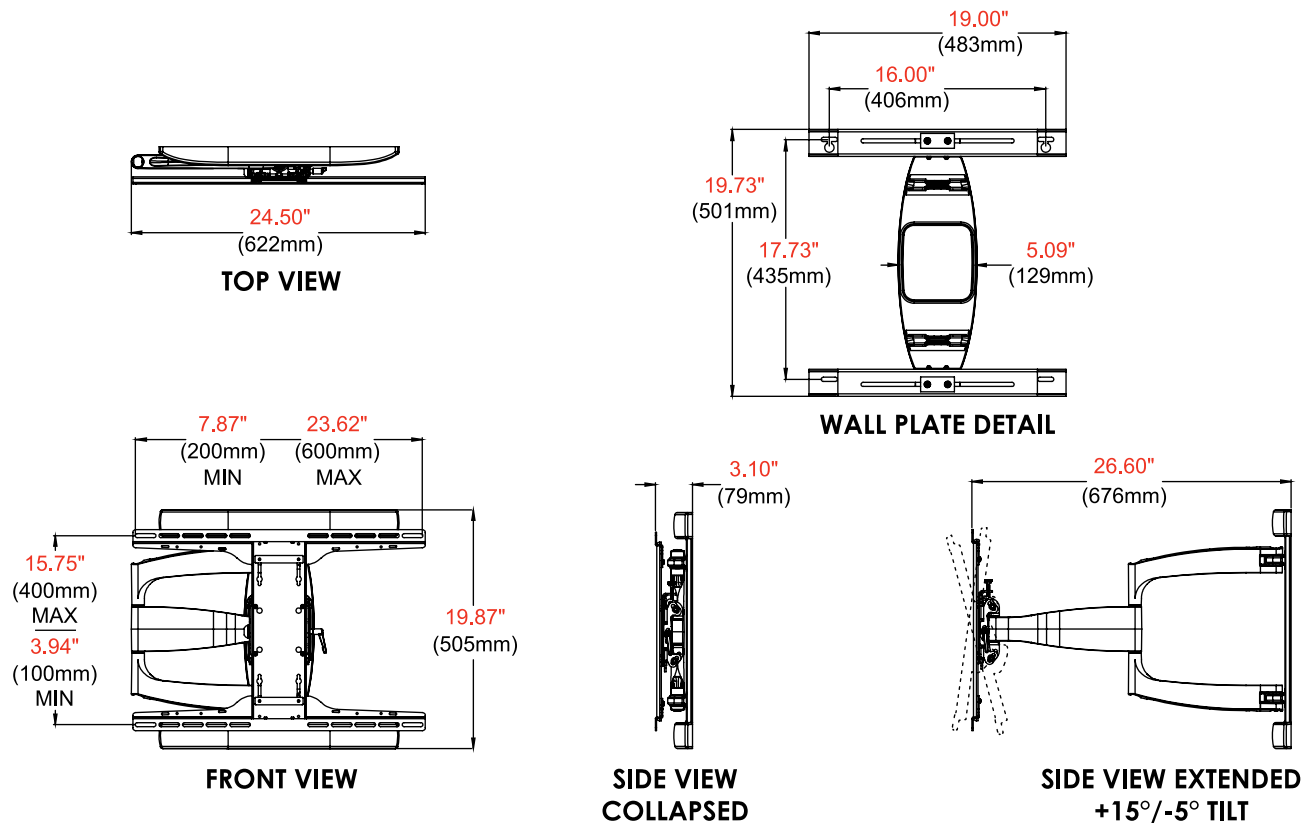
Package Specifications

	PACKAGE SIZE (W x H x D)	PACKAGE SHIP WEIGHT	PACKAGE UPC CODE	PACKAGE CONTENTS	UNITS IN PACKAGE
SA761PU	40.75" x 23.75" x 4.75" (1035 x 603 x 121mm)	33.6lb (15.2kg)	00735029266587	Wall Mount, Wall and Display Installation Hardware, Installation Instructions	1

Accessories

- ACCXT400:** Recessed Power Outlet with Low Voltage In-Wall Cable Routing
- IBA4-W:** Easy Mount Recessed Low Voltage Cable Plate
- IBA5-W:** Recessed Low Voltage Media Plate with Duplex Surge Suppressor
- WSP756:** Metal Stud Wall Plate

All dimensions = inch (mm)



Architect Specifications

The SmartMount® Articulating Wall Arm shall be a Peerless-AV model SA761PU and shall be located where indicated on the plans. Assembly and installation shall be done according to instructions provided by the manufacturer.

Visit peerless-av.com to see the complete line of AV solutions from Peerless-AV, including outdoor displays, wireless, kiosks, digital audio, display mounts, projector mounts, carts/stands, and a full assortment of accessories.

Peerless-AV
2300 White Oak Circle
Aurora, IL 60502 USA
(800) 865-2112
(630) 375-5100
Fax: (800) 359-6500

Peerless-AV EMEA
Unit 3 Watford Interchange
Colonial Way, Watford
Herts, WD24 4WP
United Kingdom
+44 (0) 1923 200100
Fax: +44 (0) 1923 200101

Peerless-AV Latin America
Ave de las Industrias 413
Parque Industrial Escobedo
Escobedo, N.L.,
Mexico 66062
+52 (81) 8384-8300
Fax: +52 (81) 8384-8360

