

PTM400
PTM400S



Max Load
5lb (2.3kg)

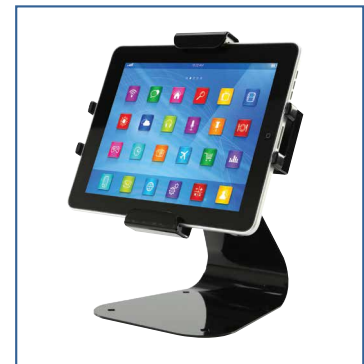
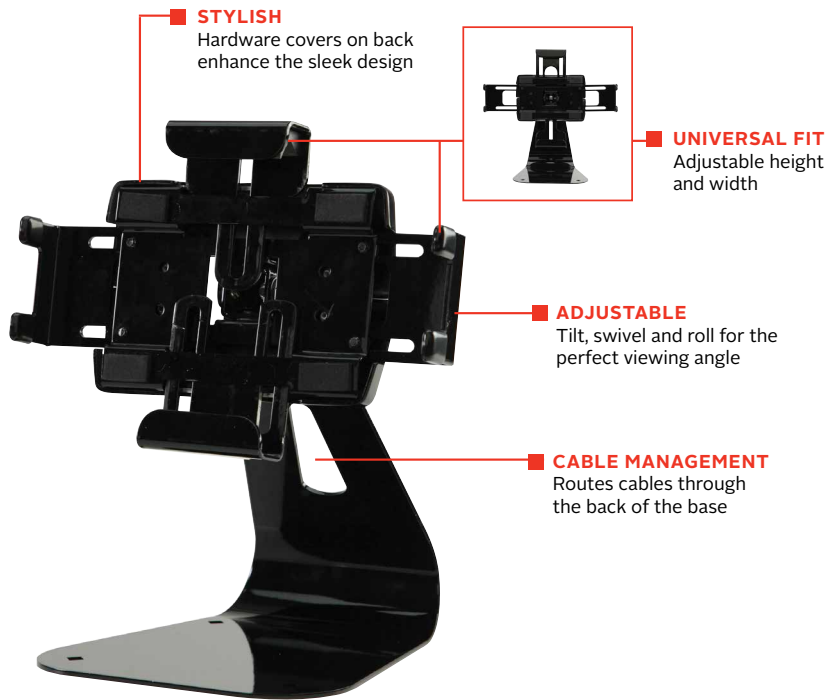
Universal Desktop Tablet Mount

FOR TABLETS LESS THAN 0.75" (19mm) DEEP

Peerless-AV® makes it simple to mount almost any tablet with the PTM400(S). With its width and height adjustable cradle, this versatile, universal desktop mount adapts to virtually any tablet, securing it tightly into place. Its sleek design, along with thirty degrees of tilt and swivel and three hundred sixty degrees of roll, make it just as functional as it is stylish. Available in a theft-resistant security version or Phillips head version, the PTM400(S) is a great accessory for any desktop workspace.

- Cradle provides adjustable height and width, providing a universal fit for most tablets
- Stylish cover for complementary aesthetics
- ±30° of One-Touch™ tilt and swivel
- 360° of roll for versatile placement options
- Option to place on desk or secure down with theft resistant security screws
- Tablet can be rotated from landscape to portrait without removing the tablet

Note: Tablet not included



Shown with iPad2

Patented. Design Patent No. D650,774, D650,372.

PTM400S	Universal Desktop Tablet Mount for Tablets less than 0.75" (19mm) deep - includes theft resistant hardware
PTM400	Universal Desktop Tablet Mount for Tablets less than 0.75" (19mm) deep - includes standard hardware

Product Specifications

	DIMENSIONS (W x H x D)	PRODUCT WEIGHT	LOAD CAPACITY	FINISH	AVAILABLE COLORS
PTM400(S)	6.71"-11.21" x 9.35"-11.34" x 7.02" (170-285 x 237-288 x 178mm)	3.77lb (1.71kg)	5 lb (2.27kg)	TGIC Polyester Powder Coat	Black

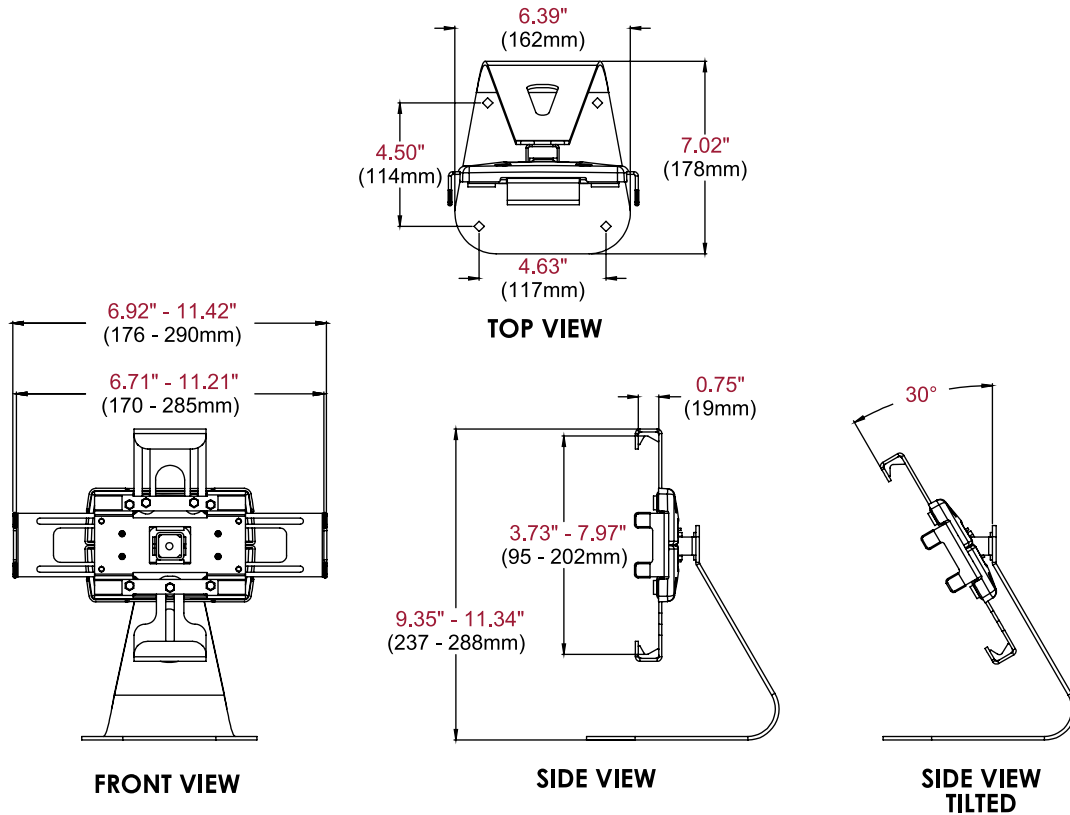
Package Specifications

	PACKAGE SIZE (W x H x D)	PACKAGE SHIP WEIGHT	PACKAGE UPC CODE	PACKAGE CONTENTS	UNITS IN PACKAGE
PTM400(S)	10.00" x 8.00" x 10.00" (254 x 203 x 254mm)	5.00lb (2.27kg)	PTM400: 735029282143 PTM400S: 735029282174	Desktop Mount and Attachment Hardware	1

Accessories

ACC954: Theft Resistant Security Kit

All dimensions = inch (mm)



Architect Specifications

The Universal Desktop Tablet Mount shall be a Peerless-AV model PTM400(S) and shall be located where indicated on the plans. Assembly and installation shall be done according to instructions provided by the manufacturer.

Visit peerless-av.com to see the complete line of AV solutions from Peerless-AV, including outdoor displays, wireless, kiosks, digital audio, display mounts, projector mounts, carts/stands, and a full assortment of accessories.

Peerless-AV
2300 White Oak Circle
Aurora, IL 60502 USA
(800) 865-2112
(630) 375-5100
Fax: (800) 359-6500

Peerless-AV EMEA
Unit 3 Watford Interchange
Colonial Way, Watford
Herts, WD24 4WP
United Kingdom
+44 (0) 1923 200100
Fax: +44 (0) 1923 200101

Peerless-AV Latin America
Ave de las Industrias 413
Parque Industrial Escobedo
Escobedo, N.L.,
Mexico 66062
+52 (81) 8384-8300
Fax: +52 (81) 8384-8360

