

PT630



Mounting Pattern
75 x 75,
100 x 100mm



Max Load
50lb
(23kg)

PARAMOUNT™ Tilting Wall Mount

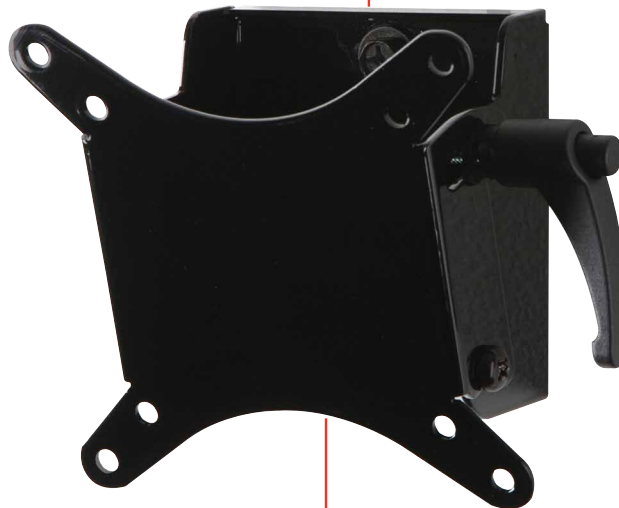
FOR 10" TO 29" DISPLAYS*

The Paramount™ series wall mounts provide versatile and multi-functional features. With PT630, a low-profile design positions the display just 2.01" (51mm) from the wall. The Hook-and-Hang™ system offers easy, one-person installation of the display. A ratcheting handle provides locking tilt capability for quick adjustments to the amount of tilt, reducing glare and optimizing the viewing angle.

- Accommodates 75 x 75 or 100 x 100mm VESA® mounting patterns
- Adjustable 15° forward tilt and 5° backward tilt for finding the optimal viewing angle
- Display is positioned only 2.01" (51mm) from wall for a low-profile application
- Includes all necessary wall and display attachment hardware
- Design is UL listed and tested to four times stated load capacity

HOOK-AND-HANG™ INSTALLATION

Display is easily installed by a single person



LOCKING TILT

Lock the display at any angle with the ratcheting handle

FLEXIBLE MOUNTING LOCATIONS

Mounts to wood stud, concrete, cinder or breeze block



Please visit peerless-av.com/en-us/patents for patent information.



15°/-5° of tilt for versatile viewing angles.



Comes in color packaging with included installation hardware and easy to follow instructions.

*This display size range is simply a guideline for product selection. Displays larger than the screen size range may still be compatible as long as they fall within the VESA® pattern and max weight of the Peerless-AV® product.

PT630 Paramount™ Tilting Wall Mount for 10" to 29" Displays

Product Specifications

	DIMENSIONS (W x H x D)	PRODUCT WEIGHT	LOAD CAPACITY	FINISH	AVAILABLE COLORS
PT630	5.43" x 4.50" x 2.01"-2.98" (138 x 114 x 51-76mm)	0.90lb (0.41kg)	50lb (23kg)	Scratch Resistant Fused Epoxy	Gloss Black

Package Specifications

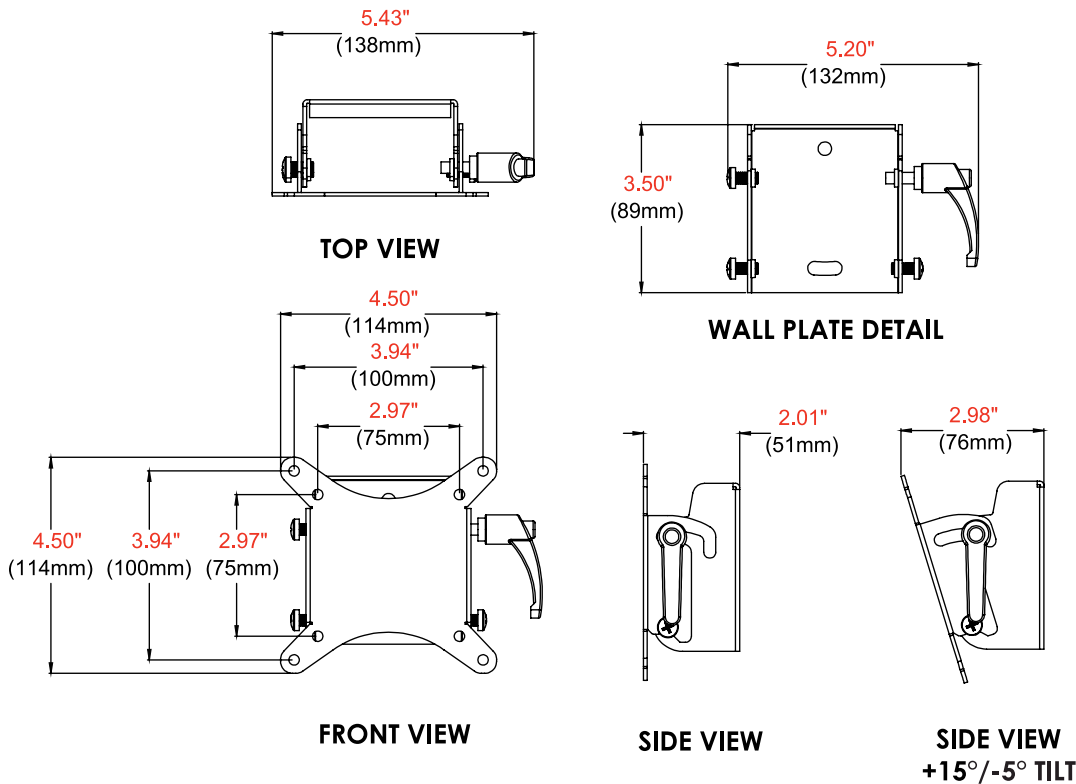
	PACKAGE SIZE (W x H x D)	PACKAGE SHIP WEIGHT	PACKAGE UPC CODE	PACKAGE CONTENTS	UNITS IN PACKAGE
PT630	5.51" x 2.60" x 7.24" (140 x 66 x 184mm)	1.45lb (0.66kg)	735029252320	Wall Mount, Wall and Display Installation Hardware, Installation Instructions	1

Accessories

ACC215: 2-pack Metal Stud Fastener Kit
ACC2X1: VESA® 200 x 100mm Adaptor Plate

ESHV models: AV Wall Shelves
IBA4-W: Easy Mount Recessed Low Voltage Cable Plate
IBA5-W: Recessed Low Voltage Media Plate with Duplex Surge Suppressor

All dimensions = inch (mm)



Architect Specifications

The Paramount™ Tilting Wall Mount shall be a Peerless-AV model PT630 and shall be located where indicated on the plans. Assembly and installation shall be done according to instructions provided by the manufacturer.

Visit peerless-av.com to see the complete line of AV solutions from Peerless-AV, including outdoor displays, kiosks, display mounts, projector mounts, carts/stands, and a full assortment of accessories.

Peerless-AV
 2300 White Oak Circle
 Aurora, IL 60502
 USA
(800) 865-2112
(630) 375-5100

Peerless-AV EMEA
 Unit 2 Curo Park
 Frogmore, St. Albans
 Hertfordshire, AL2 2DD
 United Kingdom
+44 (0) 1923 200 100

Peerless-AV B.V.
 Papendorpseweg 75
 3528 BJ Utrecht
 The Netherlands
+31 (0) 70 770 8037

Peerless-AV Latin America
 Av. de las Industrias 413
 Parque Industrial Escobedo
 General Escobedo, N.L.,
 México, 66062
+52 (81) 8384-8300

