

PLCK-UNL  
PLCK-1



**Max Load**  
150lb  
(68.2kg)

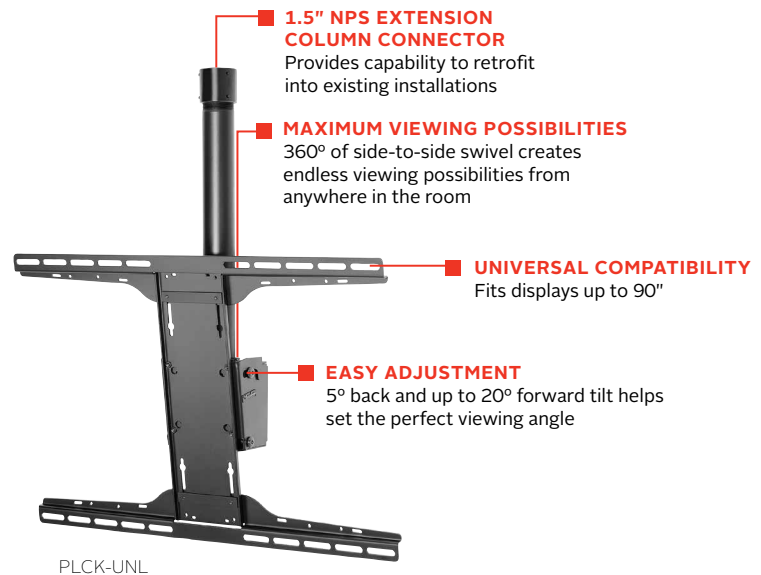
**SMARTMOUNT.**

# Ceiling Mounts with 1.5" NPS Coupler

FOR UP TO 90" DISPLAYS

The SmartMount® PLCK Ceiling Mounts utilize 1.5" NPT extension pipes for versatility, support, and connection. The 1.5" NPT threaded pipes make it simple to customize each mount to your specific application. The PLCK-1 kit combines the PLCKM-2 tilt box, EXT018 1.5" NPT extension column, and a 1.5" NPS coupler, to easily retrofit existing installations. When combined with Peerless-AV's universal I-shaped or dedicated display adaptor, it provides the perfect combination for retrofitting flat panel ceiling mounts in sports facilities, airports, lobbies, or retail environments.

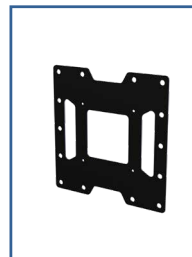
- Includes a 1.5" NPS threaded coupling enabling retrofit to existing 1.5" NPT or NPS connections
- -5° to 20° adjustable tilt and 360° swivel
- Peerless-AV® EXT018 Aluminum Extension Column included, providing a 17.44" drop
- Simple hook-on display installation
- PLCK-UNL's Universal I-Shaped Adaptor fits displays with mounting holes up to 600 x 400mm
- VESA® 75 x 75 and 100 x 100mm mounting pattern provided with PLCK-1 (display mounting hardware ACC918 not included)
- Additional display mounting adaptor plates available for PLCK-1 (sold separately)
- Universal I-Shaped Adaptor mounts display in landscape or portrait orientation with PLCK-UNL
- Integrated cable management protects, contains and conceals cables for a clean, professional installation



PLCK-UNL



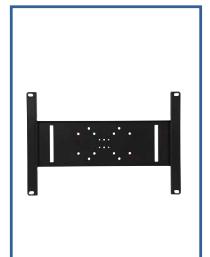
PLCK-1  
(Display Adaptor  
sold separately)



VESA® 200 x 100 and  
200 x 200mm Adaptor Plate  
ACC450, sold separately



Universal I-Shaped  
Adaptor Plate PLP-UNM,  
sold separately



Dedicated Adaptor Plates  
PLP-V models  
(For use with PLCK-1)



RoHS



TAA  
COMPLIANT

Please visit [peerless-av.com/en-us/patents](http://peerless-av.com/en-us/patents) for patent information.

✉ [info@peerless-av.com](mailto:info@peerless-av.com)

🌐 [peerless-av.com](http://peerless-av.com)

**peerless-AV®**  
Driving Technology Through Innovation

<b>PLCK-1</b>	SmartMount® Ceiling Mount with 1.5" NPS Coupler for up to 90" Displays
<b>PLCK-UNL</b>	SmartMount® Ceiling Mount with 1.5" NPS Coupler and Universal I-Shaped Adaptor for 32" to 90" Displays

**Product Specifications**

	DIMENSIONS (W x H x D)	PRODUCT WEIGHT	LOAD CAPACITY	FINISH	AVAILABLE COLORS
<b>PLCK-1</b>	5.52" x 20.00" x 3.54" (140 x 508 x 90mm)	3.8lb (1.7kg)	150lb (68.2kg)	Powder Coat	Black
<b>PLCK-UNL</b>	24.38" x 25.82" x 4.03" (619 x 656 x 103mm)	9.0lb (4.1kg)			

**Package Specifications**

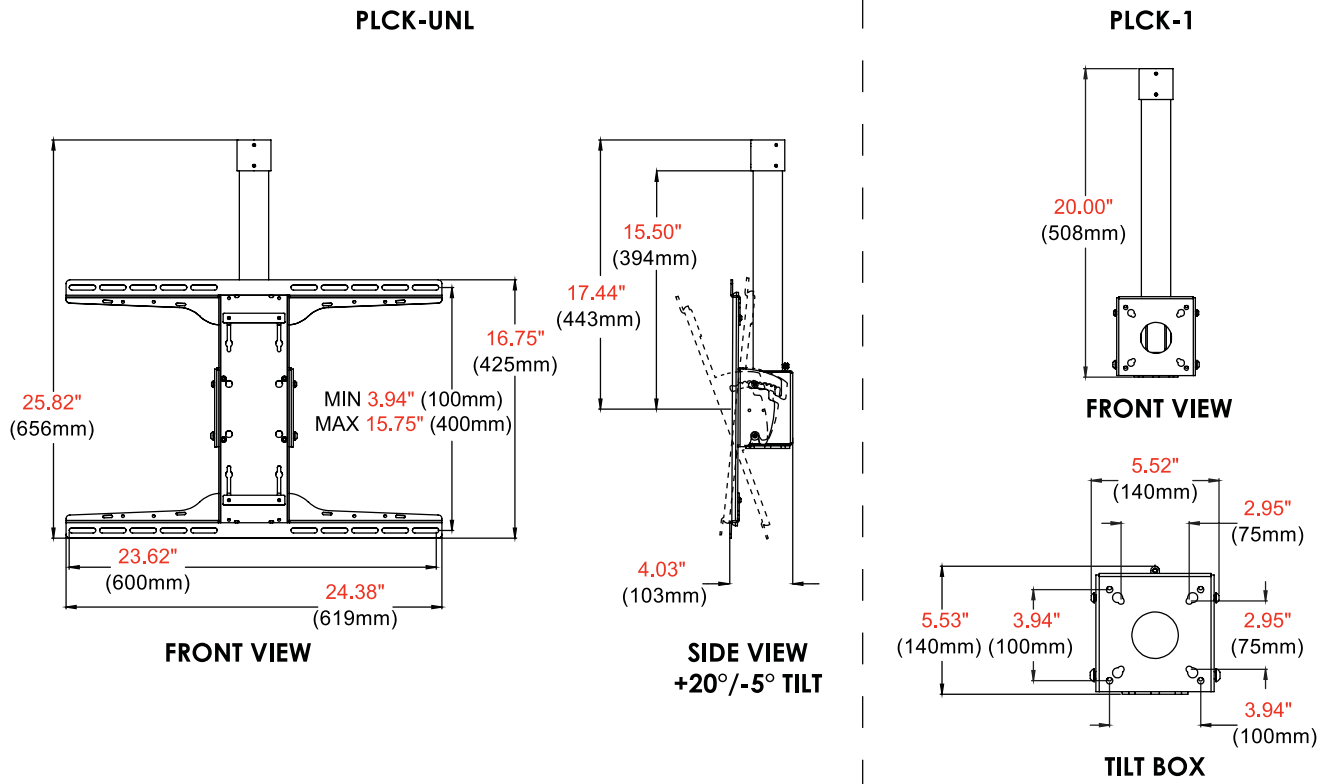
	PACKAGE SIZE (W x H x D)	PACKAGE SHIP WEIGHT	PACKAGE UPC CODE	PACKAGE CONTENTS	UNITS IN PACKAGE
<b>PLCK-1</b>	38.63" x 7.00" x 5.00" (981 x 178 x 127mm)	11.0lb (5.0kg)	735029248934	ACC109 1.5" NPS Coupler, EXT018 Extension Column, PLCM-2 Tilt Box & Instructions	1
<b>PLCK-UNL</b>	27.50" x 8.25" x 6.75" (699 x 210 x 171mm)	17.3lb (7.8kg)	735029248941	ACC109 1.5" NPS Coupler, EXT018 Extension Column, PLCM-2 Tilt Box, PLP-UNL Universal I-Shaped Adaptor, Mounting Hardware & Instructions	1

**Accessories**

**ACC, CMJ, DCS, DCT Models:** Ceiling Plates  
**AEC Models:** Adjustable Length Extension Columns  
**EXT Models:** Fixed Length Extension Columns

**PLP-V models:** Dedicated Display Adaptor  
**PLP-UNM:** Universal I-Shaped Adaptor for 22" to 50" Displays  
**PLCM-4:** Stackable Tilt Box for up to 90" Displays  
**ACC450:** Adaptor Bracket for up 22" to 40" Displays  
**ACC918:** VESA® 75 x 75 & 100 x 100mm Security Fasteners for PLCK-1

All dimensions = inch (mm)



**Architect Specifications**

The Smartmount® Ceiling Mount shall be a Peerless-AV model PLCK-1 or PLCK-UNL and shall be located where indicated on the plans. Assembly and installation shall be done according to instructions provided by the manufacturer.

Visit [peerless-av.com](http://peerless-av.com) to see the complete line of AV solutions from Peerless-AV, including outdoor displays, kiosks, display mounts, projector mounts, carts/stands, and a full assortment of accessories.

**Peerless-AV**  
 2300 White Oak Circle  
 Aurora, IL 60502 USA  
**(800) 865-2112**  
**(630) 375-5100**  
**Fax: (800) 359-6500**

**Peerless-AV EMEA**  
 Unit 3 Watford Interchange  
 Colonial Way, Watford  
 Herts, WD24 4WP  
 United Kingdom  
**+44 (0) 1923 200100**  
**Fax: +44 (0) 1923 200101**

**Peerless-AV Latin America**  
 Av. de las Industrias 413  
 Parque Industrial Escobedo  
 General Escobedo, N.L.,  
 México, 66062  
**+52 (81) 8384-8300**  
**Fax: +52 (81) 8384-8360**

