

PE1120(-W)

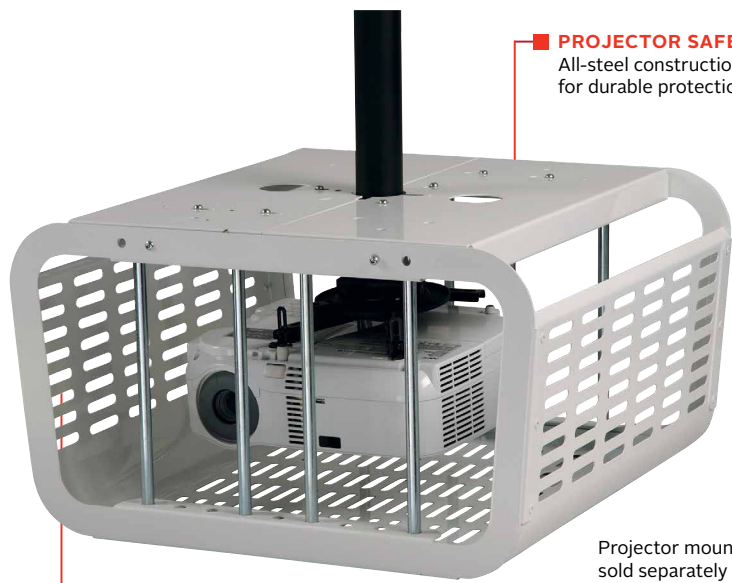


Projector Enclosure

FOR USE WITH PEERLESS-AV® PROJECTOR MOUNTS

Lock in the highest level of projector security with the PE1120. Its solid steel construction provides maximum security and is designed to be easily retrofitted to any projector mount, protecting the projector from theft and physical damage. Its wrap-around design and Hook-and-Hang™ frame enables easy one-person installation and projector maintenance.

- Secures and protects most projectors
- Interlocking top tray design is ideal for retrofit applications
- Adjustable bars allow for ideal projector lens placement
- Patented security fasteners and security wrench only offered by Peerless-AV®
- Padlock ready
- Inside dimensions measure 11"H x 20"W x 20"D
- Pipe clamp accommodates 1" NPT to 1.5" NPT schedule 40 pipe



Projector mount sold separately



HOOK-AND-HANG™ DESIGN
Allows hands-free operation during projector installation or maintenance

RoHS COMPLIANT
TAA COMPLIANT

Please visit peerless-av.com/en-us/patents for patent information.

✉ info@peerless-av.com
🌐 peerless-av.com

peerless-AV®
Driving Technology Through Innovation

PE1120(-W): Projector Enclosure for use with Peerless-AV® Projector Mounts

Product Specifications

	DIMENSIONS (W x H x D)	PRODUCT WEIGHT	LOAD CAPACITY	FINISH	AVAILABLE COLORS
PE1120(-W)	22.41" x 12.57" x 20.53" (569 x 319 x 521mm)	35lb (15kg)	N/A	Powder Coat	Black or White

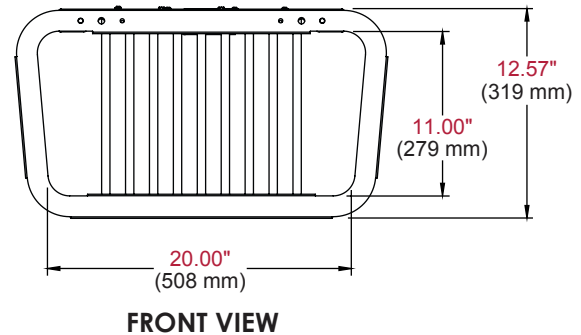
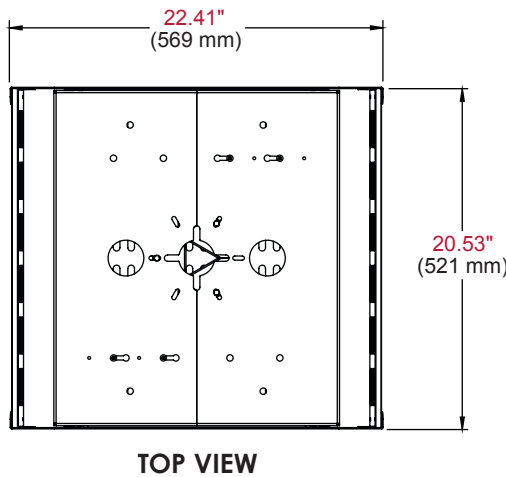
Package Specifications

	PACKAGE SIZE (W x H x D)	PACKAGE SHIP WEIGHT	PACKAGE UPC CODE	PACKAGE CONTENTS	UNITS IN PACKAGE
PE1120(-W)	23.75" x 16" x 26.75" (603 x 406 x 679 mm)	43.5lb (19.8kg)	PE1120: 735029244202 PE1120-W: 735029244219	Enclosure, Pipe Clamp, Top Tray, Security Fasteners, Security Bars & Assembly Instructions	1

Accessories

- PRG & PRGS MODELS: Projector Mounts
- AEC & EXT MODELS: Extension Columns
- ACC & CMJ MODELS: Ceiling Plates

All dimensions = inch (mm)



Architect Specifications

The Projector Enclosure shall be a Peerless-AV model PE1120(-W) and shall be located where indicated on the plans. Assembly and installation shall be done according to instructions provided by the manufacturer.

Visit peerless-av.com to see the complete line of AV solutions from Peerless-AV, including outdoor displays, kiosks, digital audio, display mounts, projector mounts, carts/stands, and a full assortment of accessories.

Peerless-AV
2300 White Oak Circle
Aurora, IL 60502 USA
(800) 865-2112
(630) 375-5100
Fax: (800) 359-6500

Peerless-AV EMEA
Unit 3 Watford Interchange
Colonial Way, Watford
Herts, WD24 4WP
United Kingdom
+44 (0) 1923 200100
Fax: +44 (0) 1923 200101

Peerless-AV Latin America
Av. de las Industrias 413
Parque Industrial Escobedo
General Escobedo, N.L.,
México, 66062
+52 (81) 8384-8300
Fax: +52 (81) 8384-8360

