

EWMU(-S)

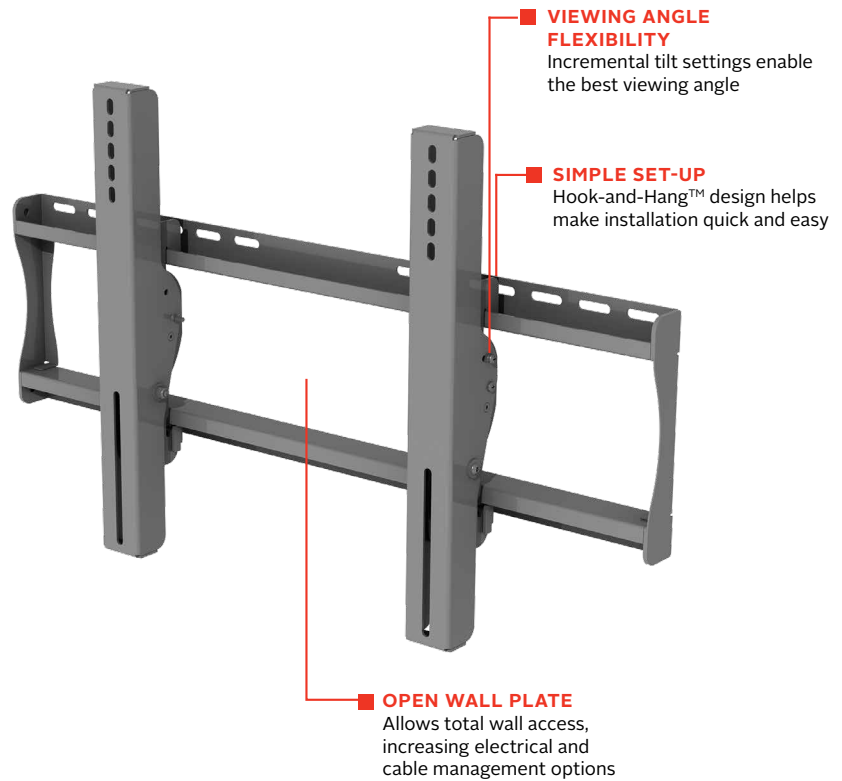


	Mounting Pattern Up to 730 x 449mm (28.75" x 17.67")		Max Load 200lb (91kg)
---	---	---	------------------------------------

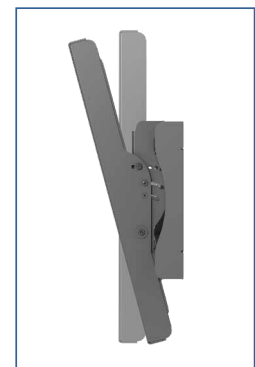
Wind Rated Tilt Wall Mount

FOR 32" TO 65" OUTDOOR TVS AND DISPLAYS

Designed exclusively for outdoor TVs and displays, the Peerless-AV® Wind Rated Tilt Wall Mount combines versatility, simplicity, and stability. Made of heavy gauge steel, with a corrosion resistant E-Coat and stainless steel hardware, this outdoor mount is constructed from weatherproof materials. The Hook-and-Hang™ feature and 8" of horizontal adjustment allow for a quick installation. Setting the viewing angle is simple with up to 15° of incremental forward tilt. With a wind rating up to 110mph and included theft-resistant hardware, this mount is ideal for patios, bars, entryways, walkways and more in any professional application - from restaurants, stadiums, retail and beyond.



- Universal mounting pattern: 28.75"W x 17.67"H (730 x 449mm) VESA® up to 600 x 400mm
- Wind rated up to 110 mph, elevation 200ft (60m), Category "D" when fixed tilt mechanism in engaged
- Designed specifically for outdoor use and constructed from weatherproof materials
- Fixed incremental tilt with angle settings at 0°, 2°, 5°, 10° or 15°
- Up to 8" of horizontal positioning



Adjustable tilt can easily be set up to 15° forward and 5° back



Please visit peerless-av.com/en-us/patents for patent information.

Model Numbers

EWMU(-S) Wind Rated Tilt Wall Mount for 32" to 65" Outdoor TVs and Displays

Product Specifications

	DIMENSIONS (W x H x D)	PRODUCT WEIGHT	LOAD CAPACITY	FINISH	AVAILABLE COLORS
EWMU(-S)	30.87" x 18.83" x 3.74" (784 x 478 x 95mm)	17lb (8kg)	200lb (90.7kg)	Outdoor Powder Paint	EWMU: Black EWMU-S: Stone Gray

Package Specifications

	PACKAGE SIZE (W x H x D)	PACKAGE SHIP WEIGHT	PACKAGE UPC CODE	PACKAGE CONTENTS	UNITS IN PACKAGE
EWMU(-S)	34.25" x 10.18" x 3.12" (870 x 258 x 79mm)	20lb (9kg)	EWMU: 735029272335 EWMU-S: 735029272342	Mount, Hardware, Security Fasteners	1

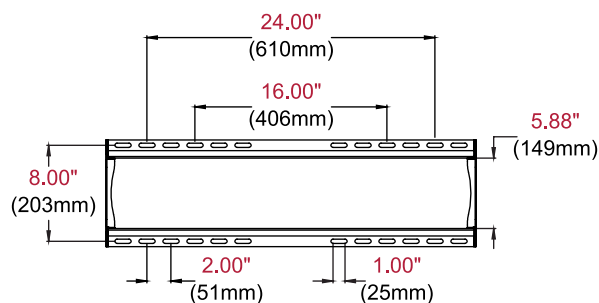
Accessories

HDS-OWRE-300: Wireless Outdoor Module
XACE-01/02: Xtreme™ Active Climate Enclosures

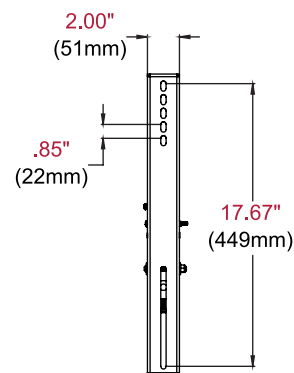
Compatible with

UV models: UltraView™ UHD Outdoor TVs
XHB models: Xtreme™ High Bright Outdoor Displays

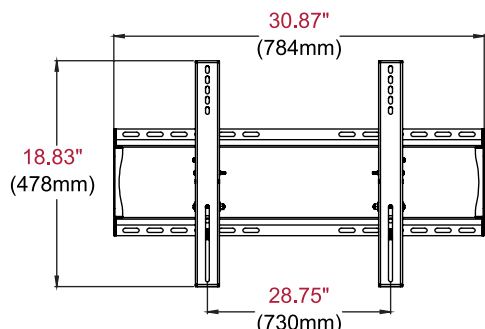
All dimensions = inch (mm)



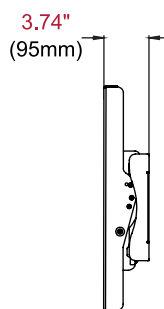
ADAPTOR PLATE DETAIL



ADAPTOR BRACKET DETAIL



FRONT VIEW



SIDE VIEW



**SIDE VIEW
+15°/-5° TILT**

Architect Specifications

The Wind Rated Tilt Wall Mount shall be a Peerless-AV model EWMU(-S) and shall be located where indicated on the plans. Assembly and installation shall be done according to instructions provided by the manufacturer.

Visit peerless-av.com to see the complete line of AV solutions from Peerless-AV, including outdoor displays, wireless, kiosks, digital audio, display mounts, projector mounts, carts/stands, and a full assortment of accessories.

Peerless-AV
2300 White Oak Circle
Aurora, IL 60502 USA
(800) 865-2112
(630) 375-5100
Fax: (800) 359-6500

Peerless-AV EMEA
Unit 3 Watford Interchange
Colonial Way, Watford
Herts, WD24 4WP
United Kingdom
+44 (0) 1923 200100
Fax: +44 (0) 1923 200101

Peerless-AV Latin America
Av. de las Industrias 413
Parque Industrial Escobedo
General Escobedo, N.L.,
México, 66062
+52 (81) 8384-8300
Fax: +52 (81) 8384-8360

