

ACC625, ACC630

Dedicated Wall Adapter Box

Compatible with SMART Arm 600i, SMART UX60
and Hitachi A100WALLARM2

Expandable depth control (up to 5.50") provides extra depth adjustment to help short throw projectors get the throw distance needed to achieve a great picture when a whiteboard is mounted over a chalkboard. With these two Dedicated Wall Adapter Box models that are compatible with short throw projector arm models SMART Arm 600i, SMART UX60 and Hitachi A100WALLARM2, there is a solution ready to help create the perfect picture in virtually any setting.

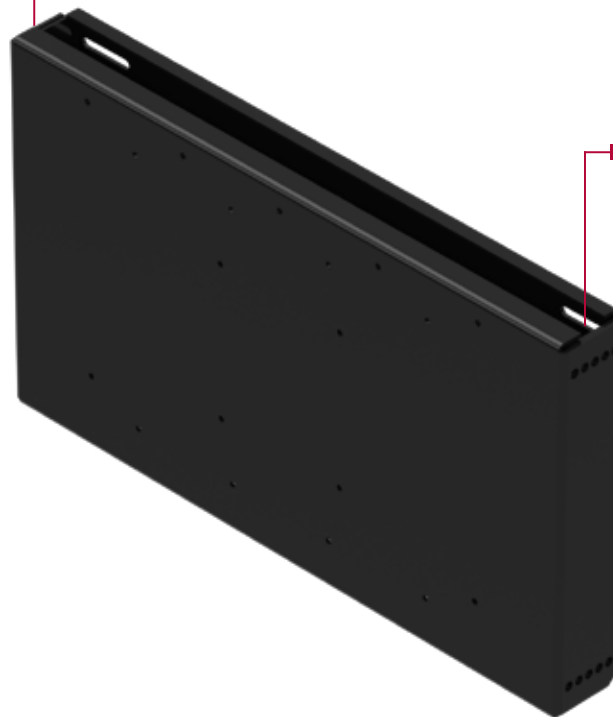


Max load:
ACC625 60lb (27.2kg)
ACC630 50lb (22.6kg)

FEATURES

- Compatible with SMART Arm 600i, SMART UX60 and Hitachi A100WALLARM2
- Mounts to studs 16" on center
- Heavy gauge steel construction
- ACC625 Expandable depth range of 2.14"-3.50" (54-89mm)
ACC630 Expandable depth range of 3.26"-5.50" (83-140mm)
- Max Load Capacity:
ACC625 60lb (27.2kg)
ACC630 50lb (22.6kg)

■ **DEPTH ADJUSTABLE**
Ideal for short throw projectors where extra distance is needed



■ **EASY INSTALLATION**
Mounts to studs 16" on center

ACC625/ACC630

Dedicated Wall Adapter Box compatible with SMART Arm 600i, SMART UX60 and Hitachi A100WALLARM2

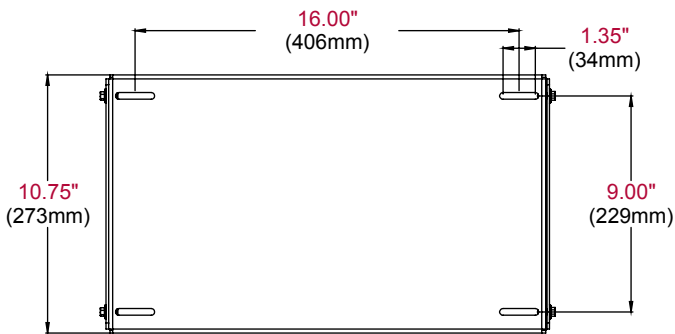
Product Specifications

	DIMENSIONS (W x H x D)	PRODUCT WEIGHT	LOAD CAPACITY	FINISH	AVAILABLE COLORS
ACC625	18.48" x 10.75" x 3.5" (469 x 273 x 89mm)	14.2lb (6.4kg)	60lb (27.2kg)	Powder coat	Black
ACC630	18.48" x 10.75" x 5.5" (469 x 276 x 139mm)	15.75lb (7.1kg)	50lb (22.6kg)		

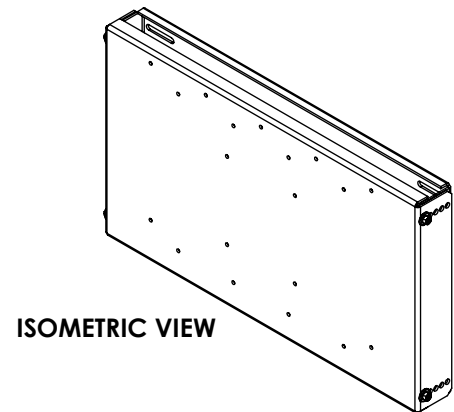
Package Specifications

	PACKAGE SIZE (W x H x D)	PACKAGE SHIP WEIGHT	PACKAGE UPC CODE	PACKAGE CONTENTS	UNITS IN PACKAGE
ACC625	19.875" x 11.50" x 3.94" (505 x 292 x 100mm)	15lb (6.8kg)	735029275091	Wall plate, adapter plate and mounting hardware	1
ACC630	24.5" x 14.13" x 5.5" (622 x 358 x 140mm)	17.5lb (7.9kg)	735029275107		

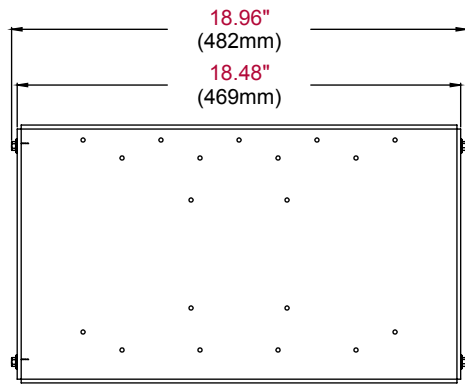
All dimensions = inch (mm)



BACK VIEW

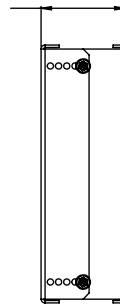


ISOMETRIC VIEW



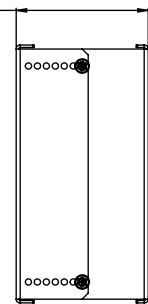
FRONT VIEW

2.14" - 3.50"
(54mm - 89mm)



**SIDE VIEW
ACC625**

3.26" - 5.50"
(83mm - 140mm)



**SIDE VIEW
ACC630**

ARCHITECTS SPECIFICATIONS

The Wall Expansion Box shall be a Peerless model ACC625 or ACC630 and shall be located where indicated on the plans. It shall be constructed of heavy gauge cold rolled steel and feature scratch resistant black fused epoxy finish. Assembly and installation shall be done according to instructions provided by the manufacturer.