

SF640-HUB2



**Mounting Pattern**  
350 x 350mm  
(13.78" x 13.78")



**Max Load**  
80lb  
(36.3 kg)

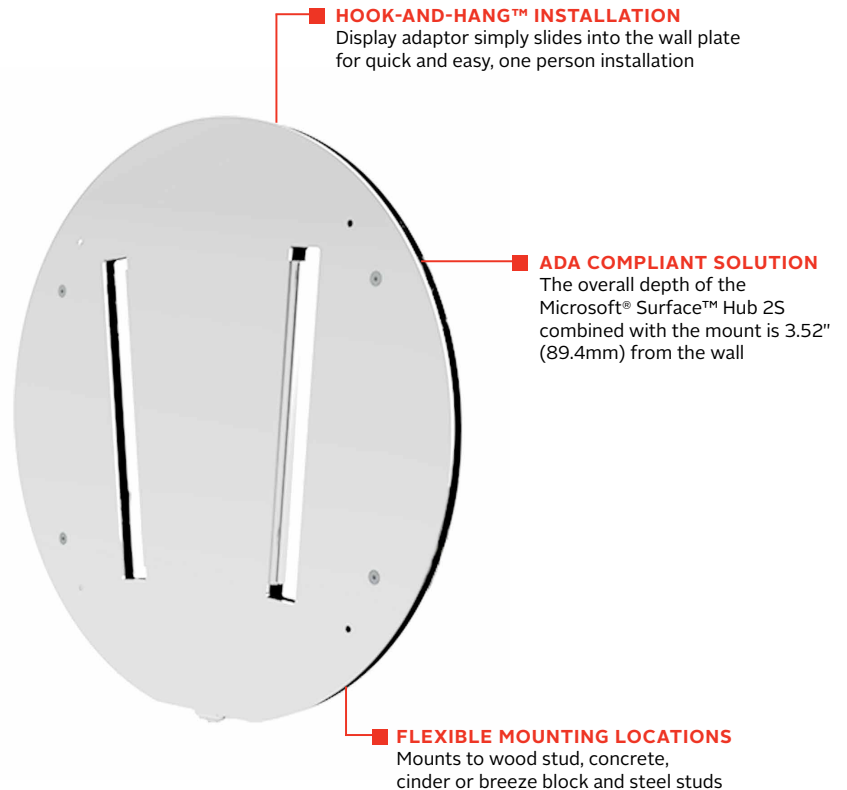
**SMARTMOUNT**

## Flat Wall Mount

FOR THE 50" MICROSOFT® SURFACE™ HUB 2S

The SmartMount® Flat Wall Mount is designed specifically for use with the 50" Microsoft® Surface™ Hub 2S. The mount's circular design perfectly matches the rear of the Surface Hub, and provides direct access to the power and data connections. There is also complete access to the compute cartridge, allowing for the cartridge to be easily removed and re-installed without having to remove the display. This low-profile mounting solution positions the display only 3.52" (89.4mm) from the wall for a sleek, ADA compliant installation.

- Specifically designed for the 50" Microsoft® Surface™ Hub 2S
- Product complies with the Microsoft® Site Readiness Guide
- Accommodates 350 x 350mm VESA® mounting patterns
- Includes all necessary wall and display attachment hardware for the Microsoft® Surface™ Hub 2S, which meet the required length specified by Microsoft®



**RoHS**



Please visit [peerless-av.com/en-us/patents](http://peerless-av.com/en-us/patents) for patent information.

✉ [info@peerless-av.com](mailto:info@peerless-av.com)

🌐 [peerless-av.com](http://peerless-av.com)

**peerless-AV**<sup>®</sup>  
Driving Technology Through Innovation

SF640-HUB2	SmartMount® Flat Wall Mount for the 50" Microsoft® Surface™ Hub 2S
------------	--

**Product Specifications**

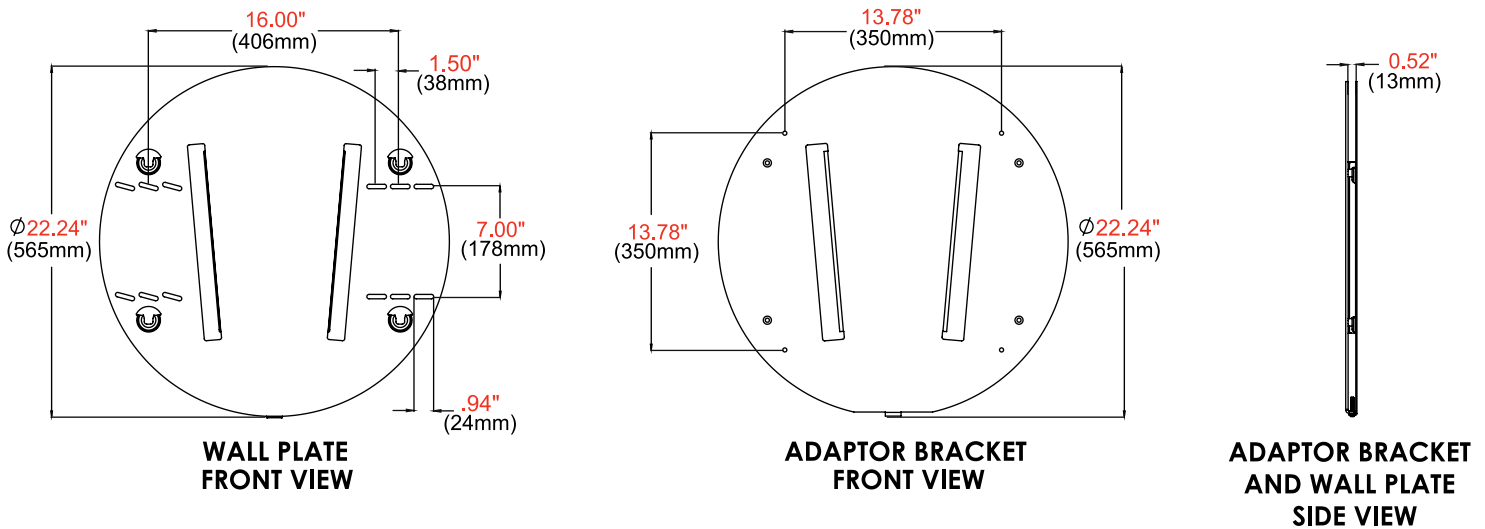
	DIMENSIONS (W x H x D)	PRODUCT WEIGHT	LOAD CAPACITY	FINISH	AVAILABLE COLORS
SF640-HUB2	22.24" x 22.24" x 0.52" (565 x 565 x 13mm)	13.8lb (6.3kg)	80lb (36.3kg)	Flat Powder Coat	White

**Package Specifications**

	PACKAGE SIZE (W x H x D)	PACKAGE SHIP WEIGHT	PACKAGE UPC CODE	PACKAGE CONTENTS	UNITS IN PACKAGE
SF640-HUB2	24.50" x 24.50" x 2.25" (622 x 622 x 57mm)	16.4lb (7.4kg)	735029338239	Wall Mount, Wall and Display Installation Hardware, Installation Instructions	1

**Accessories** ACC415: 4-pack Metal Stud Fastener Kit

All dimensions = inch (mm)



**Architect Specifications**

The SmartMount® Flat Wall Mount for the 50" Microsoft® Surface™ Hub 2S shall be a Peerless-AV model SF640-HUB2 and shall be located where indicated on the plans. Assembly and installation shall be done according to instructions provided by the manufacturer.

Visit [peerless-av.com](http://peerless-av.com) to see the complete line of AV solutions from Peerless-AV, including outdoor displays, kiosks, display mounts, projector mounts, carts/stands, and a full assortment of accessories.

**Peerless-AV**  
2300 White Oak Circle  
Aurora, IL 60502  
USA  
**(800) 865-2112**  
**(630) 375-5100**

**Peerless-AV EMEA**  
Unit 2 Curo Park  
Frogmore, St. Albans  
Hertfordshire, AL2 2DD  
United Kingdom  
**+44 (0) 1923 200 100**

**Peerless-AV B.V.**  
Papendorpseweg 75  
3528 BJ Utrecht  
The Netherlands  
**+31 (0) 70 770 8037**

**Peerless-AV Latin America**  
Av. de las Industrias 413  
Parque Industrial Escobedo  
General Escobedo, N.L.,  
México, 66062  
**+52 (81) 8384-8300**

