

## PTS4X4



**Mounting Pattern**  
455 x 405mm  
(17.91" x 15.94")



**Max Load**  
60lb  
(27.2kg)

# Universal TV Stand with Swivel

## FOR 32" TO 60" TVs

The PTS4X4 Universal TV Stand provides  $\pm 45^\circ$  of swivel to position your TV at the perfect viewing angle. The universal adaptor plate provides compatibility up to a 400 x 400mm VESA® pattern, and it can be mounted at three different heights to seamlessly accommodate your TV. Built-in cable management, along the rear of the column, hides unsightly cables, while the glass base provides a look that matches any decor.

- Universal mounting pattern accommodates a variety of TVs up to a 400 x 400mm VESA® pattern
- The draw cords allow safe attachment and removal of the display without tools
- Includes all standard hardware and tools for mounting your TV
- The glass base provides a stable platform for your TV while providing a high tech look
- Rear cable management along the column hides unsightly cables, while also providing easy access for replacing or adding a new HDMI cable



Comes in color packaging with included installation hardware and easy to follow instructions.



**RoHS**

Please visit [peerless-av.com/en-us/patents](http://peerless-av.com/en-us/patents) for patent information.

✉ [info@peerless-av.com](mailto:info@peerless-av.com)  
🌐 [peerless-av.com](http://peerless-av.com)

**peerless-AV®**  
Driving Technology Through Innovation

**PTS4X4** Universal TV Stand with Swivel for 32" to 60" TVs

**Product Specifications**

	DIMENSIONS (W x H x D)	PRODUCT WEIGHT	LOAD CAPACITY	FINISH	AVAILABLE COLORS
<b>PTS4X4</b>	18.89" x 20.16"-25.67" x 11.00" (480 x 512-652 x 280mm)	17.5lb (7.9kg)	60lb (27.2kg)	Powder Coat	Matte Black Mount with Black Glass Base

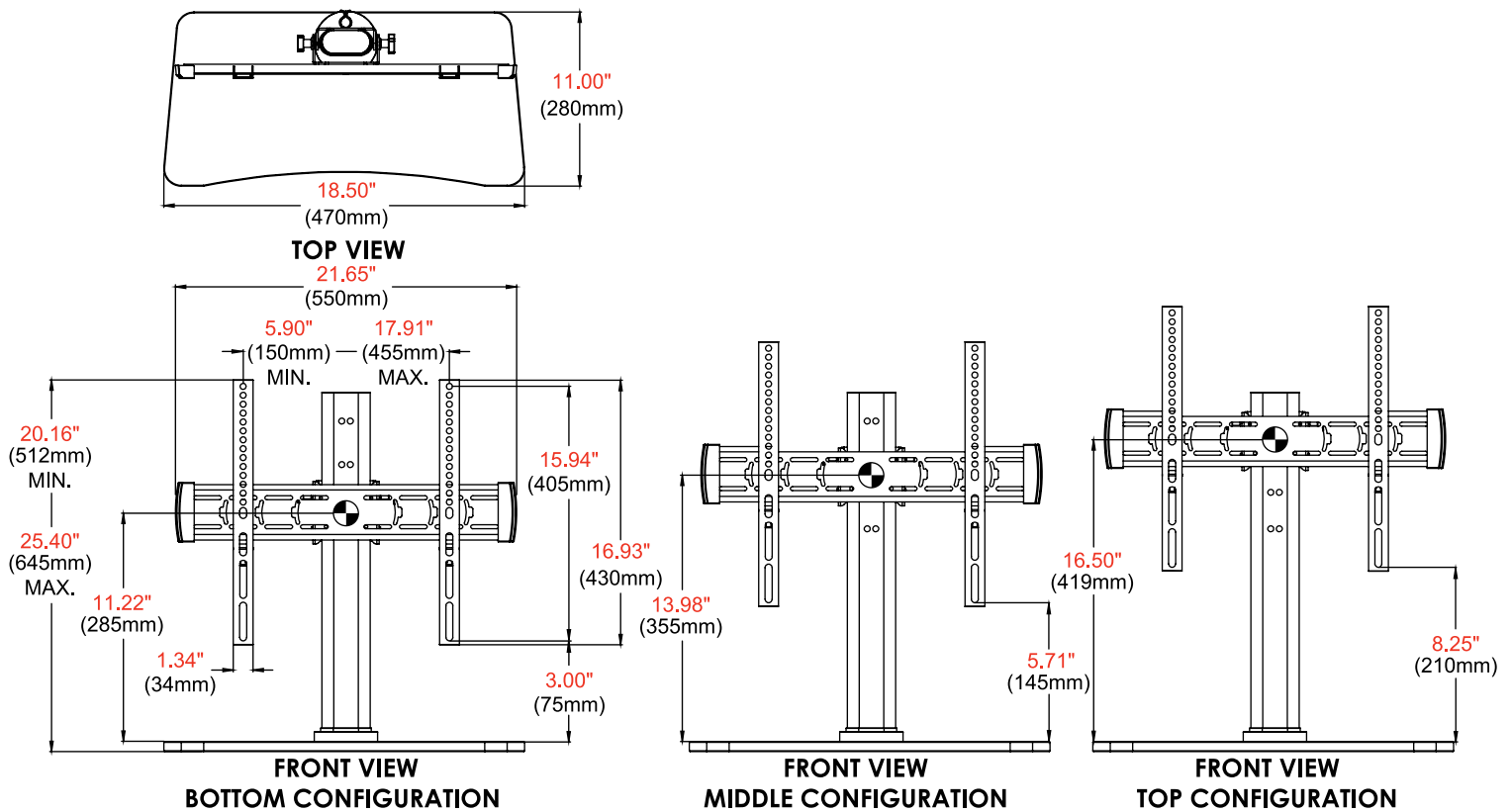
**Package Specifications**

	PACKAGE SIZE (W x H x D)	PACKAGE SHIP WEIGHT	PACKAGE UPC CODE	PACKAGE CONTENTS	UNITS IN PACKAGE
<b>PTS4X4</b>	29.00" x 14.00" x 4.00" (737 x 356 x 102mm)	18.3lb (8.3kg)	735029333685	Glass Base, Column, Adaptor Brackets, Adaptor Plate, Molded Cap, Cable Management Clips, Rubber Feet, Hardware and Tools	1

**Accessories**

- HLC-KIT:** Display Security Kit
- HLC-KIT-Q10:** Display Security Kit (10 pack)

All dimensions = **inch** (mm)



**Architect Specifications**

The Universal TV Stand with Swivel shall be a Peerless-AV model PTS4X4 and shall be located where indicated on the plans. Assembly and installation shall be done according to instructions provided by the manufacturer.

Visit [peerless-av.com](http://peerless-av.com) to see the complete line of AV solutions from Peerless-AV, including outdoor displays, kiosks, display mounts, projector mounts, carts/stands, and a full assortment of accessories.

**Peerless-AV**  
2300 White Oak Circle  
Aurora, IL 60502 USA  
**(800) 865-2112**  
**(630) 375-5100**  
**Fax: (800) 359-6500**

**Peerless-AV EMEA**  
Unit 3 Watford Interchange  
Colonial Way, Watford  
Herts, WD24 4WP  
United Kingdom  
**+44 (0) 1923 200100**  
**Fax: +44 (0) 1923 200101**

**Peerless-AV Latin America**  
Av. de las Industrias 413  
Parque Industrial Escobedo  
General Escobedo, N.L.,  
México, 66062  
**+52 (81) 8384-8300**  
**Fax: +52 (81) 8384-8360**

