

PR560M



Mounting Pattern
200 x 200 up to
800 x 500mm



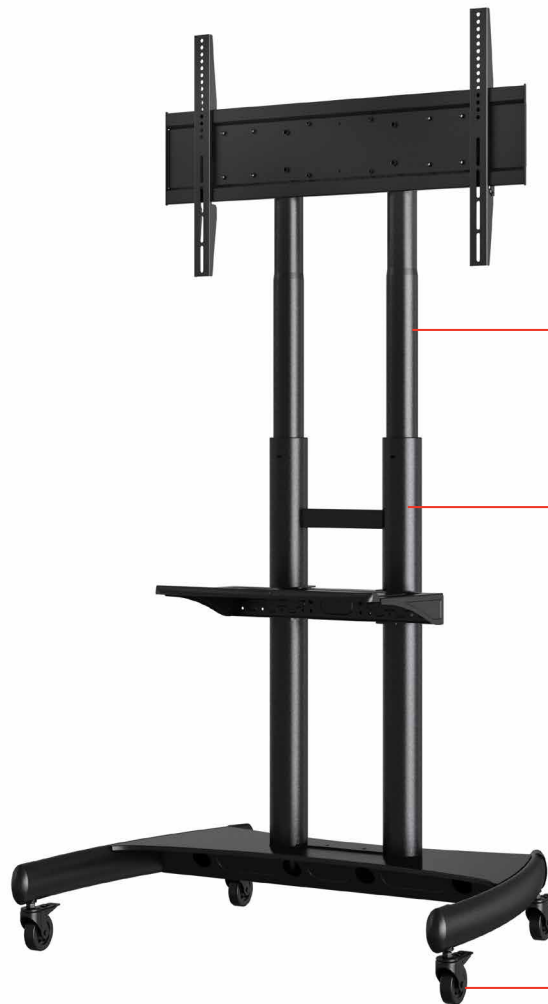
Max Load
154lb (70kg) Display
22lb (10kg) Shelf

PARAMOUNT™ Flat Panel Cart

FOR 55" TO 86" DISPLAYS

The Peerless-AV® Paramount™ Flat Panel Cart provides a sleek mobile solution for 55" to 86" displays. Complete with two heavy duty poles to display the screen center at a maximum height of 64.9" (1650mm). The unique and convenient display height adjustment feature is complimented by spring plungers, which allow the display to be vertically positioned with ease. Complete with cable management and four heavy duty casters. The PR560M also comes with a spacious metal shelf for audio visual components.

- Universal mount fits displays with mounting patterns from 200 x 200mm up to 800 x 500mm
- 20" (506mm) W x 13" (333mm) D steel component shelf holds up to 22lb (10kg) and can be positioned along the lower columns
- Smooth black powder coat finish helps to hide finger prints and dust
- The shape of the base allows multiple carts to be nested to reduce the amount of storage space needed
- Heavy duty vertical tubes use thicker steel than comparable mobile carts
- Fully assembled, welded base provides superior strength



VERTICAL ADJUSTMENT
Display can be positioned 45"-65" (1150-1650mm) from the floor in 50mm increments

INTERNAL CABLE MANAGEMENT
Cabling is easily routed through openings at the top and bottom of the tubing. Entry/Exit points are protected with rubber grommets

SAFE AND EASY MANEUVERABILITY
3" (76mm) swivel casters with locking brakes



PR560M	Paramount™ Flat Panel Cart for 55" to 86" Displays
--------	--

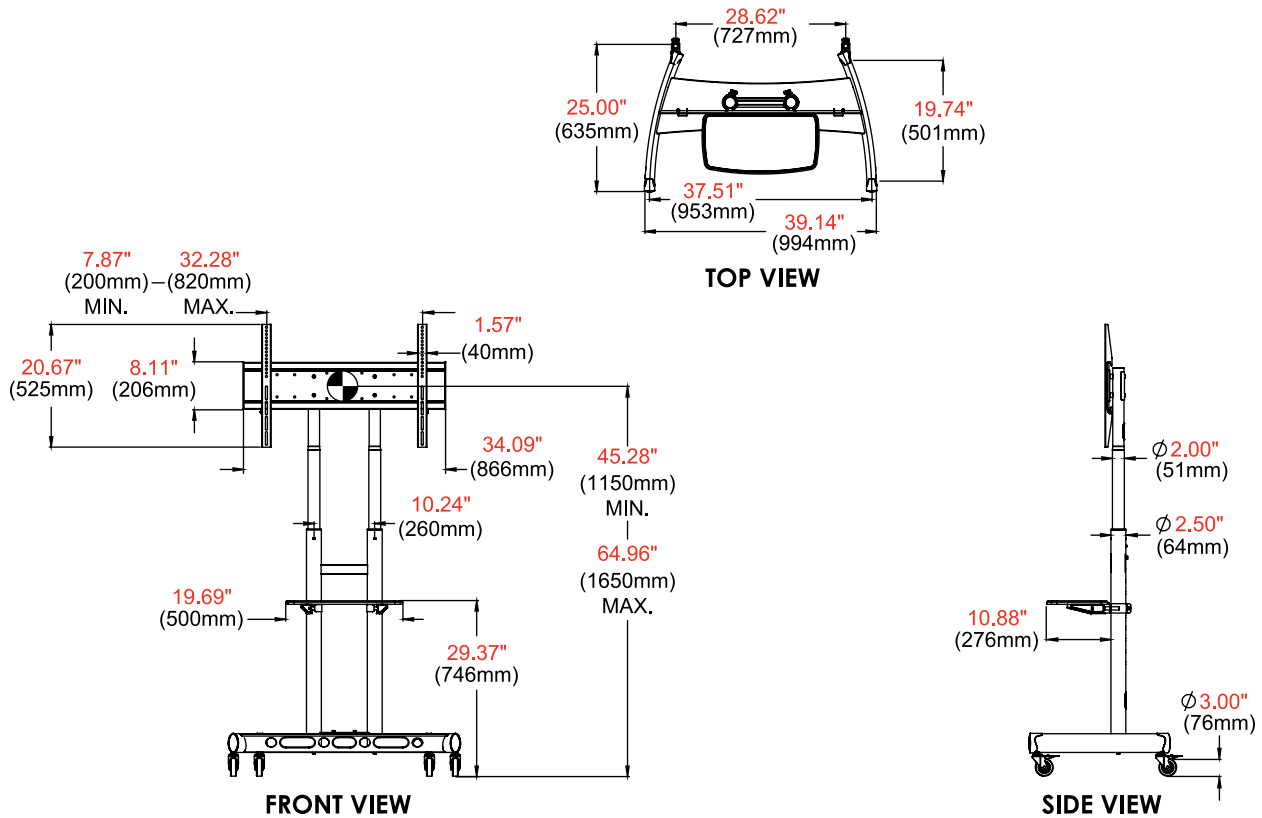
Product Specifications

	DIMENSIONS (W X H X D)	PRODUCT WEIGHT	LOAD CAPACITY	FINISH	AVAILABLE COLORS
PR560M	39.14" x 74.40" x 25.00" (994 x 1890 x 635mm)	70lb (32kg)	154lb (70kg) Display 22lb (10kg) Shelf	Powder Coat	Black

Package Specifications

	PACKAGE SIZE (W x H x D)	PACKAGE SHIP WEIGHT	PACKAGE UPC CODE	PACKAGE CONTENTS	UNITS IN PACKAGE
PR560M	41.90" x 6.40" x 31.90" (1065 x 165 x 812mm)	80.3lb (36.5kg)	735029340041	Flat Panel Cart, Component Shelf, Hardware & Instructions	1

All dimensions = inch (mm)



Architect Specifications

The Paramount™ Flat Panel Cart shall be a Peerless-AV model PR560M and shall be located where indicated on the plans. Assembly and installation shall be done according to instructions provided by the manufacturer.

Visit peerless-av.com to see the complete line of AV solutions from Peerless-AV, including outdoor displays, kiosks, display mounts, projector mounts, carts/stands, and a full assortment of accessories.

Peerless-AV
2300 White Oak Circle
Aurora, IL 60502 USA
(800) 865-2112
(630) 375-5100
Fax: (800) 359-6500

Peerless-AV EMEA
Unit 3 Watford Interchange
Colonial Way, Watford
Herts, WD24 4WP
United Kingdom
+44 (0) 1923 200100
Fax: +44 (0) 1923 200101

Peerless-AV Latin America
Av. de las Industrias 413
Parque Industrial Escobedo
General Escobedo, N.L.,
México, 66062
+52 (81) 8384-8300
Fax: +52 (81) 8384-8360

