

EWP-55XE4F



**Mounting Pattern**  
560 x 1186mm  
(22.05" x 46.70")



**Max Load**  
90lb (40.8kg)



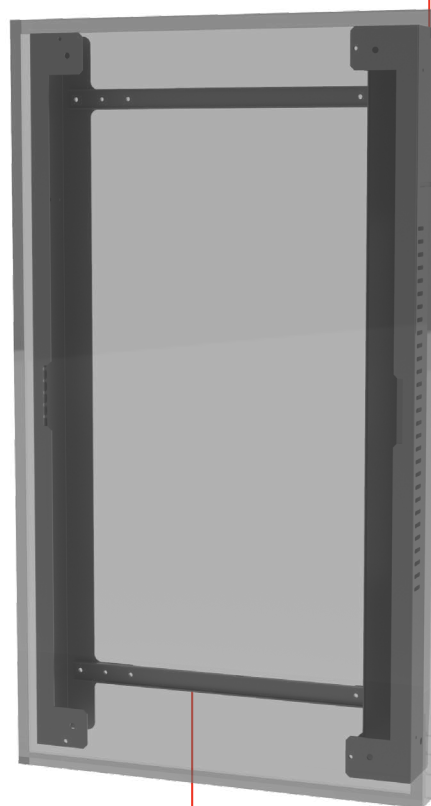
Corrosion Resistant

- Designed specifically for outdoor use and constructed from weatherproof materials
- Adaptors hook onto the wall plate, simplifying the install
- IncreLok™ tilt locks the display at 0°, 2° or 4°

# Outdoor Tilt Wall Mount (Portrait)

FOR THE  **LG 55" XE4F-M SERIES**  
HIGH BRIGHTNESS OUTDOOR DISPLAY

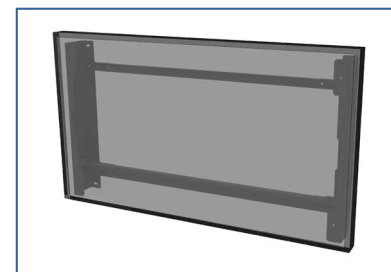
The Peerless-AV® Outdoor Tilt Wall Mount was designed exclusively for the LG 55" XE4F-M Series High Brightness Outdoor Display. Constructed of weatherproof and corrosion resistant materials, this mount is built to thrive outdoors, all year round. With a clean profile, security hardware to deter tampering, and air baffles to ensure proper airflow to the display, the EWP-55XE4F is an ideal mounting solution for any portrait oriented application - from retail, mass transit and more.



**CLEAN PROFILE DESIGN**  
Hides cables and hardware within enclosed wall plate for a clutter-free installation

**SECURITY HARDWARE**  
Deters tampering and theft

**AIR BAFFLES**  
Help separate exhaust from intake air



Landscape Orientation Available  
(EWL-55XE4F)

**RoHS** **TAA**  
COMPLIANT

✉ info@peerless-av.com  
🌐 peerless-av.com

**peerless-AV**®  
Driving Technology Through Innovation

**EWP-55XE4F** Outdoor Tilt Wall Mount (Portrait) for the LG 55" XE4F-M Series High Brightness Outdoor Display

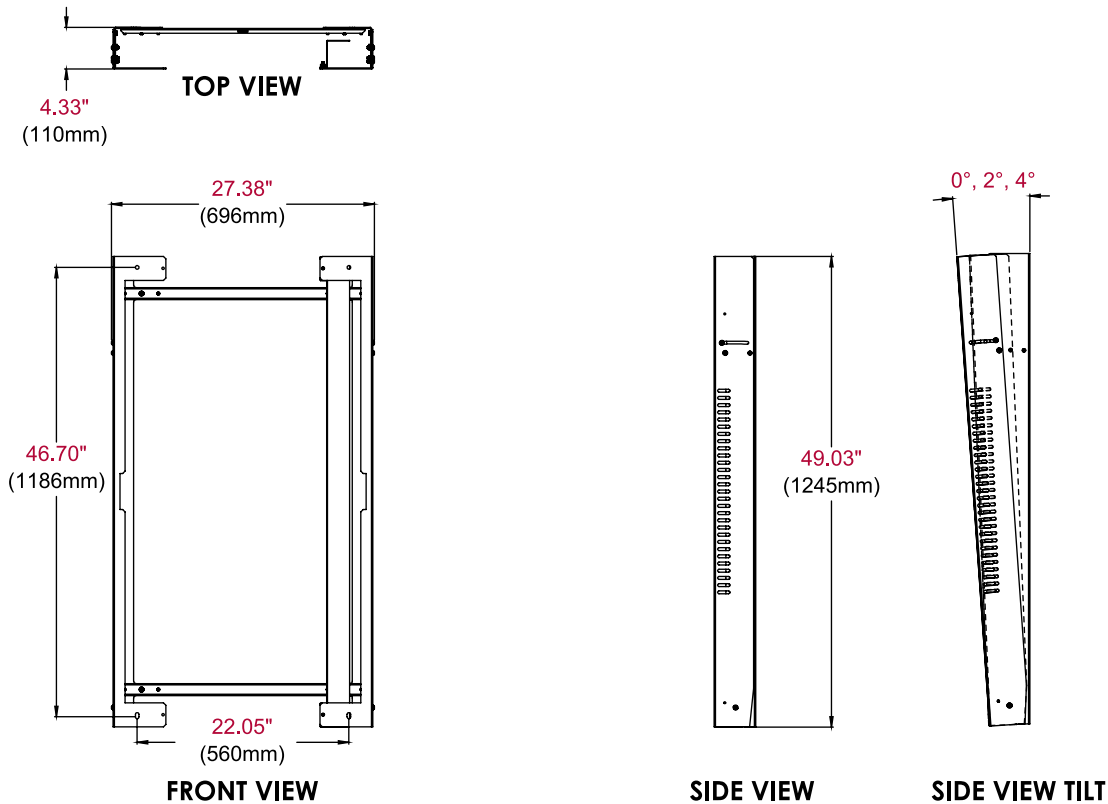
**Product Specifications**

	DIMENSIONS (W x H x D)	PRODUCT WEIGHT	LOAD CAPACITY	FINISH	AVAILABLE COLORS
<b>EWP-55XE4F</b>	27.38" x 49.03" x 4.33" (696 x 1245 x 110mm)	40.0lb (18.1kg)	90lb (40.8kg)	Powder Coat	Black

**Package Specifications**

	PACKAGE SIZE (W x H x D)	PACKAGE SHIP WEIGHT	PACKAGE UPC CODE	PACKAGE CONTENTS	UNITS IN PACKAGE
<b>EWP-55XE4F</b>	53.63" x 9.50" x 9.50" (1362 x 241 x 241mm)	45.5lb (20.6kg)	735029338963	Adaptor Plates, Wall Plates, Air Baffles, and Outdoor Rated Mounting Hardware	1

All dimensions = inch (mm)



**Architect Specifications**

The Outdoor Tilt Wall Mount (Portrait) shall be a Peerless-AV® model EWP-55XE4F and shall be located where indicated on the plans. Assembly and installation shall be done according to instructions provided by the manufacturer.

Visit [peerless-av.com](http://peerless-av.com) to see the complete line of AV solutions from Peerless-AV, including outdoor displays, kiosks, digital audio, display mounts, projector mounts, carts/stands, and a full assortment of accessories.

**Peerless-AV**  
2300 White Oak Circle  
Aurora, IL 60502 USA  
**(800) 865-2112**  
**(630) 375-5100**  
**Fax: (800) 359-6500**

**Peerless-AV EMEA**  
Unit 3 Watford Interchange  
Colonial Way, Watford  
Herts, WD24 4WP  
United Kingdom  
**+44 (0) 1923 200100**  
**Fax: +44 (0) 1923 200101**

**Peerless-AV Latin America**  
Av. de las Industrias 413  
Parque Industrial Escobedo  
General Escobedo, N.L.,  
México, 66062  
**+52 (81) 8384-8300**  
**Fax: +52 (81) 8384-8360**

