

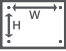

EWL-55XE4F



Outdoor Tilt Wall Mount (Landscape)

FOR THE  **LG 55" XE4F-M SERIES**
HIGH BRIGHTNESS OUTDOOR DISPLAY

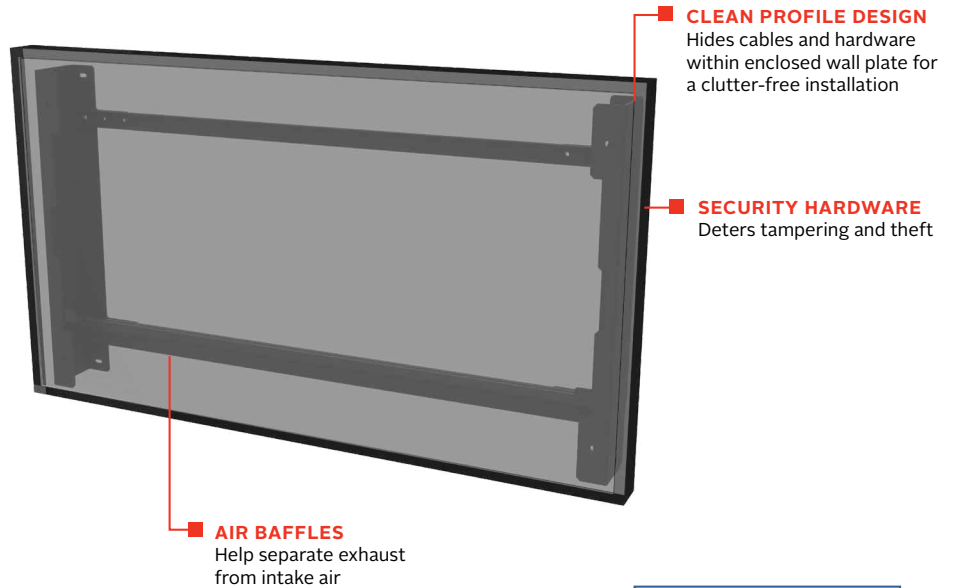
The Peerless-AV® Outdoor Tilt Wall Mount was designed exclusively for the LG 55" XE4F-M Series High Brightness Outdoor Display. Constructed of weatherproof and corrosion resistant materials, this mount is built to thrive outdoors, all year round. With a clean profile, security hardware to deter tampering, and air baffles to ensure proper airflow to the display, the EWL-55XE4F is an ideal mounting solution for any landscape oriented application - from retail, mass transit and more.

	Mounting Pattern		Max Load
	1186 x 560 (46.70" x 22.05")		90lb (40.8kg)



Corrosion Resistant

- Designed specifically for outdoor use and constructed from weatherproof materials
- Adaptors hook onto the wall plate, simplifying the install
- IncreLok™ tilt locks the display at 0°, 3° or 8°



Portrait Orientation Available
(EWP-55XE4F)



EWL-55XE4F	Outdoor Tilt Wall Mount (Landscape) for the LG 55" XE4F-M Series High Brightness Outdoor Display
------------	--

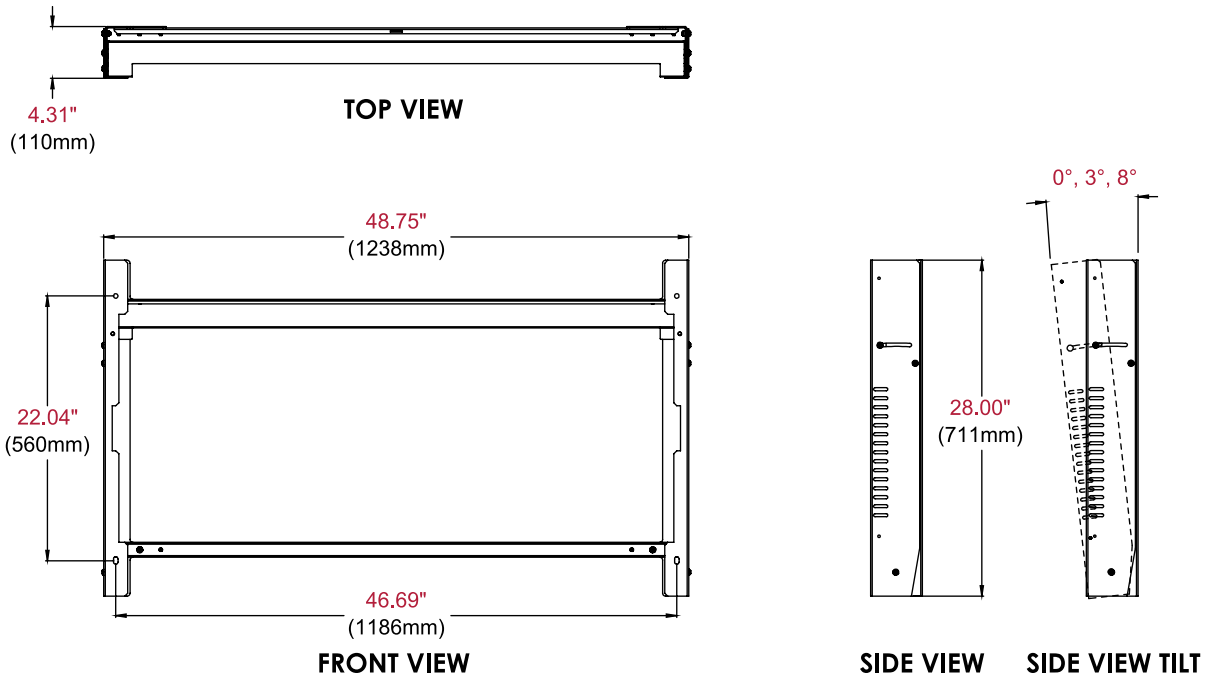
Product Specifications

	DIMENSIONS (W x H x D)	PRODUCT WEIGHT	LOAD CAPACITY	FINISH	AVAILABLE COLORS
EWL-55XE4F	28.00" x 48.75" x 4.31" (711 x 1238 x 110mm)	32lb (14.5kg)	90lb (40.8kg)	Powder Coat	Black

Package Specifications

	PACKAGE SIZE (W x H x D)	PACKAGE SHIP WEIGHT	PACKAGE UPC CODE	PACKAGE CONTENTS	UNITS IN PACKAGE
EWL-55XE4F	53.60" x 9.50" x 9.50" (1361 x 241 x 241mm)	35.5lb (16.1kg)	735029339120	Adaptor Plates, Wall Plates, Air Baffles, and Outdoor Rated Mounting Hardware	1

All dimensions = inch (mm)



Architect Specifications

The Outdoor Tilt Wall Mount (Landscape) shall be a Peerless-AV® model EWL-55XE4F and shall be located where indicated on the plans. Assembly and installation shall be done according to instructions provided by the manufacturer.

Visit peerless-av.com to see the complete line of AV solutions from Peerless-AV, including outdoor displays, kiosks, display mounts, projector mounts, carts/stands, and a full assortment of accessories.

Peerless-AV
2300 White Oak Circle
Aurora, IL 60502 USA
(800) 865-2112
(630) 375-5100
Fax: (800) 359-6500

Peerless-AV EMEA
Unit 3 Watford Interchange
Colonial Way, Watford
Herts, WD24 4WP
United Kingdom
+44 (0) 1923 200100
Fax: +44 (0) 1923 200101

Peerless-AV Latin America
Av. de las Industrias 413
Parque Industrial Escobedo
General Escobedo, N.L.,
México, 66062
+52 (81) 8384-8300
Fax: +52 (81) 8384-8360

