

ACC116



SMARTMOUNT.

Metal Shelf

FOR PEERLESS-AV® MICROSOFT® SURFACE™
HUB 2S CART (SR560-HUB2)

The SmartMount® Metal Shelf accessory is designed to attach to the SmartMount® Microsoft® Surface™ 2S Mobile Cart. The shelf accessory provides a secure surface to place laptops or other audio visual components, and can be easily positioned anywhere along the vertical column, to support the deployment of your Microsoft Surface Hub.



HEIGHT ADJUSTABLE

Easily position the shelf anywhere along the vertical column of the SR560-HUB2 cart

- Heavy gauge cold rolled steel construction
- Scratch resistant textured white powder coat finish
- Vertical height adjustability
- Attaches directly to post of the SmartMount® SR560-HUB2 Cart



For use with Peerless-AV® SR560-HUB2



Please visit peerless-av.com/en-us/patents for patent information.

ACC116	SmartMount® Metal Shelf for Peerless-AV® Microsoft® Surface™ Hub 2S Cart (SR560-HUB2)
---------------	---

Product Specifications

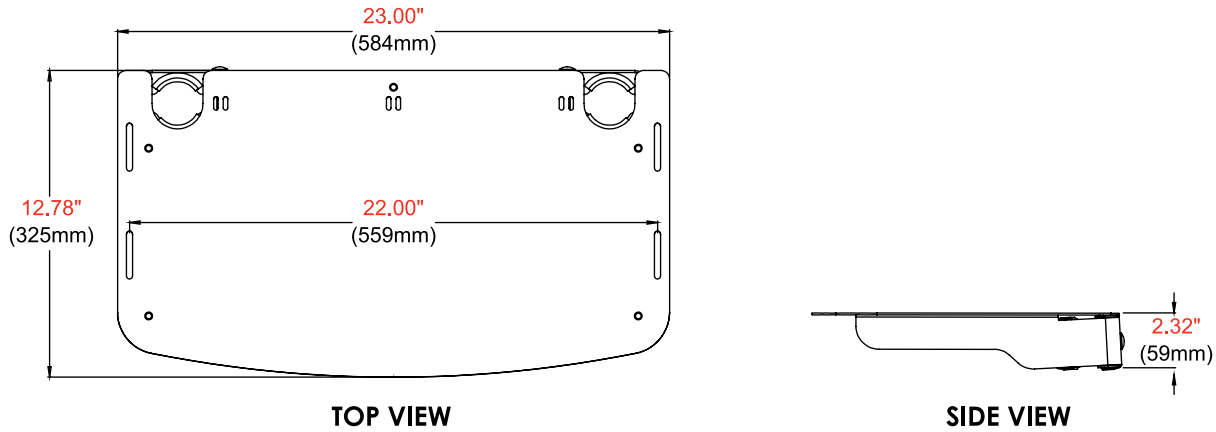
	DIMENSIONS (W X H X D)	PRODUCT WEIGHT	LOAD CAPACITY	FINISH	AVAILABLE COLORS
ACC116	23.00" x 12.78" x 2.32" (584 x 325 x 59mm)	10.2lb (4.6kg)	10lb (4.5kg) per shelf	Textured Powder Coat	White

Package Specifications

	PACKAGE SIZE (W x H x D)	PACKAGE SHIP WEIGHT	PACKAGE UPC CODE	PACKAGE CONTENTS	UNITS IN PACKAGE
ACC116	24.25" x 14.25" x 4.5" (616 x 362 x 114mm)	13.0lb (5.9kg)	735029339885	Metal Shelf and Attachment Hardware	1

Compatible with: **SR560-HUB2:** SmartMount® Cart for the 50.5" Microsoft® Surface™ Hub 2S

All dimensions = **inch** (mm)



Architect Specifications

The SmartMount® Metal Shelf shall be a Peerless-AV model ACC116 and shall be located where indicated on the plans. Assembly and installation shall be done according to instructions provided by the manufacturer.

Visit peerless-av.com to see the complete line of AV solutions from Peerless-AV, including outdoor displays, kiosks, display mounts, projector mounts, carts/stands, and a full assortment of accessories.

Peerless-AV
2300 White Oak Circle
Aurora, IL 60502 USA

(800) 865-2112
(630) 375-5100
Fax: (800) 359-6500

Peerless-AV EMEA
Unit 3 Watford Interchange
Colonial Way, Watford
Herts, WD24 4WP
United Kingdom
+44 (0) 1923 200100
Fax: +44 (0) 1923 200101

Peerless-AV Latin America
Av. de las Industrias 413
Parque Industrial Escobedo
General Escobedo, N.L.,
México, 66062
+52 (81) 8384-8300
Fax: +52 (81) 8384-8360

