

PTS6X4



Mounting Pattern
600 x 402mm
(23.62" x 15.82")



Max Load
115lb
(52.2kg)

Universal TV Stand with Swivel

FOR 55" TO 85" TVs

The PTS6X4 Universal TV Stand provides $\pm 25^\circ$ of swivel to position your TV at the perfect viewing angle. The universal adaptor plate provides compatibility up to a 600 x 400mm VESA® pattern, and it can be mounted at three different heights to seamlessly accommodate your TV. The built-in swivel is located at the top of the tilt head so the base of the stand never moves, just your TV.

- Universal mounting pattern accommodates a variety of TVs with VESA® patterns from 100 x 100mm to 600 x 400mm
- Includes all standard hardware and tools for mounting your TV
- Reinforced steel base provides a stable platform for your TV while providing a high tech look



Comes in color packaging with included installation hardware and easy to follow instructions.



RoHS

Please visit peerless-av.com/en-us/patents for patent information.

✉ info@peerless-av.com
🌐 peerless-av.com

peerless-AV®
Driving Technology Through Innovation

PTS6X4 Universal TV Stand with Swivel for 55" to 85" TVs

Product Specifications

	DIMENSIONS (W x H x D)	PRODUCT WEIGHT	LOAD CAPACITY	FINISH	AVAILABLE COLORS
PTS6X4	25.59" x 36.99" x 14.76" (650 x 939 x 375mm)	22.9lb (10.4kg)	115lb (52.2kg)	Powder Coat	Matte Black Mount with Black Steel Base

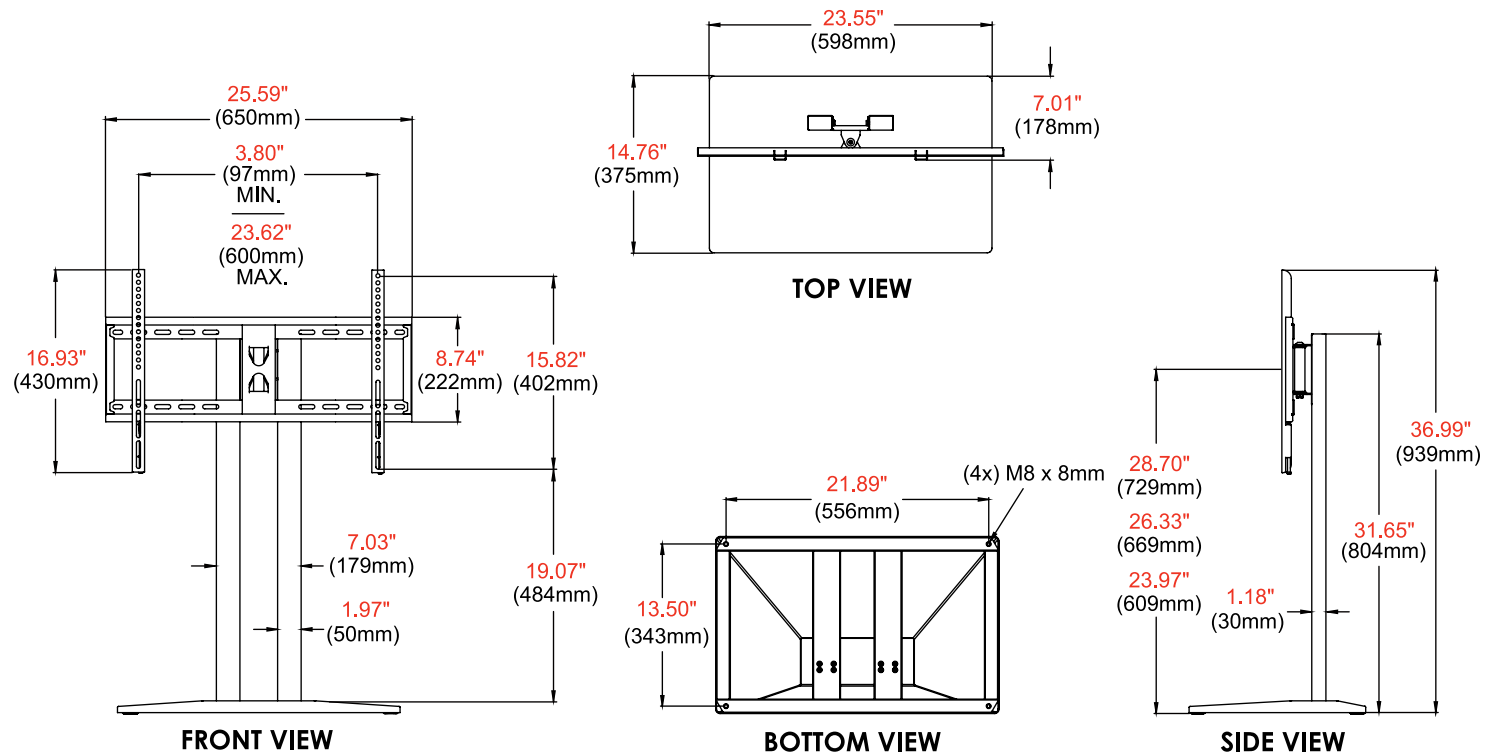
Package Specifications

	PACKAGE SIZE (W x H x D)	PACKAGE SHIP WEIGHT	PACKAGE UPC CODE	PACKAGE CONTENTS	UNITS IN PACKAGE
PTS6X4	34.80" x 18.40" x 6.00" (883 x 467 x 153mm)	28.0lb (12.7kg)	735029342335	Steel Base, (2) Columns, Adaptor Brackets, Adaptor Plate, Hardware and Tools	1

Accessories

- HLC-KIT:** Display Security Kit
- HLC-KIT-Q10:** Display Security Kit (10 pack)

All dimensions = **inch** (mm)



Architect Specifications

The Universal TV Stand with Swivel shall be a Peerless-AV model PTS6X4 and shall be located where indicated on the plans. Assembly and installation shall be done according to instructions provided by the manufacturer.

Visit peerless-av.com to see the complete line of AV solutions from Peerless-AV, including outdoor displays, kiosks, display mounts, projector mounts, carts/stands, and a full assortment of accessories.

Peerless-AV
 2300 White Oak Circle
 Aurora, IL 60502 USA
(800) 865-2112
(630) 375-5100
Fax: (800) 359-6500

Peerless-AV EMEA
 Unit 3 Watford Interchange
 Colonial Way, Watford
 Herts, WD24 4WP
 United Kingdom
+44 (0) 1923 200100
Fax: +44 (0) 1923 200101

Peerless-AV Latin America
 Av. de las Industrias 413
 Parque Industrial Escobedo
 General Escobedo, N.L.,
 México, 66062
+52 (81) 8384-8300
Fax: +52 (81) 8384-8360

