



SALAMANDER DESIGNS



# UST PROJECTOR INTEGRATED CABINETS

DESIGNED FOR SAMSUNG LSP7TF & LSP9TF

THE ALLURE OF BEAUTY  
THE LIGHT OF NEW YORK

# Seamless Stealthy Solution For Virtually Any Decor

A simple installation with no need to open the wall or ceiling to run cables. All supporting components can be enclosed in the credenza to provide a beautiful and simple solution.



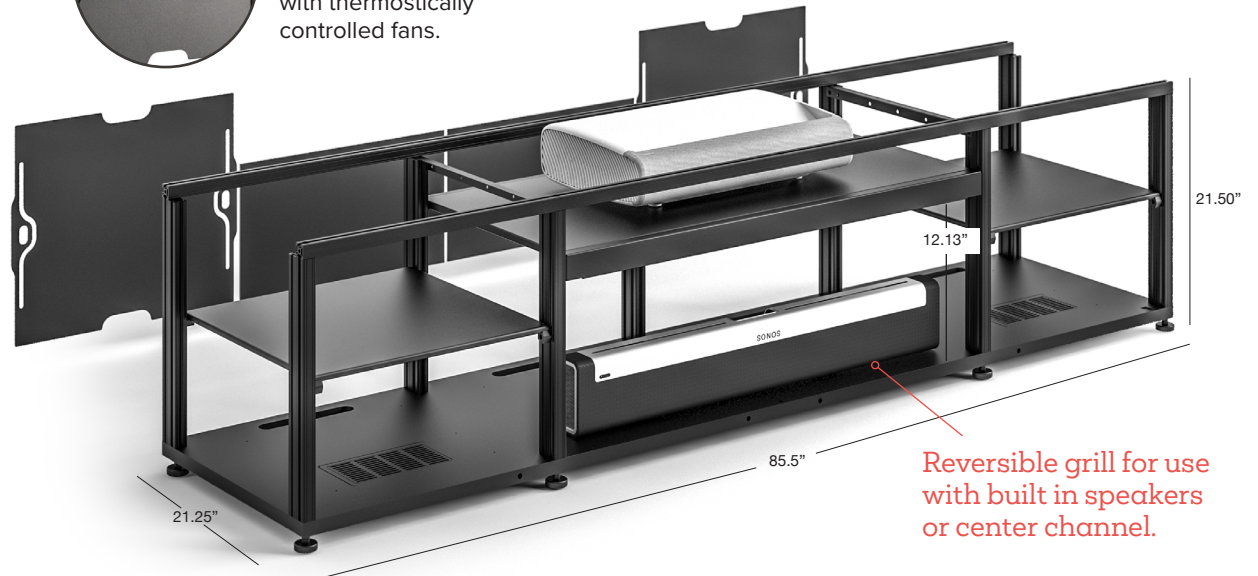
Designed for Samsung  
Cabinet for Integrated Samsung LSP7TF & LSP9TF Projector

## Features:

- Flush top surface, recessed projector cavity design
- Extruded aluminum frame creates a support skeleton
- Pinch-out rear panels to permit fast, easy access to components and wiring
- Wide variety of bolt-on options and accessories are available



**Easy to Install  
Optional Fan Kit**  
prevents heat build-up  
with thermostatically  
controlled fans.



**Reversible grill for use  
with built in speakers  
or center channel.**

## STYLES



**CHICAGO – Black Oak, Grass Texture with  
Black Solid Surface Top**

X/SMG7245CH/BO (SP-LSP7TF)  
X/SMG9245CH/BO (SP-LSP9TF)



**MIAMI – Gloss, Warm White with  
Black Solid Surface Top**

X/SMG7245MM/GW (SP-LSP7TF)  
X/SMG9245MM/GW (SP-LSP9TF)



**OSLO**

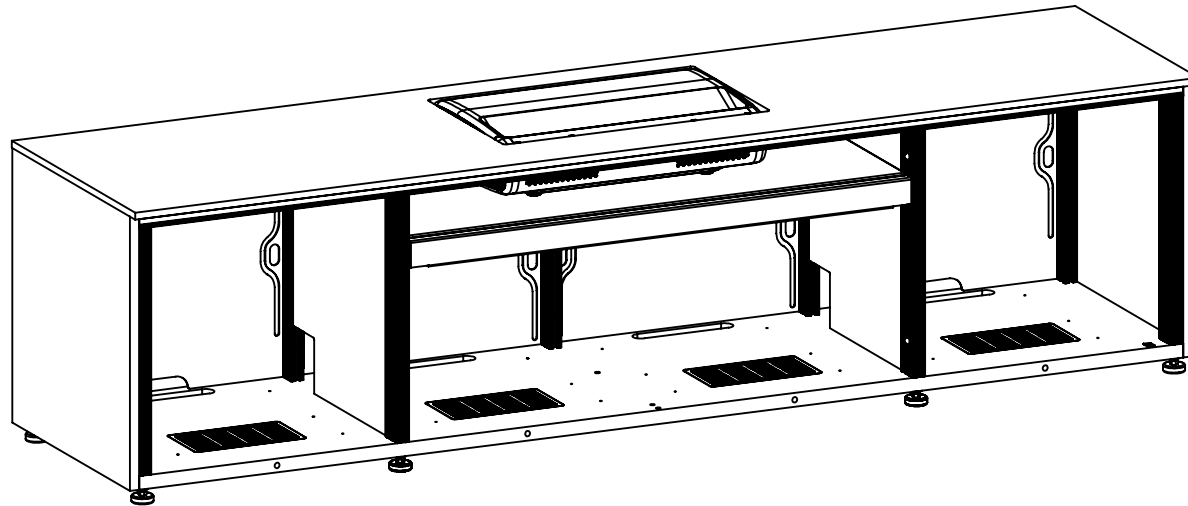
X/SMG7245OS/BG (SP-LSP7TF)  
X/SMG9245OS/BG (SP-LSP9TF)

Projector Sold Separately

© 2021 Salamander Designs Ltd. SalamanderDesigns.com/samsung | 800.535.9910 | v06.21



Salamander Cabinet Designed for  
Samsung LSP7TF Full HD 3LCD Ultra Short-throw Laser Projector

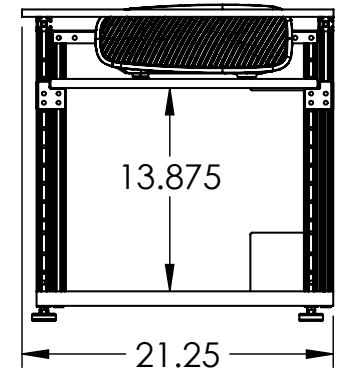
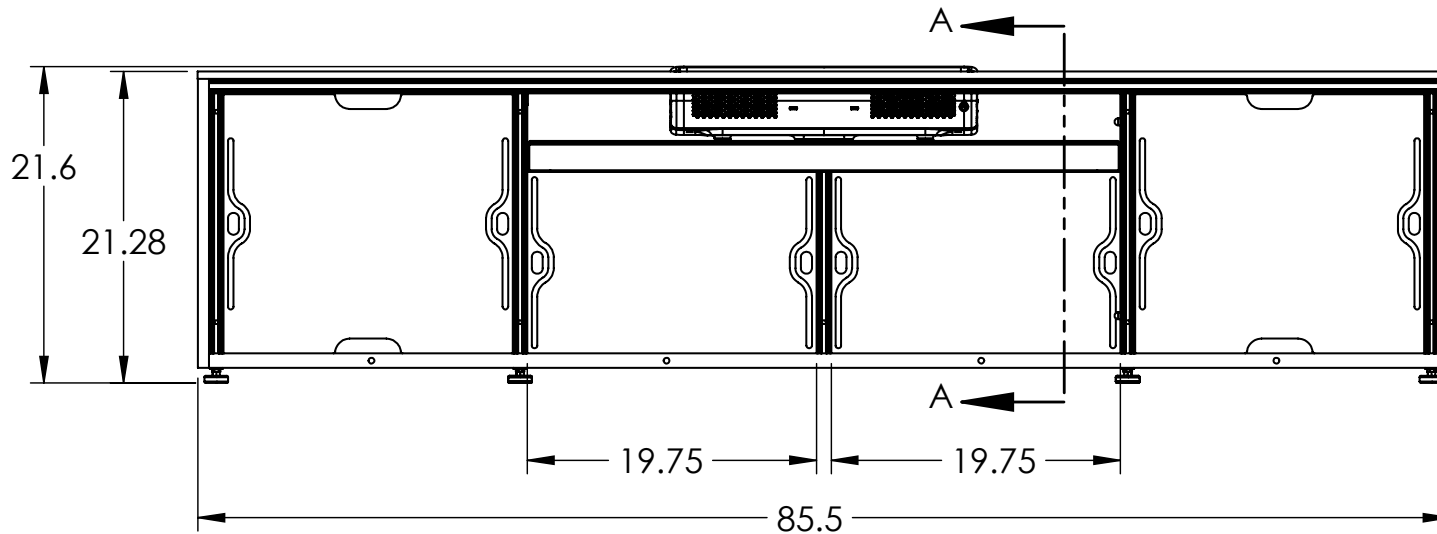


**MIN & MAX  
SCREEN SIZES**

**90" Diagonal Image:**  
Rear of cabinet 7" from screen

**100" Diagonal Image:**  
Rear of cabinet 9" from screen

**120" Diagonal Image:**  
Rear of cabinet 13.5" from screen



SECTION A-A  
SCALE 1 : 14

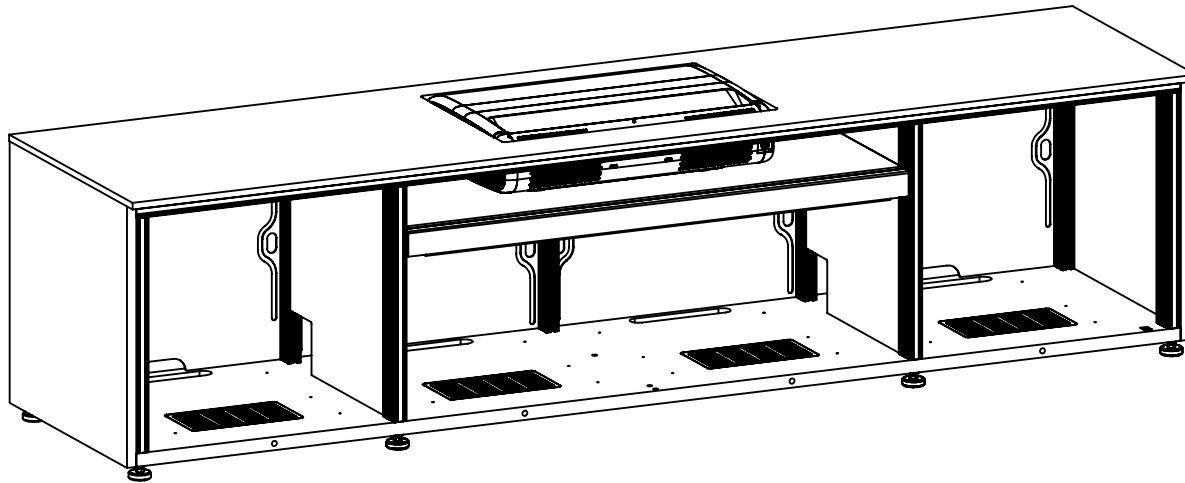
Projector Sold Separately.

© 2021 Salamander Designs Ltd. The information and designs contained in this drawing proprietary of SALAMANDER DESIGNS and may NOT be reproduced. Specifications subject to change without notice.

SalamanderDesigns.com/commercial/samsung | 800.535.9910 | v06.21

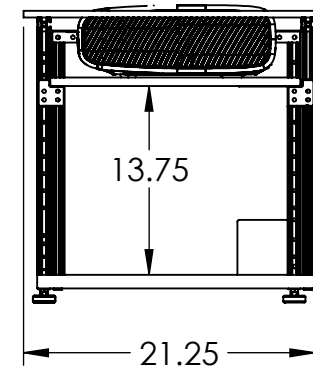
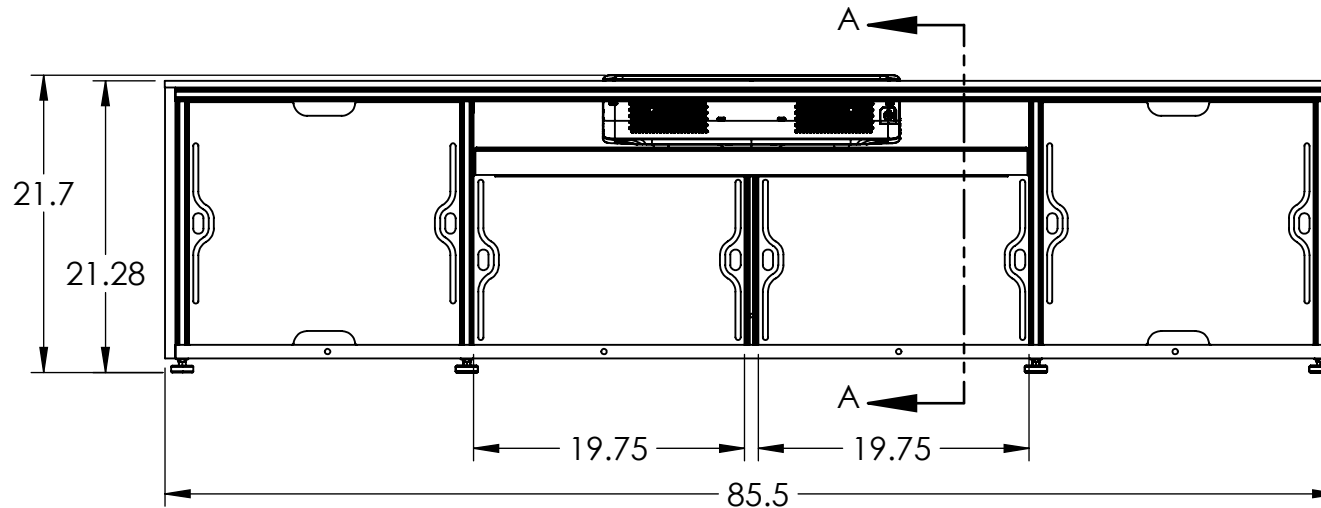


Salamander Cabinet Designed for  
Samsung LSP9TF Full HD 3LCD Ultra Short-throw Laser Projector



**MIN & MAX  
SCREEN SIZES**

- 100" Diagonal Image:**  
Rear of cabinet 1.6" from screen
- 120" Diagonal Image:**  
Rear of cabinet 4.8" from screen
- 130" Diagonal Image:**  
Rear of cabinet 6.5" from screen



SECTION A-A  
SCALE 1 : 14

Projector Sold Separately.

© 2021 Salamander Designs Ltd. The information and designs contained in this drawing proprietary of SALAMANDER DESIGNS and may NOT be reproduced. Specifications subject to change without notice.

SalamanderDesigns.com/commercial/samsung | 800.535.9910 | v06.21

