



6 BAY, DUAL MONITOR LOW-PROFILE, WALL CABINET

D1/367AM2/

Low-profile, shallow depth cabinets are sleek, streamlined solutions for supporting AV/IT technology. Our innovative design conceals all equipment and cables, and simple installation allows them to be affixed to any wall without special preparation.

Available in a variety of styles.



DYO
DESIGN YOUR OWN

See our **full-line catalog** for more customizable credenzas or visit SalamanderDesigns.com/Commercial.

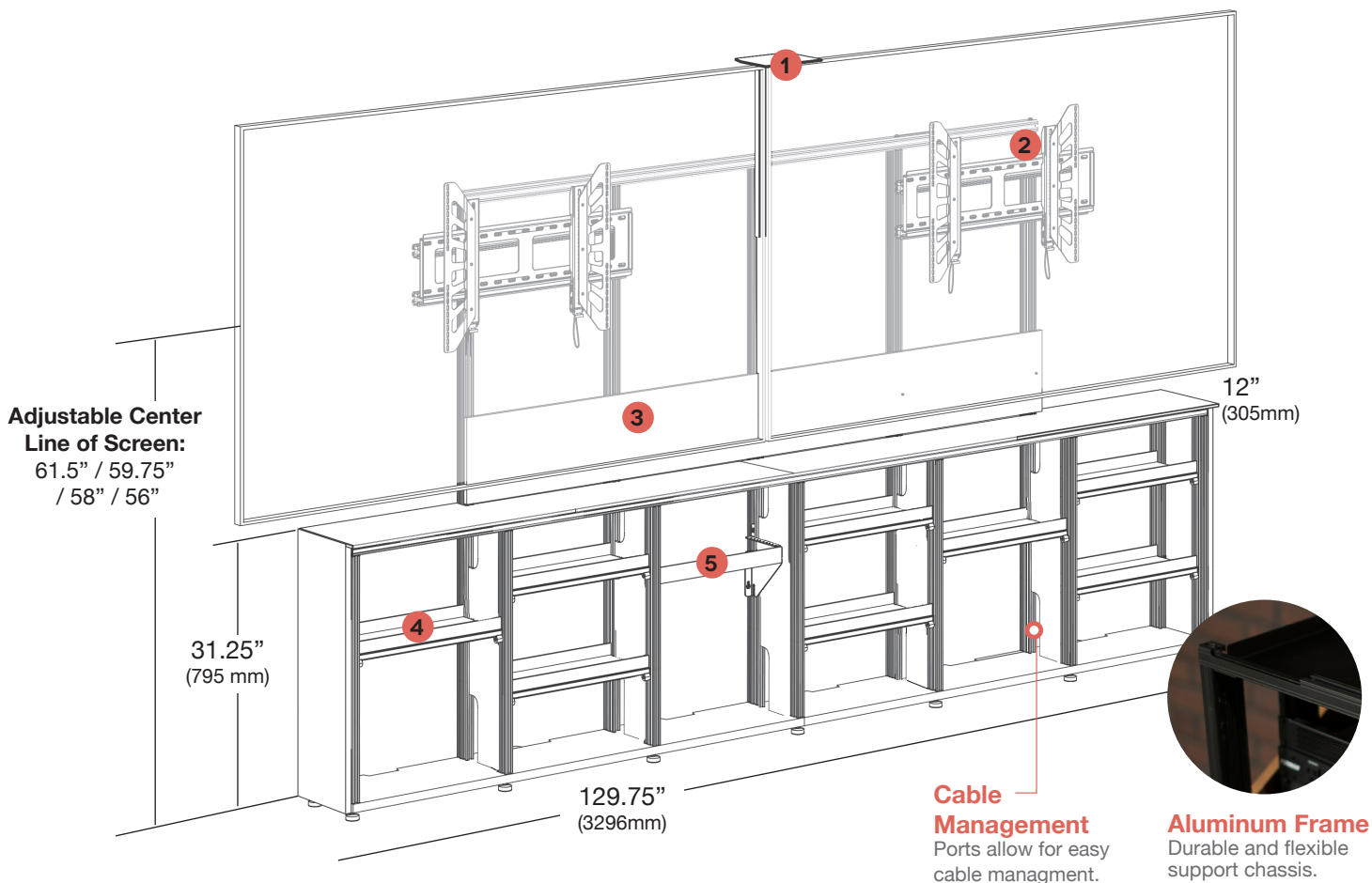




6 BAY, DUAL MONITOR, LOW-PROFILE WALL CABINET

D1/367AM2/

BUNDLE SOLUTIONS



*CABINET INCLUDES:

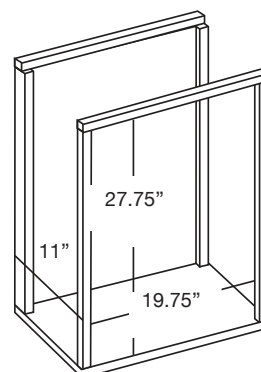
1. (1) Single Camera Shelf
2. (1) Dual Monitor Mount
3. (1) Black, Modesty Panel
4. (8) Adjustable Trays and (12) Shelf Stops
5. (1) 3-U Vertical Rack



Leveler Feet

Typical Interior Bay Dimensions:

19.75"W (502 mm) x 27.75"H (705 mm) x 11"D (279 mm)



** Due to standard shipping constraints, cabinet ships as two cabinets with instructions to easily fasten. Special freight arrangements can be made to ship completely assembled.*



6 BAY, DUAL MONITOR, LOW-PROFILE WALL CABINET

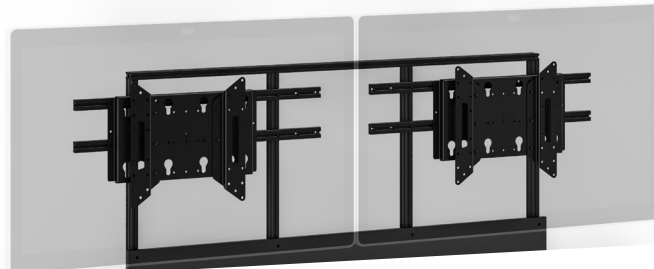
D1/367AM2/

BUNDLE SOLUTIONS

VIDEO INTEGRATION

Dual Monitor Mount

- Holds (2) 55-90", 125 lbs (57kg) ea
- Integrated mount with 11.75"H (298mm) black modesty panel
- Vesa Compliant: Horizontal 200 - 800 mm, Vertical 200 - 500 mm
- Adjustable mounting surface spaced at 5" min (127mm) distance from the wall. The width is adjustable to accommodate the screens listed. Overall height is 70" (1778mm) with wings and 65" (1651mm) to the top of the mount as shipped. all dimensions are subject to change based on style and feet.
- Adjustable Center Line of Screen:
61.5" (1562mm) / 59.75" (1518mm) / 58"(1473mm) / 56" (1422mm)



Camera Shelf

- Fully adjustable height.
- Single Shelf: 10"W (254mm) x 6"D (152mm) x .25"Th (6mm)
- Dual Shelf: 10"W (254mm) x 6"D (152mm) x .5"Th (13mm)
- Maximum Weight Capacity of 5 lbs (2 kgs)

Dual Camera Shelf Available
CA/CM/D

INTERIOR STORAGE

Adjustable Trays

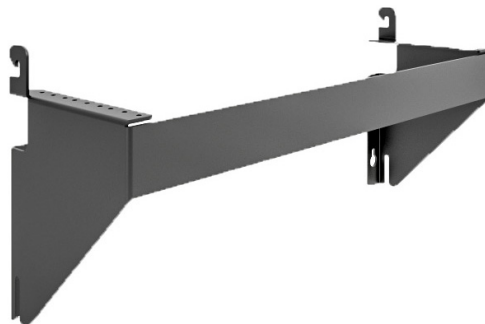
- Measures: 19.75"W (502mm) x 7.875"D (200mm) x 1.5"H (38mm)
- Maximum Weight Capacity of 30 lbs (13.6 kgs)
- Constructed of 1/2" (12mm) MDF
- Shelves can be used flat or add a backstop or two to convert shelves to adjustable trays.
- Includes 8 Adjustable Trays and 12 shelf stops.





3-U VERTICAL RACK

- Rack is mounted to cabinet frame, for industry standard 19" pro audio rack mounting
- 3 rack units of vertical mounted, knob up component storage
- Threaded for 10-32 screws
- Black powder coated steel



Length	572 mm	22.5 inch
Overall Height	419 mm	16.5 inch
Depth	190.5 mm	7.5 inch
Weight	3.63 kg	8 lbs
Capacity	81 kg	40 lbs

Wire Lacing Bars Available
RM/VR/3U



6 BAY, DUAL MONITOR, LOW-PROFILE WALL CABINET

D1/367AM2/

BUNDLE SOLUTIONS

STYLES

We select the finest materials and finishes. Choose from sleek, hand-polished, high-gloss finishes to richly textured real wood fronts. All styles come with standard leveler feet.

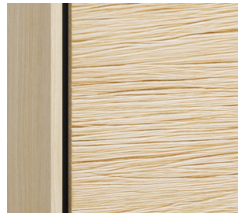
If you are looking for something different or special please contact us to discuss custom options.



BERLIN*
Wenge,
Wave-Texture Doors



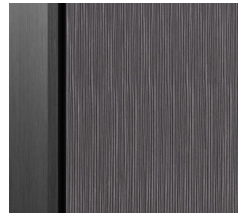
CHICAGO*
Black Oak,
Grass-Textured Doors



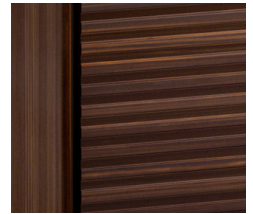
DENVER – OAK*
Natural Oak,
Bark-Textured Doors



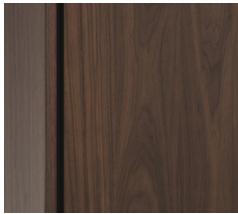
DENVER – WALNUT*
Medium Walnut,
Bark-Textured Doors



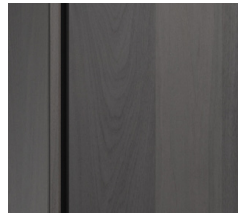
SEATTLE*
Gray Oak,
Bark-Textured Doors



ZURICH*
Opium Brown,
Linear Texture Doors



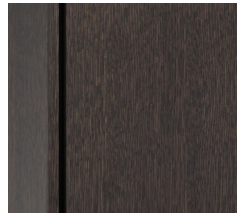
SIENNA*
Medium Walnut,
Flat-Front
Wood Doors



SIENNA*
Gray Walnut,
Flat-Front
Wood Doors



SIENNA*
Black Oak,
Flat-Front
Wood Doors



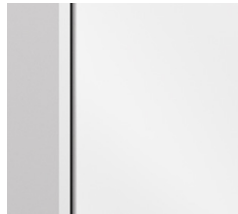
SIENNA*
Wenge Oak,
Flat-Front
Wood Doors



SIENNA*
Natural Oak,
Flat-Front
Wood Doors



MILAN*
Dimensional, Diamond
Pattern, White



MIAMI*
Gloss Warm White