



SALAMANDER
DESIGNS

Furniture Shaped By Your Needs ®

COLLABORATION FURNITURE

BUNDLE SOLUTIONS



4 BAY, SINGLE XL MONITOR LOW-PROFILE, WALL CABINET D1/347AMXL/

Low-profile, shallow depth cabinets are sleek, streamlined solutions for supporting AV/IT technology. Our innovative design conceals all equipment and cables, and simple installation allows them to be affixed to any wall without special preparation. Beautiful furniture solutions that integrate the 84" Surface Hub™. Easily attaches to wall to form a slim design that allows comfortable standing use of the touch screen while providing plenty of storage for technology enhancing accessories.

Available in a variety of styles.



DYO
DESIGN YOUR OWN

See our **full-line catalog** for more customizable credenzas or visit SalamanderDesigns.com/Commercial.

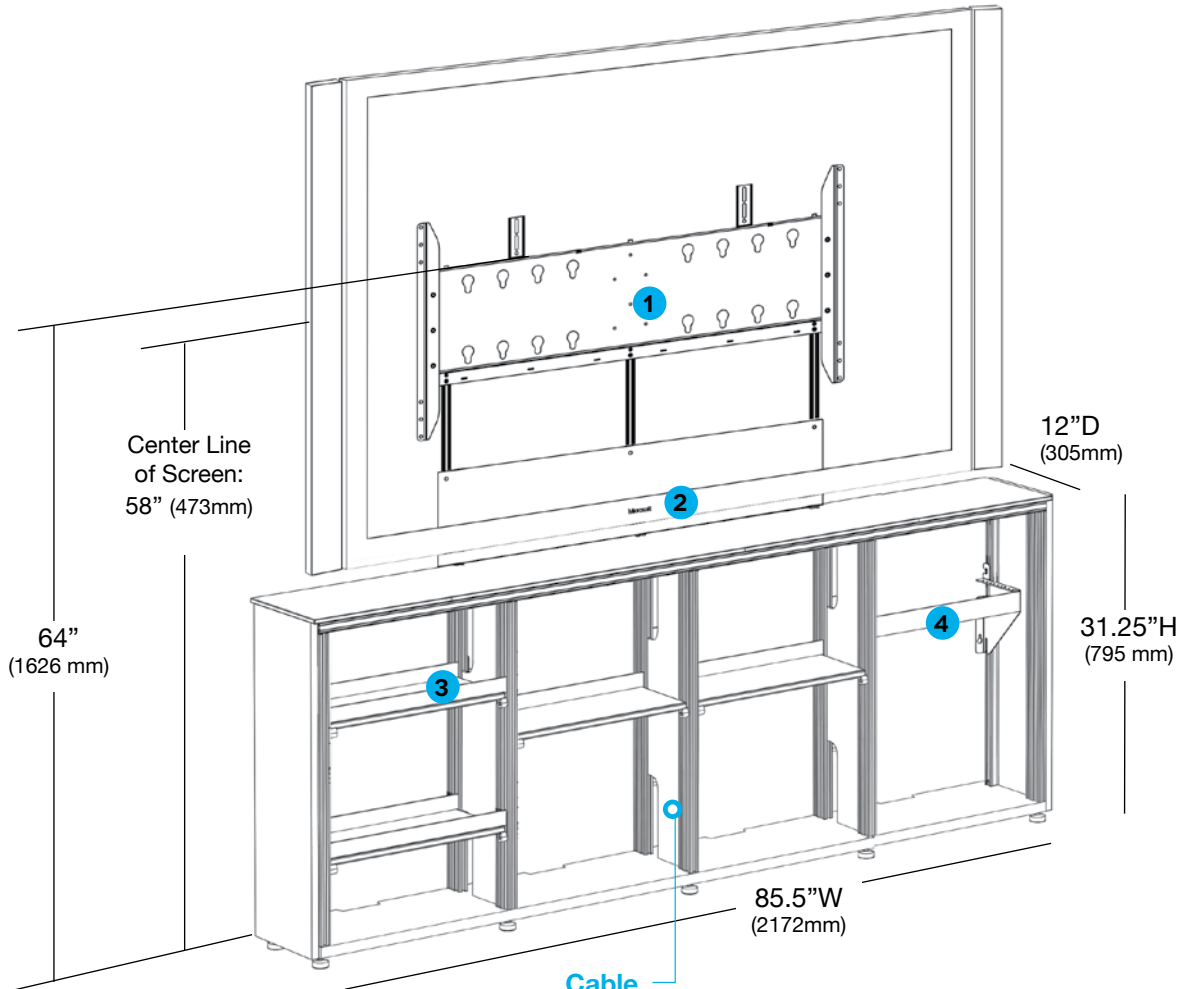




4 BAY, SINGLE XL MONITOR, LOW-PROFILE WALL CABINET

D1/347AMXL/

BUNDLE SOLUTIONS



Aluminum Frame
Durable and flexible support chassis.



Leveler Feet

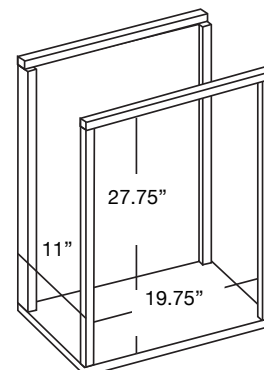
Cable Management
Ports allow for easy cable management.

CABINET INCLUDES:

1. (1) XL Monitor Mount: Holds 65-100", 400 lbs (181 kg).
2. (1) Black, Modesty Panel
3. (4) Adjustable Trays and (6) Shelf Stops
4. (1) 3-U Vertical Rack

Typical Interior Bay Dimensions:

19.75"W (502 mm) x 27.75"H (705 mm) x 11"D (279 mm)

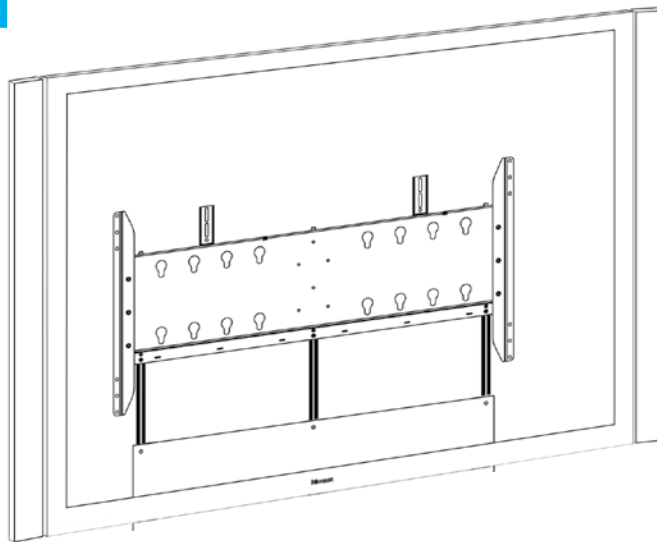




VIDEO INTEGRATION

XL Monitor Mount

- Holds 65-90", 300 lbs (136 kg)
- Integrated mount with 11.75"H (298mm) black modesty panel
- Vesa Compliant
Horizontal: 400, 600, 800, 1000, 1200mm
Vertical: 400, 500, 600mm



Integrate Camera(s) with Optional Shelf

- Fully adjustable height.
- Single Shelf (CA/CM/S): 10"W (254mm) x 6"D (152mm) x .25"Th (6mm)
- Dual Shelf (CA/CM/D): 10"W (254mm) x 6"D (152mm) x .5"Th (13mm)
- Maximum Weight Capacity of 5 lbs (2 kgs)

INTERIOR STORAGE

Adjustable Trays

- Measures: 19.75"W (502mm) x 7.875"D (200mm) x 1.5"H (38mm)
- Maximum Weight Capacity of 30 lbs (13.6 kgs)
- Constructed of 1/2" (12mm) MDF
- Shelves can be used flat or add a backstop or two to convert shelves to adjustable trays.
- Includes 4 adjustable trays and 6 shelf stops.





3-U VERTICAL RACK

- Rack is mounted to cabinet frame, for industry standard 19" pro audio rack mounting
- 3 rack units of vertical mounted, knob up component storage
- Threaded for 10-32 screws
- Black powder coated steel

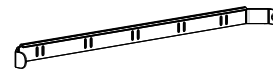


Length	572 mm	22.5 inch
Overall Height	419 mm	16.5 inch
Depth	190.5 mm	7.5 inch
Weight	3.63 kg	8 lbs
Capacity	81 kg	40 lbs

Wire Lacing Bars Available

SLM-RM/VR/3U

MFG# RM/VR/3U





4 BAY, SINGLE MONITOR, LOW-PROFILE WALL CABINET

D1/347AMXL/

BUNDLE SOLUTIONS

STYLES

We select the finest materials and finishes. Choose from sleek, hand-polished, high-gloss finishes to richly textured real wood fronts. All styles come with standard leveler feet.

If you are looking for something different or special please contact us to discuss custom options.

TEXTURED

BLACK & WHITE



BERLIN
SLM-D1/347AMXL/BL/WE
Wenge, Wave-Texture Doors with 1/2" (12mm) Black, Solid Surface
Mfg# D1/347AMXL/BL/WE



CHICAGO
SLM-D1/347AMXL/CH/BO
Black Oak, Grass-Textured Doors with 1/2" (12mm) Black, Solid Surface
Mfg# D1/347AMXL/CH/BO



OSLO
SLM-D1/347AMXL/OS/BG
Black Oak Sides, Black Glass Doors with 1/2" (12mm) Black, Solid Surface
Mfg# D1/347AMXL/OS/BG



DENVER / OAK
#SLM-D1/347AMXL/DV/NO
Natural Oak, Bark-Textured Doors with 1/2" (12mm) Black, Solid Surface
Mfg# D1/347AMXL/DV/NO



DENVER / WALNUT
SLM-D1/347AMXL/DV/MW
Medium Walnut, Bark-Textured Doors with 1/2" (12mm) Black, Solid Surface
Mfg# D1/347AMXL/DV/MW



MIAMI / BLACK
SLM-D1/347AMXLMMGWBK
Gloss Warm White Doors with 1/2" (12mm) Black, Solid Surface
Mfg# D1/347AMXL/MM/GW/BK



ZURICH
#SLM-D1/347AMXL/ZU/OB
Linear Texture - Opium Brown Doors with 1/2" (12mm) Black, Solid Surface
Mfg# D1/347AMXL/ZU/OB



MIAMI / WHITE
SLM-D1/347AMXLMMGWWH
Gloss Warm White Doors with 1/2" (12mm) White Solid Surface
Mfg# D1/347AMXL/MM/GW/WH