



OVERVIEW

The PoE IP Call Box (IPSCB) functions as a durable, SIP enabled intercom that can initiate a two-way conversation with the push of a button.

AUDIO



2.5" moisture resistant speaker

MICROPHONE



Hands-free talk back Monitoring

LED BUTTON



Button illuminates red after button press

SIP INTEGRATION



SIP-enabled
Easily interfaces with VoIP/SIP phone systems

ANALOG INTEGRATION



Dry or 17.5VDC relay contact for auxiliary control such as door locks or tamper alert signal

SOFTWARE



Diagnostic software included
Compatible with third-party software, including InformaCast, Revolution, and Cisco CallManager

OUTDOOR APPLICATIONS



Outdoor rated to IP54
Weather resistant enclosure
Tamper resistant hardware

SOLUTIONS

- Intercom
- Access control
- Security monitoring

ADDITIONAL FEATURES

- Tamper alert hardware can detect and alert when box is opened
- Tamper-resistant enclosure screws included
- Built-in web server
- Full multicast and broadcast support
- Requires Cat5 or Cat6 cable with PoE
- 1 general purpose output relay

COMPATIBLE PERIPHERAL

Strobe Kit
AND-STROBE-KIT-1

SOFTWARE

The IPCSB integrates easily with third-party mass notification software, as well as SIP and VoIP phone systems, enabling a facility to take advantage of all the device capabilities. The device also comes with diagnostic software (compatible to run alongside third-party software), and an on-board web server interface, both which provide the ability to monitor and troubleshoot the ANetD devices on the network.

Third-Party Software

- InformaCast (Singlewire)
- Revolution (Syn-Apps)
- IPSession (IPCelerate)
- MessageNet Systems
- BellComander (Acro Vista)
- And more!

VoIP Phone Systems

- Cisco CallManager
- Mitel
- Avaya
- 3CX
- Polycom
- And more!

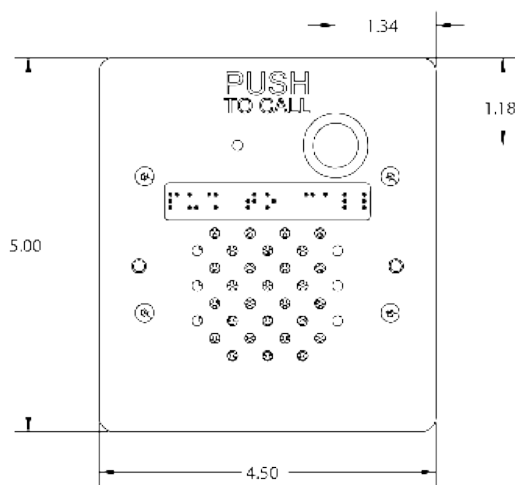
IPClockWise

- Diagnostic tool included with device purchase
- Complements investment in third-party software
- Developed and supported by Advanced Network Devices

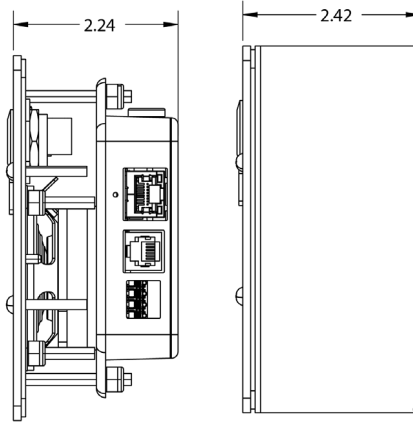
DIMENSIONS

Front

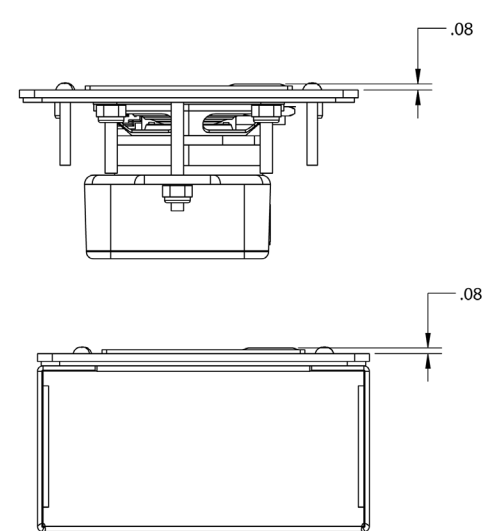
Optional braille placard shown



Side



Side



SPECIFICATIONS

IPSCB

ETHERNET I/F	10/100 Mbps
SPEAKER SIZE	2.5"
AVERAGE SENSITIVITY	87 dB, 1W /1M
FREQUENCY RESPONSE	200 Hz - 6 kHz
AUDIO PAYLOAD TYPES	G711, A-law and μ -law
POWER INPUT	PoE (IEEE802.3af) 15.4 W or PoE+ (IEEE802.3at) 30.0 W
SUPPORTED PROTOCOLS	SIP, IPv4, IPv6, 802.1X, HTTP, SLP, TFTP, NTP, SNMPV1 & SNMPV2c, DHCP, IGMP, ICMP, TCP/IP, LLDP-MED, UDP, MDNS & MDNS-SD
OPERATING TEMPERATURE	-10° TO 50° C (14° TO 122° F)
DIMENSIONS	4.5" W x 5" H x 2.4" D
WEIGHT	2.6 lbs (1.2 kg)
WARRANTY	2 Year Limited

Due to continual product development, specifications are subject to change without notice.

