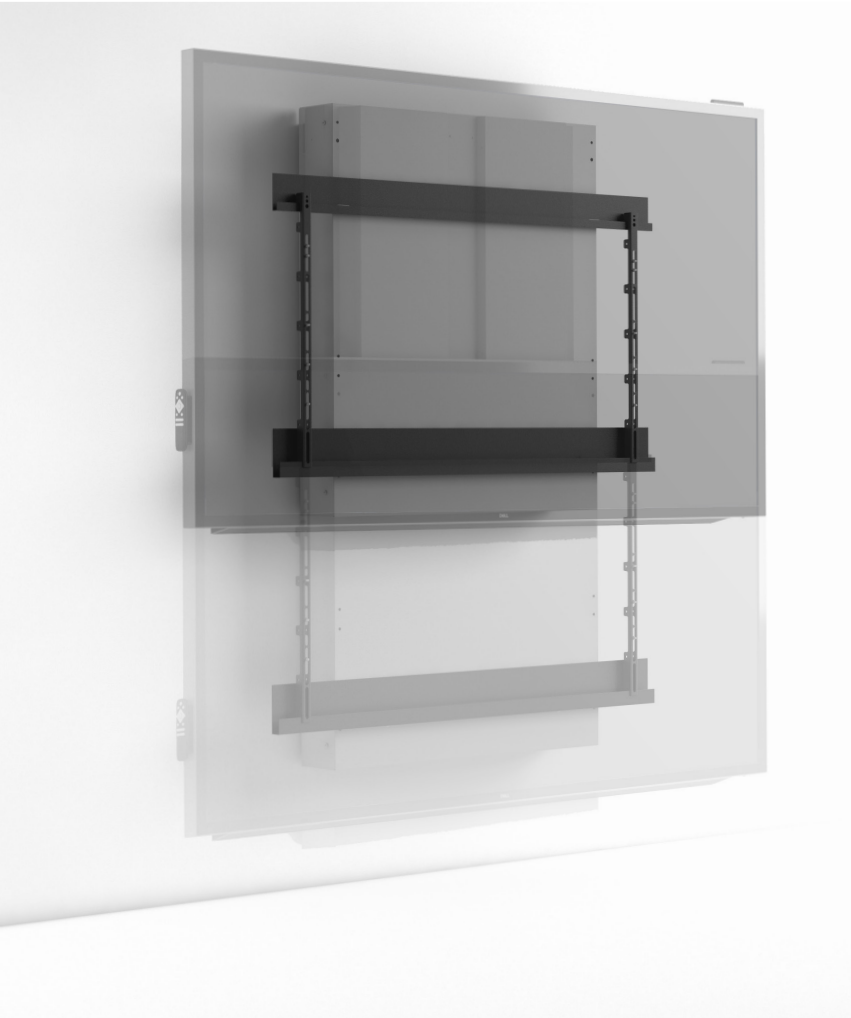




# EXTRA LARGE MANUAL ASSIST WALL MOUNT

EZ1/ML360



Take control of creative, presentation and collaboration work spaces. Salamander's simple and highly functional EZ-Touch wall mount offer superior ergonomics complementing any touch screen display with improved productivity, unrivaled flexibility and lifetime value.

Designed for VESA compliant Interactive displays. EZ-Touch mounts behind your interactive display and delivers smooth, effortless and intuitive high-low transitions reliably.

- Adjustable counter-spring provides smooth, effortless and intuitive high-low transition
- Vertical range is 25.6 inches
- Compact design: hidden behind the screen
- Extremely reliable; tested to 60,000 cycles or 10 years of usage
- Fast and easy mounting
- No maintenance needed
- **Load Capacity Range:** 196 to 361 lbs (89-164 kg)

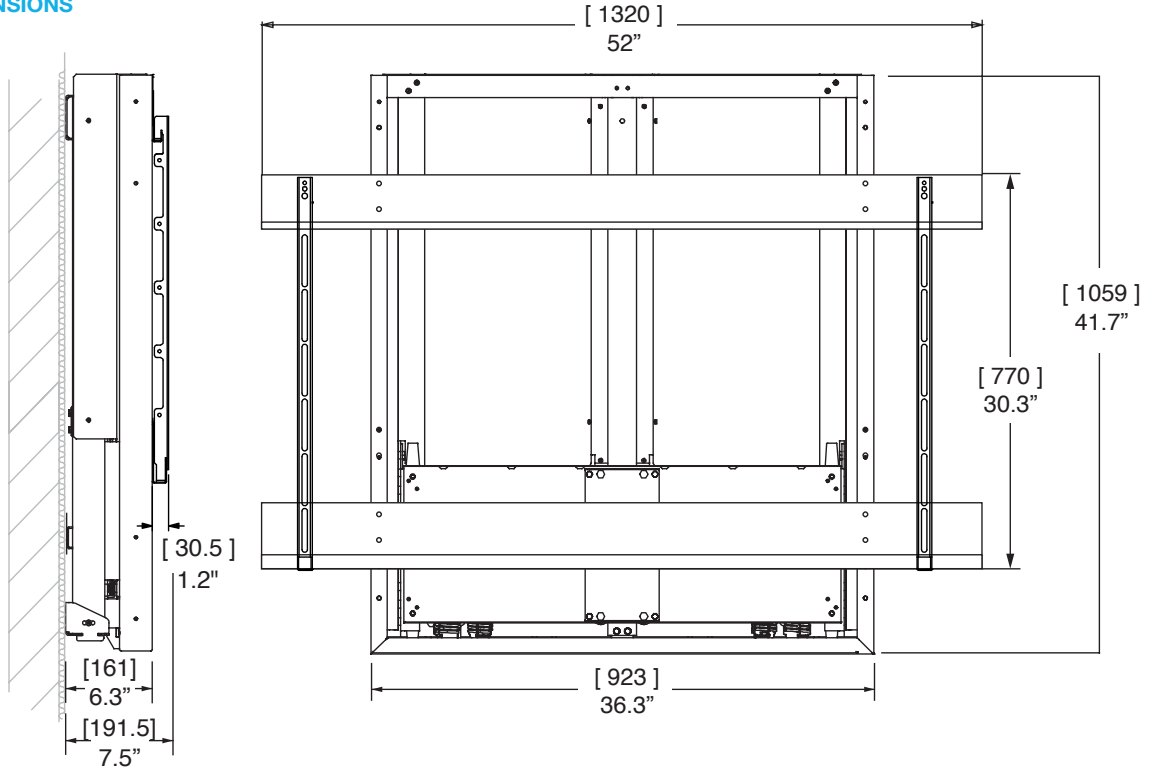


# EXTRA LARGE MANUAL ASSIST WALL MOUNT

EZ1/ML360

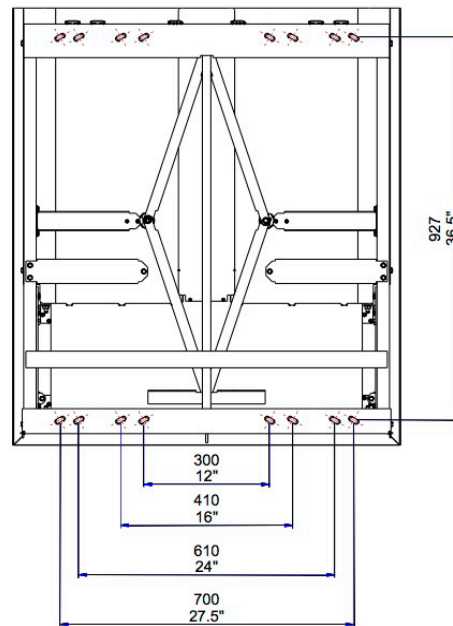


## PRODUCT DIMENSIONS



## WALL MOUNTING HOLE DIMENSIONS

Fasteners not included, select based on type of wall. Be sure wall structure is sufficient to handle load. Accommodates 3/8 inch (10 mm) fasteners.





# EXTRA LARGE MANUAL ASSIST WALL MOUNT

EZ1/ML360



| PRODUCT SPECIFICATIONS     | Metric (mm)      | US/Imperial Inches | SHIPPING DIMENSIONS |           |         |         |
|----------------------------|------------------|--------------------|---------------------|-----------|---------|---------|
|                            |                  |                    | BOX 1               |           | BOX 2   |         |
| Width                      | 923              | 36.3               | 1005 mm             | 39.6 inch | 152 mm  | 6 inch  |
| Height                     | 1058             | 41.7               | 1155 mm             | 45.5 inch | 132 mm  | 52 inch |
| Screen Range of Travel     | 650              | 25.6               |                     |           |         |         |
| Depth                      | 161              | 6.3                | 240 mm              | 9.4 inch  | 76 mm   | 3 inch  |
| Weight                     | 83 kg            | 182 lbs            | 75 kg               | 165 lbs   | 37.4 kg | 17 lbs  |
| <b>Load Capacity Range</b> | <b>89-164 kg</b> | <b>196-361 lbs</b> |                     |           |         |         |
| UPC Number                 | 634878215510     |                    |                     |           |         |         |



**VESA COMPLIANT MOUNT PATTERN**

Horizontal: 400-1200mm

Vertical: 400-600mm

**WALL FASTENING**

Fasteners not included, select based on type of wall. Be sure wall structure is sufficient to handle load. Accommodates 3/8 inch (10 mm) fasteners.

