



# ELECTRIC LIFT MOBILE STAND

## DESIGNED FOR CISCO WEBEX BOARD

FPS1/EL/CS/GG



Take control of creative, presentation and collaboration work spaces. Salamander's beautiful and highly functional FPS Series Mobile Stands offer superior ergonomics complimenting any touch screen display with improved productivity, unrivaled flexibility and lifetime value.

A stylish, sleek and compact design moves easily between spaces. A thoughtful range of accessories provides even more utility and an improved user experience.

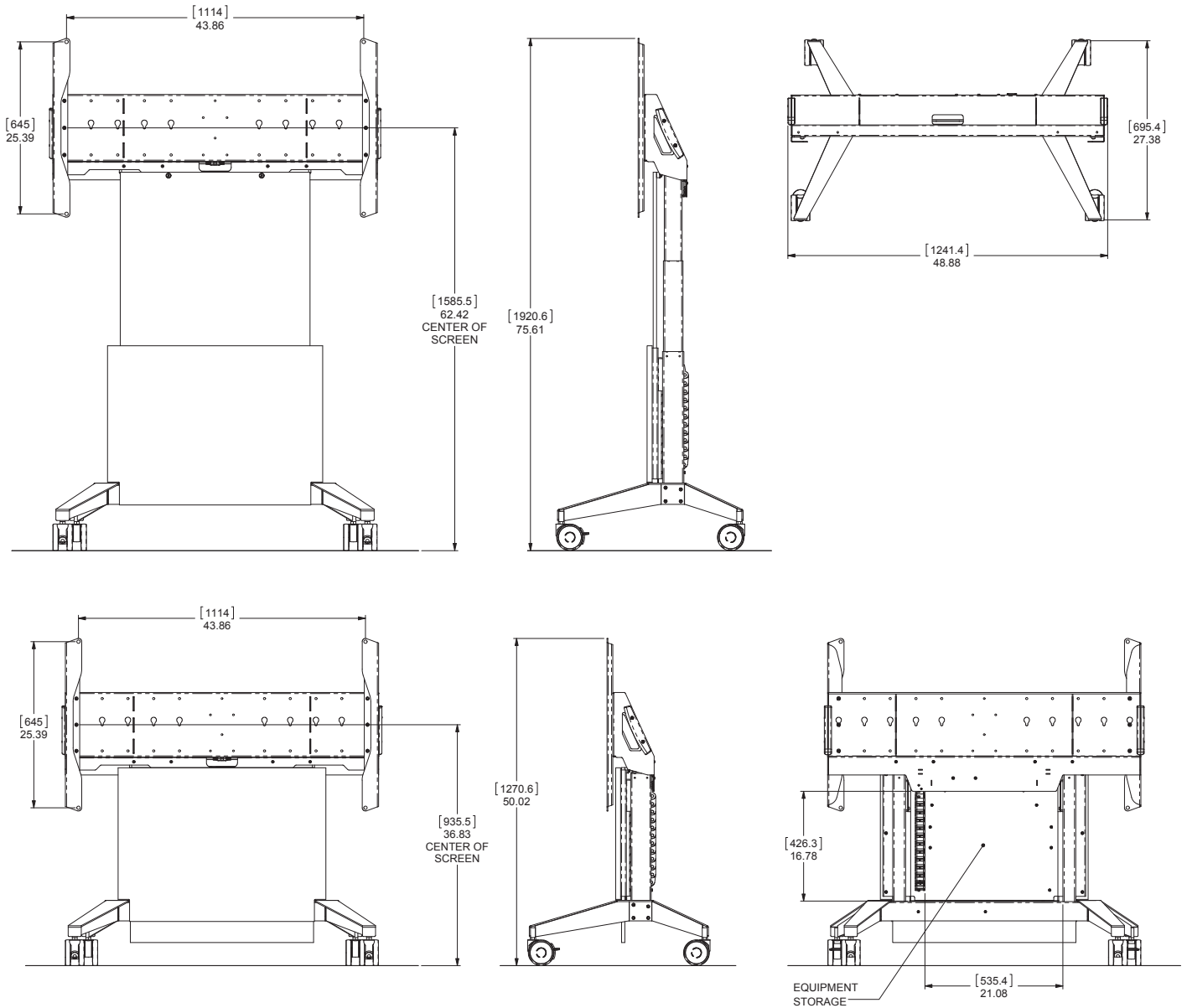
- Mobile stand for interactive display / touchscreen panel
- Motorized Electric Lift and wired remote
- Supports Cisco Webex board
- Ergonomic design. Adjustable height positioning provides best possible ergonomics and viewing
- ADA compliant design
- Superior mobility. High quality commercial grade locking casters and integrated handles provide easy maneuverability and transport
- Fully concealed cable management allows clean and uncluttered installation
- Range of travel, Center of screen : Min- 36.83" (935.5 mm) and Max 62.42" (1585.5 mm)
- Storage for electronic components, peripherals and accessories
- Telescopic design allows compact position for transport and storage
- Durable construction. Made in USA of powder coated steel, Linak Motor components, Powder coated and/or veneered MDF panels
- Options available for peripheral equipment mounting, retractable cable reel, secure equipment storage cover, keyboard tray and more
- Limited Lifetime Warranty





# ELECTRIC LIFT MOBILE STAND DESIGNED FOR CISCO WEBEX BOARD

FPS1/EL/CS/GG





# ELECTRIC LIFT MOBILE STAND

## DESIGNED FOR CISCO WEBEX BOARD

### FPS1/EL/CS/GG

PRODUCT SPECIFICATIONS	Metric (mm)	US/Imperial Inches	SHIPPING DIMENSIONS		
	Length	1241	48.8	1251 mm	49.25 inch
Overall Height Range	1271 - 1921	50.02 - 75.61	1048 mm	41.25 inch	
Center of Screen Range of Travel	935.83 - 1585.5	36.83 - 62.42			
Depth	695.4	27.38	368.3 mm	14.5 inch	
Weight	81.2 kg	179 lbs	81.2 kg	179 lbs	
<b>Max Load Capacity</b>	<b>79.38 kg</b>	<b>175 lbs</b>			
UPC Number	634878400176				

**SUPPORTS CISCO 55" WEBEX BOARD**

1114 x 654mm  
Display Mounting - M12 Screws

**CASTER WHEELS**

4" (100mm) HD, Non Marking, Brakes on two

**ELECTRICAL INFORMATION**

Input: 90V - 240V ~, 48 Hz - 63HZ  
Duty Cycle: 10% Max 2min / 18min

**CABLE MANAGER CHAIN**

1" x .75" x 34" (25 x 19 x 865mm)

**POWER CABLE**

IEC - Type Class 2, 2-prong  
USA Included: (PN 400-590)

Available:

EU (PN 400-591)

UK (PN 400-592)

New Zealand, Australia and others (PN 400-593)

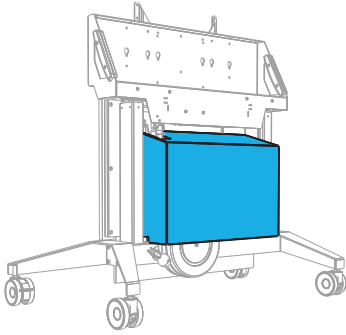




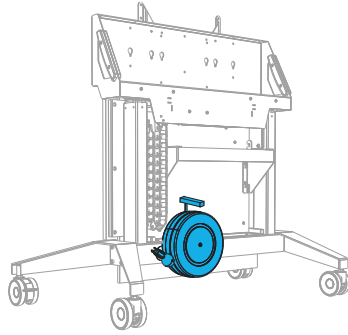
# ELECTRIC LIFT MOBILE STAND

## DESIGNED FOR CISCO WEBEX BOARD

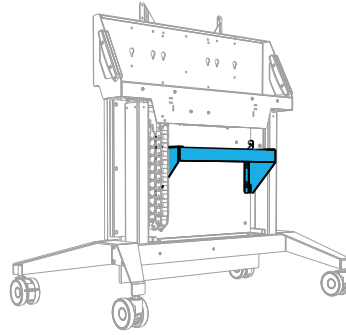
FPS1/EL/CS/GG



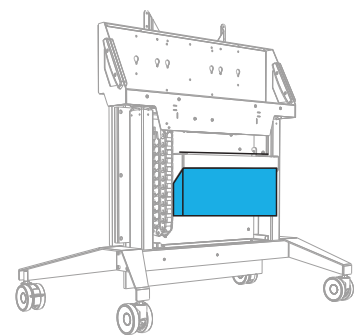
**Equipment Storage  
Cover- Graphite**  
FPSA/SC/GT



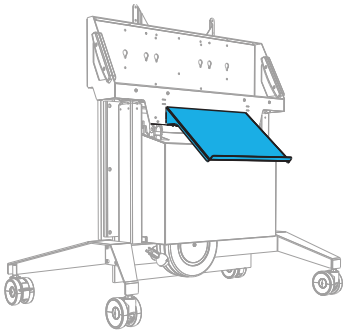
**Cable Reel 30' Payout, 24"  
Tri-Tap Female End**  
FPSA/CR



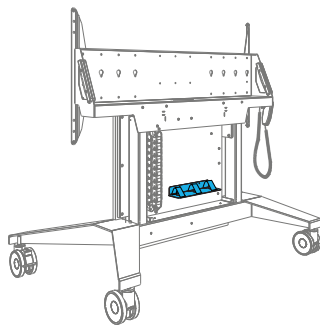
**19" Rack Mounting 3 RU**  
RM/VR/3U



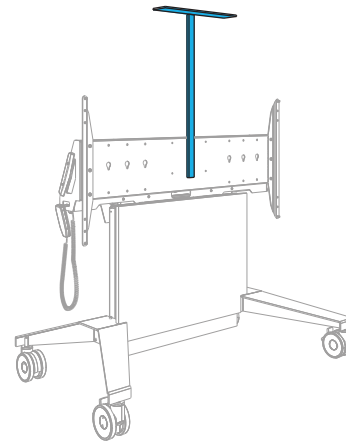
**Power Distribution Unit**  
SA/RM/PDU



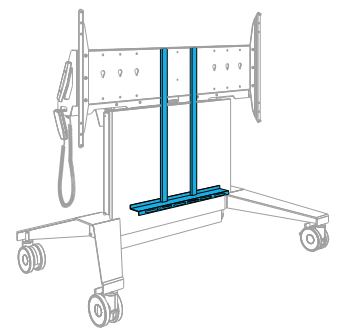
**Keyboard Storage  
Shelf- Graphite**  
FPSA/KS/GT



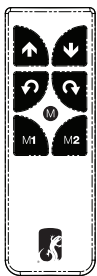
**Accessory Shelf  
with Straps**  
FPSA/AS1



**Camera Mount Shelf**  
FPSA/CS



**Speaker Bracket Kit**  
FPSA/SBK



**Wireless RF Remote  
Control with Memory**  
FPSA/RF1

**ROAD CASE**  
FOR EASY DEPLOYMENT

Combine a mobile stand with a road case to provide secure and convenient transport of your display.

Accommodates Stand & Display

FPSA/RC/EL

