

SS598ML3



Mounting Pattern
Up to 800 x 600mm
(31.49" x 23.62")



Max Load
280lb
(127kg)

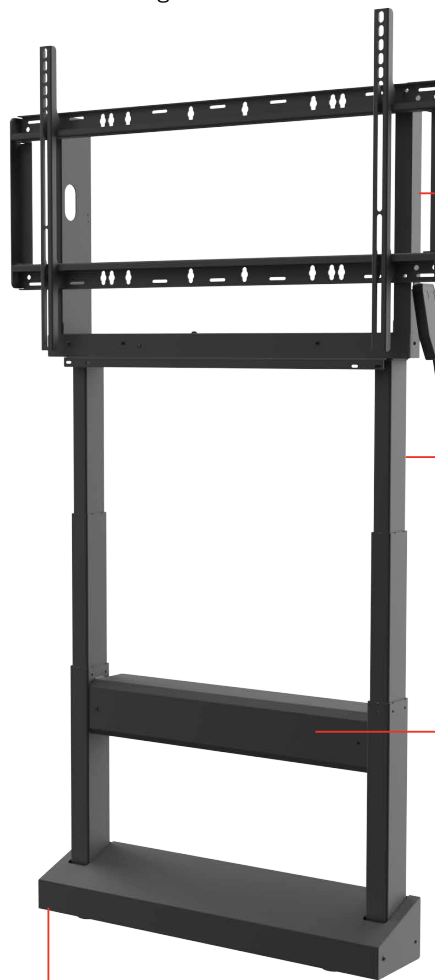
SMARTMOUNT.

Motorized Height Adjustable Stand/Wall Mount

FOR 42" TO 86" INTERACTIVE DISPLAYS

Peerless-AV's SmartMount® Motorized Height Adjustable Stand/Wall Mount was designed to safely mount, raise and lower an interactive display. UL recognized actuators allow the user to raise or lower a display, up to 25.6" (650mm), with the touch of a button. The highly stable design can rest on the floor, or be bolted directly to either the floor or wall. The rear wall plate provides access to mount a Peerless-AV® surge protector or a mini PC, and the bottom shelf provides an area to store a digital pen or eraser. This unique mounting surface allows various users the ability to comfortably interact with a display, making it an ideal solution for education settings.

- Display height can be adjusted up to 25.6" (650mm) with the touch of a button
- Display adaptor fits from 200 x 200 to 800 x 600mm mounting patterns
- Pre-assembled base provides rigidity, stability and quick assembly
- Safety limit switch automatically reverses direction and stops when a collision is detected in an upward, downward or lateral force
- Textured black powder coat finish helps hide finger prints and dust



REAR STORAGE

Provides up to 29"W x 13.5"H x 4"D storage for mini PCs, such as Dell Optiplex Micro, HP 260 G2, Lenovo M600 Tiny, or Intel NUC



VERTICAL ADJUSTMENT

Center of display is adjustable from 34"-60" from the floor

SUPPORT COVER

Hides hardware and doubles as a small shelf for digital pens and erasers

LEVELING LEGS

Allow the stand to be positioned properly, even on unlevel surfaces



Shown with Display



Shown with Optional Standoff Plate (ACC114) to Provide 3.5", 4", 4.5" or 5" of Clearance Between the Stand and the Wall



RoHS
2002/95/EC



Complies with the ADA Standards for Accessible Design, Section 308.

SS598ML3 SmartMount® Motorized Height Adjustable Stand/Wall Mount for 42" to 86" Interactive Displays

Product Specifications

	DIMENSIONS (W X H X D)	PRODUCT WEIGHT	LOAD CAPACITY	FINISH	AVAILABLE COLORS
SS598ML3	33.13" x 47.76"-72.42" x 6.63" (842 x 1213 - 1840 x 168mm)	100lb (45.4 kg)	280lb (127kg) Display	Textured Powder Coat	Black

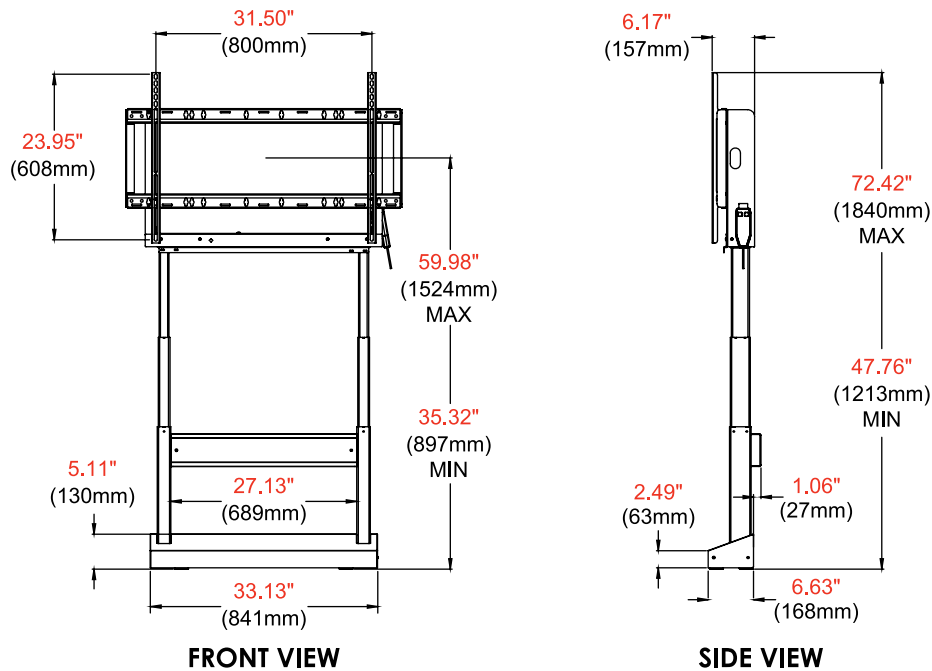
Package Specifications

	PACKAGE SIZE (W x H x D)	PACKAGE SHIP WEIGHT	PACKAGE UPC CODE	PACKAGE CONTENTS	UNITS IN PACKAGE
SS598ML3	48.00" x 10.00" x 39.00" (1219 x 254 x 991mm)	130.5lb (59.2kg)	735029329459	Assembled Base with Motorized Columns, Universal Display Adaptors, Control Box, Control Switch, Leveling Legs, Hardware & Instructions	1

Accessories

PVP1200-CPL6: 6 Outlet Surge Protector
ACC114: Stand-off Plate

All dimensions = inch (mm)



Architect Specifications

The SmartMount® Motorized Height Adjustable Stand/Wall Mount shall be a Peerless-AV model SS598ML3 and shall be located where indicated on the plans. Assembly and installation shall be done according to instructions provided by the manufacturer.

Visit peerless-av.com to see the complete line of AV solutions from Peerless-AV, including outdoor displays, kiosks, display mounts, projector mounts, carts/stands, and a full assortment of accessories.

Peerless-AV
2300 White Oak Circle
Aurora, IL 60502
USA
(800) 865-2112
(630) 375-5100

Peerless-AV EMEA
Unit 2 Curo Park
Frogmore, St. Albans
Hertfordshire, AL2 2DD
United Kingdom
+44 (0) 1923 200 100

Peerless-AV B.V.
Papendorpseweg 75
3528 BJ Utrecht
The Netherlands
+31 (0) 70 770 8037

Peerless-AV Latin America
Av. de las Industrias 413
Parque Industrial Escobedo
General Escobedo, N.L.,
México, 66062
+52 (81) 8384-8300

