

MIS-UNL



Display size
32"-75"



Max load
200lb (90.7kg)

Universal Display Adaptor

FOR 32" TO 75" DISPLAYS

The Universal Display Adaptor offers unparalleled compatibility for medium to large sized displays between 32" and 75" weighing up to 200lb (90.7kg). This adaptor bracket is designed to quickly and easily attach to many Peerless-AV® display mounts that incorporate the compatible mounting pattern. Mount your display with confidence knowing the MIS-UNL's included security hardware will help prevent theft.

The Universal Display Adaptor's mounting pattern makes it possible to mount to many Peerless-AV® flat panel mounts with ease.



Additional Features

- ✓ Universal Display Adaptor fits virtually any 32" to 75" display weighing up to 200lb (90.7kg) (actual mount capacity may be less)
- ✓ Compatible with many Peerless-AV® display mounts (mounts sold separately)
- ✓ Security hardware provided for effective theft deterrence
- ✓ Heavy gauge cold rolled steel construction

UNIVERSAL MOUNTING PATTERN
Up to 730 x 405mm (28.75"W x 15.95"H)



Shown with Peerless-AV®
Ceiling Mount, PLCM-1

RoHS

Patented. Utility Patent No. 8,517,322.

MIS-UNL: Universal Display Adaptor for 32" to 75" Displays

Product Specifications

	DIMENSIONS (W x H x D)	PRODUCT WEIGHT	LOAD CAPACITY	FINISH	AVAILABLE COLORS
MIS-UNL	30.75" x 16.89" x 1.18" (781 x 429 x 30mm)	11.4lb (5.2kg)	200lb (90.7kg)	Powder Coat	Black

Package Specifications

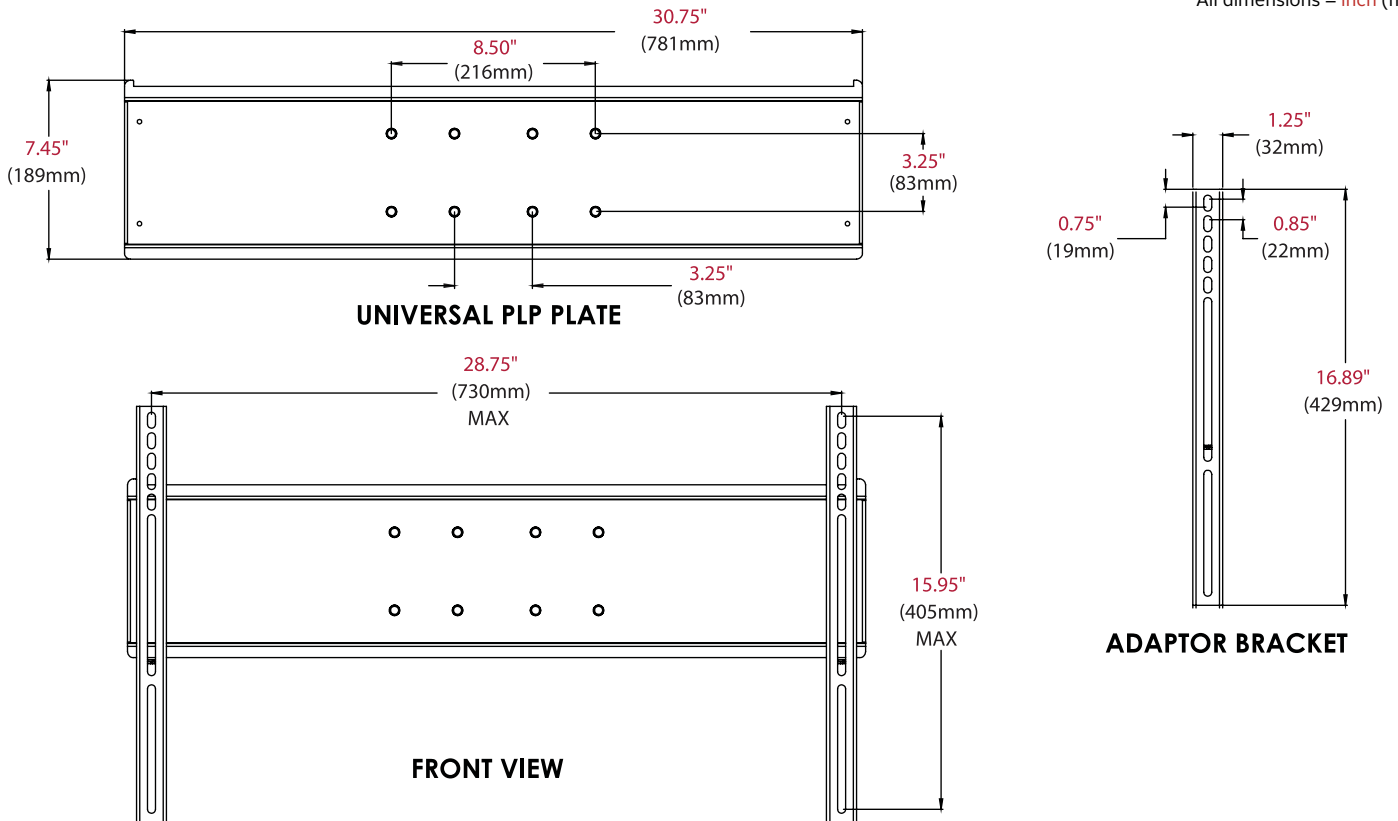
	PACKAGE SIZE (W x H x D)	PACKAGE SHIP WEIGHT	PACKAGE UPC CODE	PACKAGE CONTENTS	UNITS IN PACKAGE
MIS-UNL	8.50" x 3.75" x 31.75" (216 x 95 x 806mm)	14lb (6.4kg)	735029309819	Adaptor plate, two brackets, mounting hardware and wrenches	1

Compatible with:

Many Peerless-AV® Display Mounts

Contact Peerless-AV Customer Care for more information.

All dimensions = inch (mm)



Architect Specifications

The Universal Display Adaptor shall be a Peerless-AV model MIS-UNL and shall be located where indicated on the plans. Assembly and installation shall be done according to instructions provided by the manufacturer.

Visit peerless-av.com to see the complete line of AV solutions from Peerless-AV, including outdoor displays, wireless, kiosks, digital audio, display mounts, projector mounts, carts/stands, and a full assortment of accessories.

Peerless-AV
2300 White Oak Circle
Aurora, IL 60502 USA
(800) 865-2112
(630) 375-5100
Fax: (800) 359-6500

Peerless-AV Europe
Unit 3 Watford Interchange
Colonial Way, Watford
Herts, WD24 4WP
United Kingdom
+44 (0) 1923 200100
Fax: +44 (0) 1923 200101

Peerless-AV de México
Ave de las Industrias 413
Parque Industrial Escobedo
Escobedo, N.L.,
Mexico 66050
+52 (81) 8384-8300
Fax: +52 (81) 8384-8360

