

## RM12C



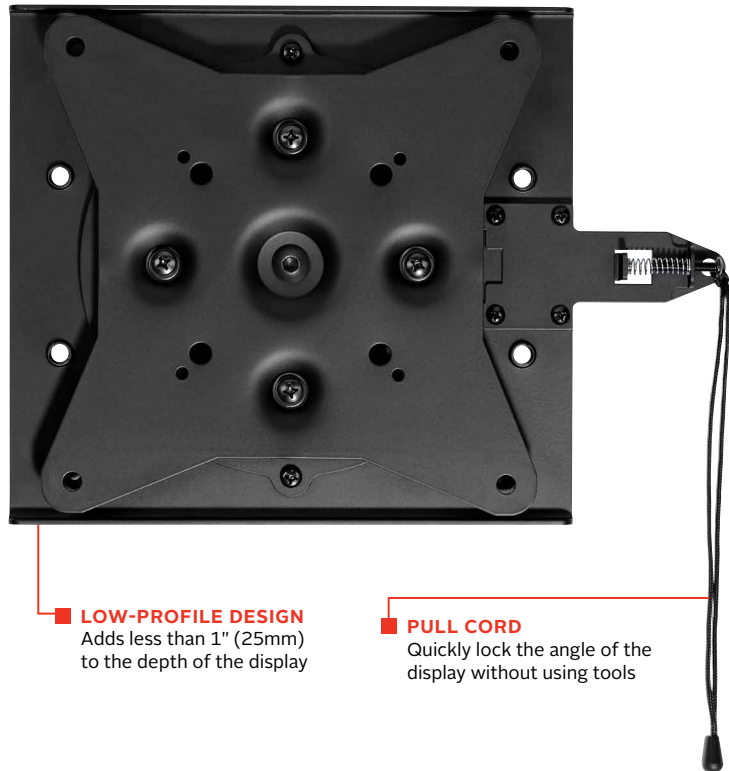
**Max Load**  
175lb (79kg)

# Rotational Mount Interface for Carts and Stands

FOR ROTATING DISPLAYS FROM LANDSCAPE TO PORTRAIT

The RM12C allows you to rotate a display from landscape to portrait orientation with a simple pull of the spring-loaded lever, eliminating the hassle of having to remove the screen from the mount. This mount interface allows the display on a cart or stand to be stored in portrait, which saves space and protects the display from accidental damage. In addition, the RM12C enables a display to be easily rotated and set at 15-degree increments within 360-degrees, and is compatible with a variety of Peerless-AV® Carts and Stands. Ideal for standard or creative digital signage displays, the RM12C allows for endless screen positioning.

- Rotate landscape to portrait orientation without removing the screen
- Roll angle can be locked in 15° increments, creating endless screen positioning possibilities
- Screen can be rolled 360° without impediment, no tools required
- Tamper-resistant, spring-loaded lever with pull cord makes adjusting the screen's position simple
- Low-profile design adds less than 1" to any application
- Compatible with the following Peerless-AV® Carts & Stands: SR560G, SR560M, SR575M, SS560F, SS575K, FPZ-600 and FPZ-670

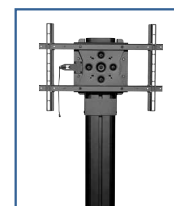


**LOW-PROFILE DESIGN**  
Adds less than 1" (25mm) to the depth of the display

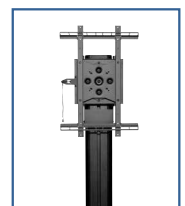
**PULL CORD**  
Quickly lock the angle of the display without using tools

RoHS COMPLIANT TAA COMPLIANT

Please visit [peerless-av.com/en-us/patents](http://peerless-av.com/en-us/patents) for patent information.



Landscape



Portrait

✉ info@neptunetv.com  
🌐 neptunetv.com

**peerless-AV®**  
Driving Technology Through Innovation

|              |   |
|--------------|---|
| <b>RM12C</b> | Rotational Mount Interface for Carts and Stands |
|--------------|---|

**Product Specifications**

|              | DIMENSIONS (W x H x D)                      | PRODUCT WEIGHT | LOAD CAPACITY | FINISH      | AVAILABLE COLORS |
|--------------|---|----------------|---------------|-------------|------------------|
| <b>RM12C</b> | 14.16" x 9.50" x .97"<br>(360 x 241 x 25mm) | 6.7lb (3.04kg) | 175lb (79kg)  | Powder Coat | Black            |

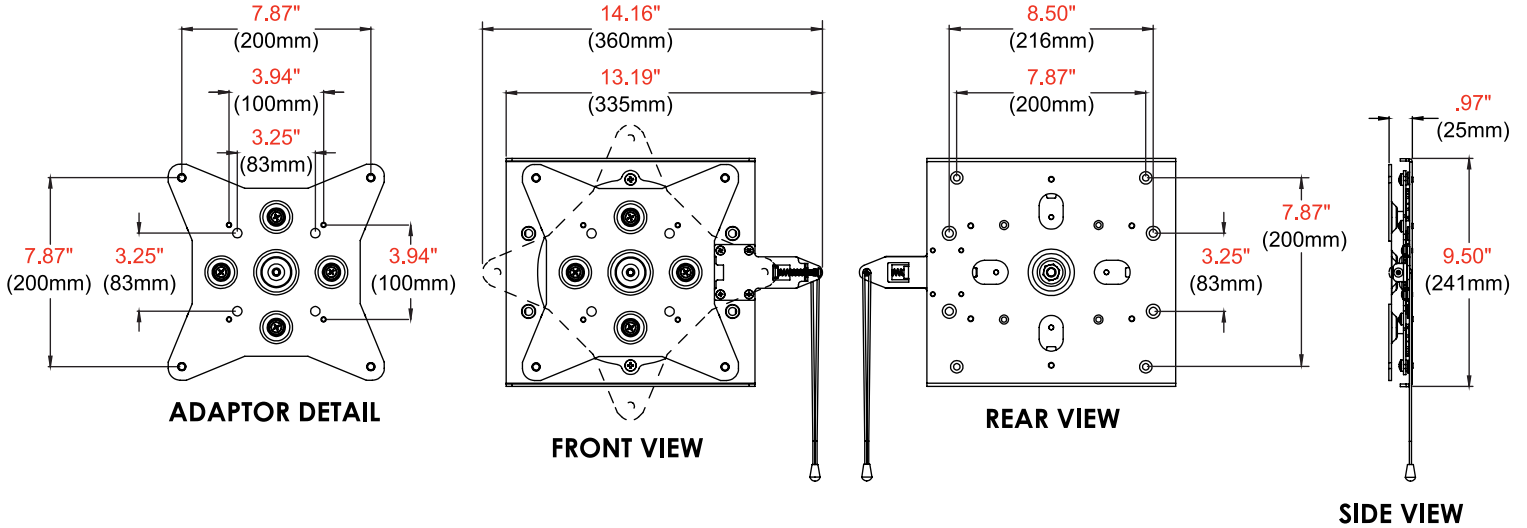
**Package Specifications**

|              | PACKAGE SIZE (W x H x D)                      | PACKAGE SHIP WEIGHT | PACKAGE UPC CODE | PACKAGE CONTENTS   | UNITS IN PACKAGE |
|--------------|---|---------------------|------------------|--------------------|------------------|
| <b>RM12C</b> | 20.00" x 10.00" x 1.75"<br>(508 x 254 x 44mm) | 7.15lb (3.24kg)     | 735029315445     | 1 Rotational Mount | 1                |

**Compatible with the following Peerless-AV® Carts and Stands:**

- SR560G
- SR560M
- SR575M
- SS560F
- SS575K
- FPZ-600
- FPZ-670

All dimensions = inch (mm)



**Architect Specifications**

The Rotational Mount Interface for Carts and Stands shall be a Peerless-AV® model RM12C and shall be located where indicated on the plans. Assembly and installation shall be done according to instructions provided by the manufacturer.

Visit [peerless-av.com](http://peerless-av.com) to see the complete line of AV solutions from Peerless-AV, including outdoor displays, kiosks, display mounts, projector mounts, carts/stands, and a full assortment of accessories.

**Peerless-AV**  
2300 White Oak Circle  
Aurora, IL 60502  
USA  
**(800) 865-2112**  
**(630) 375-5100**

**Peerless-AV EMEA**  
Unit 2 Curo Park  
Frogmore, St. Albans  
Hertfordshire, AL2 2DD  
United Kingdom  
**+44 (0) 1923 200 100**

**Peerless-AV B.V.**  
Papendorpseweg 75  
3528 BJ Utrecht  
The Netherlands  
**+31 (0) 70 770 8037**

**Peerless-AV Latin America**  
Av. de las Industrias 413  
Parque Industrial Escobedo  
General Escobedo, N.L.,  
México, 66062  
**+52 (81) 8384-8300**

