



**PADDED
 ARMS SUPPORT
 DEVICES WITHOUT
 DAMAGING THE
 PRODUCT**

BTV920

AV COMPONENT SHELF



Designed to wall mount AV equipment, the BTV920 is a component shelf that features adjustable arms allowing for easy positioning to support most sizes of equipment. Ideal for use with media players, games consoles, Blu-Ray players and centre speakers up to 10kg. When mounting multiple equipment, shelves can be stacked above each other. All mounting hardware is supplied and cover plates are included to hide wall fixings making for a neat installation.

SPECIFICATION

Max load	10kg
Arm width adjustment	Min.100mm - Max.570mm
Colour	Black

FEATURES

- Adjustable wall mounted component suitable shelf for all common AV equipment such as DVD and Blu-Ray players
- Non-slip padded arms
- Coverplates included to hide wall fixings
- Quick and simple installation



Integrating, toothed wheels allow the arms to adjust in unison, symmetrically to the centre of the mount



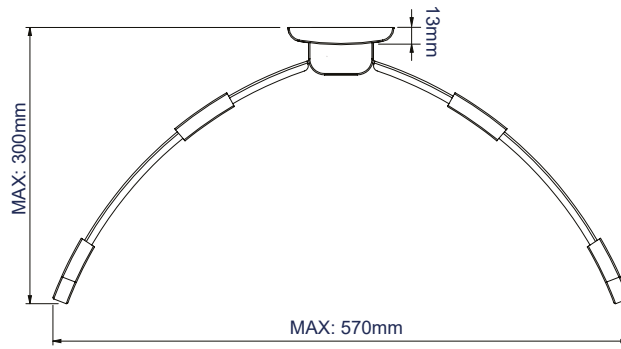
Aesthetic covers hide unsightly fixings and give a clean finish to the install



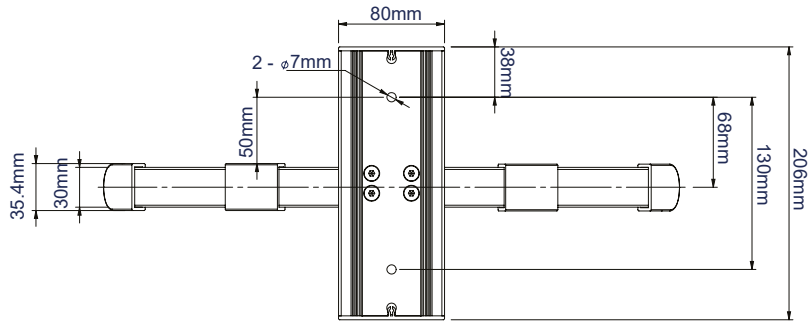
Adjustable arms can adapt to hold various sizes of AV devices



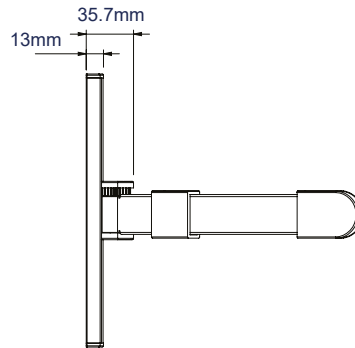
Compatible with all common AV equipment such as DVD and Blu-Ray® players



TOP VIEW



REAR VIEW



SIDE VIEW

PACKING INFORMATION

COLOUR:	ORDER REF:	EAN CODE:	MASTER CARTON QTY:	INNER CARTON QTY:	MASTER CARTON WEIGHT:	MASTER CARTON CUBE:
Black	BTV920/B	5019318440656	12	N/A	9.080kg	0.035cbm

RELATED PRODUCTS

<p>BT7032</p> 	<p>BT7033</p> 	<p>BT7863</p> 	<p>BT7166</p> 
--	--	---	--

Large AV Accessory Shelf
Dimensions 500mm x 380mm

Medium AV Accessory Shelf
Dimensions 300mm x 300mm

Small AV Accessory Shelf
Dimensions 235mm x 120mm

Glass AV Accessory Shelf
Dimensions 450mm x 365mm

© 2019 B-Tech Professional Design & Manufacturing Ltd. All rights reserved.
The information in this specification is intended to be used as a guide only. It is not intended to be used as a substitute for a physical specification or drawing. The B-Tech name and B-Tech logo are registered trademarks of B-Tech Professional Design & Manufacturing Ltd.
We reserve the right to change the technical or physical specifications without notice. The B-Tech name and B-Tech logo are registered trademarks of B-Tech Professional Design & Manufacturing Ltd.
B-Tech accepts no liability for loss or damage caused by improper or negligent installation, use, or repair of this product. Any reproduction or transmission or replication of any part of this specification is strictly prohibited unless prior written permission has been granted by B-Tech Professional Design & Manufacturing Ltd. Ltd.

SS-V2-BTV920-060819