

BTV503

SINGLE ARM FLAT SCREEN WALL MOUNT WITH TILT & SWIVEL

Designed to wall mount small to medium sized screens, this single arm wall mount features a rotating interface with tilt and swivel, allowing quick and easy repositioning of screens as required - the mount can display the screen folded flat against the wall or up to its maximum extension of 9.44". Cable management is included to help make a neat and tidy mounting solution which is ideal for home installations as well as commercial applications.

SPECIFICATIONS

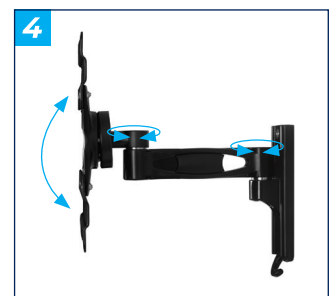
Recommended screen size	up to 47"
Max load	55lbs
VESA® compatibility	up to 200 x 200
Tilt	+/-15°
Swivel	180°
Screen rotation	360°
Distance from wall	min: 2.95" - max: 9.44"

FEATURES

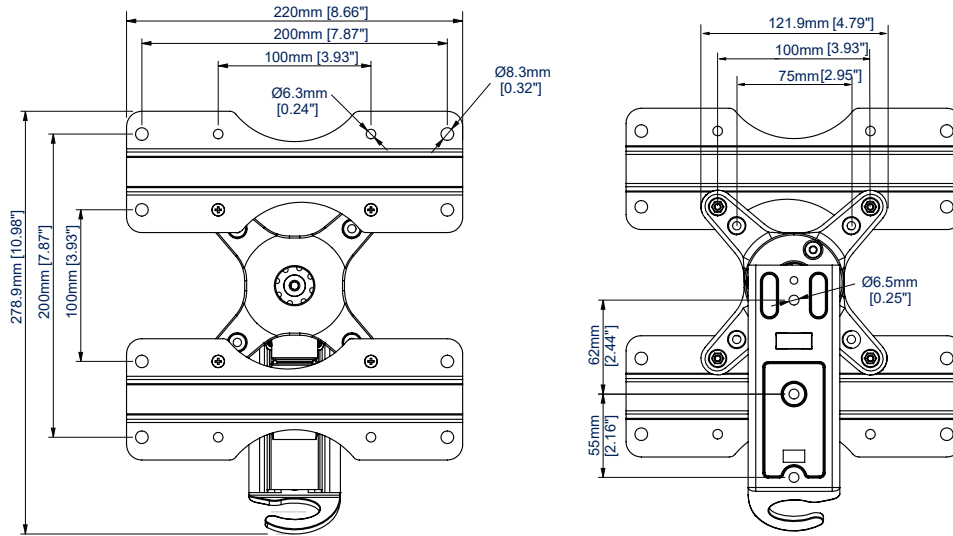
- 1 Folds flat to the wall
 - 2 Integrated spirit level for easy wall plate leveling during installation
 - 3 Screen rotation allows screen to mounted in landscape or portrait
 - 4 Features two swivel points: 180° at wall and 240° at interface
- Easy tilt and swivel adjustment
 - Integrated cable management
 - Simple 'hook-on' installation with all mounting hardware included



RECOMMENDED MAX SCREEN	MAX LOAD	MAX VESA	TILT	SWIVEL	ROTATION	QR CODE
47" 119cm	55lbs	200	15° 15°	180°	360°	

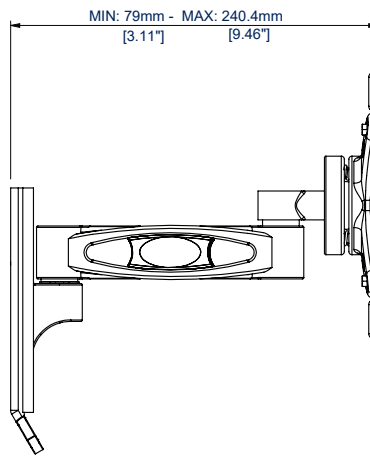


BTV503



FRONT VIEW

REAR VIEW



SIDE VIEW
ARM EXTENDED

ORDERING INFORMATION

COLOR	ORDER REF	UPC
Black	BTV503/B	811867034066

RELATED PRODUCTS

PRODUCT CODE	NAME	DESCRIPTION
BTV502	Flat Screen Wall Mount	With Tilt & Swivel designed for screens up to 47"
BTV504	Double Arm Flat Screen Wall Mount	Features 3 swivel points & an extended reach of up to 15.15"
BTV920	AV Component Shelf	Designed for holding all common AV equipment
BTV914	Universal Soundbar Mount	Fits directly to BTV503 to mount a Soundbar under your screen

© 2018 B-Tech AV Mounts Co., Ltd. All rights reserved.
 The information in this specification sheet reflects the current technical specifications as of the time of printing.
 We reserve the right to change the technical or physical specifications without prior notice. The B-Tech name and the B-Tech logo are registered trademarks of B-Tech AV Mounts Co., Ltd.
 B-Tech is not responsible for loss or damage caused by improper installation or mounting on unsuitable structures. Any reproduction or reuse, adaptation or modification of any part of this
 specification sheet is strictly prohibited unless prior written permission is obtained by B-Tech AV Mounts Co., Ltd. 180618

SS-V3-BTV503-030524-NA