

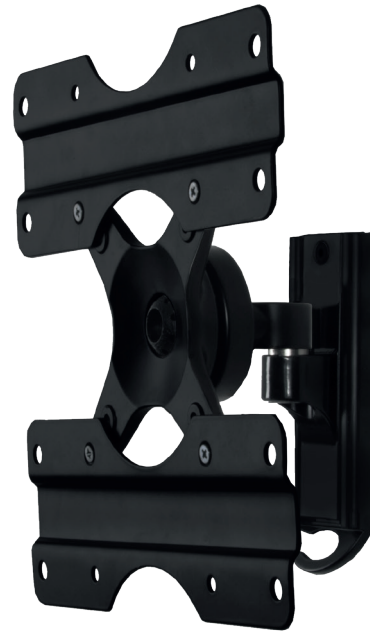
BTV502

FLAT SCREEN WALL MOUNT WITH TILT & SWIVEL FOR SCREENS UP TO 47"

Designed to mount small to medium sized screens, this wall mount features swivel, tilt and full-screen rotation, allowing quick and easy repositioning of the screen as required. Integrated cable management and spirit level help make this a tidy, hassle-free installation, ideal for home installations and commercial applications.

SPECIFICATIONS

Recommended screen size	up to 47"
Max load	25kg
VESA® compatibility	up to 200 x 200
Tilt	+/-15°
Swivel	180°
Screen rotation	360°
Distance from wall	95mm



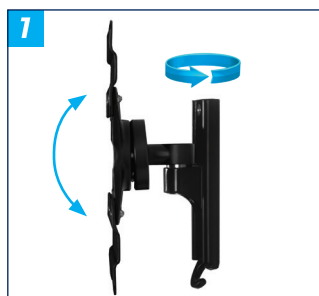
FEATURES

- 1** Easy tilt and swivel adjustment
- 2** Integrated spirit level for easy wall plate levelling during installation
- 3** 360° screen rotation
- 4** All mounting hardware included
- Integrated cable management
- Simple 'hook-on' installation

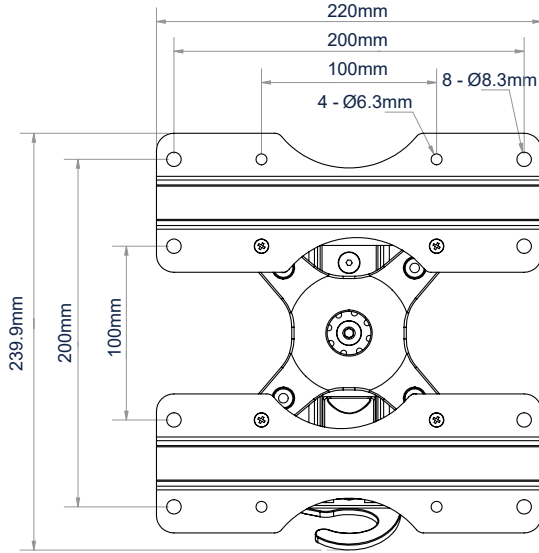


Ventry
range

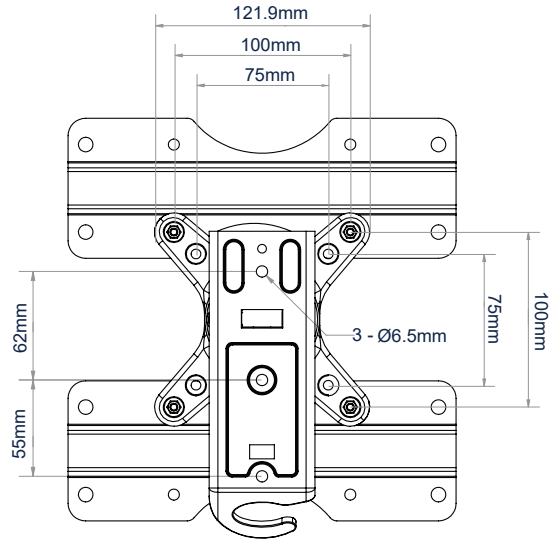
RECOMMENDED MAX SCREEN	MAX LOAD	MAX VESA	TILT	SWIVEL	ROTATION	QR CODE
47" 119cm	25kg	200	15° 15°	180°	360°	



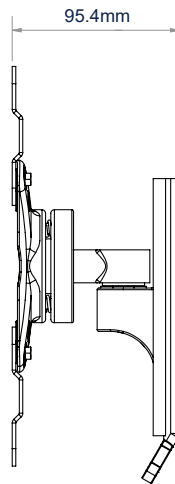
BTV502



FRONT VIEW



REAR VIEW



SIDE VIEW

ORDERING INFORMATION

COLOUR	ORDER REF	EAN
Black	BTV502/B	5019318440601

RELATED PRODUCTS

PRODUCT CODE	NAME	DESCRIPTION
BTV503	Single Arm Flat Screen Wall Mount	Features an additional swivel point and an extended reach of up to 240mm
BTV504	Double Arm Flat Screen Wall Mount	Features 3 swivel points & an extended reach of up to 385mm
BTV513	Double Arm Flat Screen Wall Mount	Features 3 swivel points & an extended reach of up to 450mm for screens up 55"
BTV520	Flat Screen Wall Mount	Low profile mounting solution for screens up to 65"

© 2016 B-Tech AV Mounts Co. Ltd. All rights reserved. The information in this specification sheet reflects the current technical specifications at the time of printing. We reserve the right to change the technical or physical specifications without prior notice. This is not a contract. B-Tech AV Mounts Co. Ltd. is not responsible for any loss or damage caused by improper installation or mounting on unsuitable structures. Any reproduction or use without permission is strictly prohibited. For more information, please contact B-Tech AV Mounts Co. Ltd. at 01246 812345.

SS-V3-BTV502-060124