

PULL OUT FLAT SCREEN WALL MOUNT WITH TILT & SWIVEL

B-Tech Elements products offer the core traits that B-Tech is known for: exceptional build quality, strength, and reliability, without some of the premium features typically reserved for our flagship mounts. Designed for large screens, the **BT8443** is a pull-out flat screen wall mount with extendable arms that allow the display to swivel and tilt at various angles, which is ideal for recess mounting, optimizing the viewing angle and allowing ease of access for servicing. Capable of supporting displays of up to 77lbs, the mount includes a universal interface compatible with VESA patterns up to 650 x 400 and offers built-in lateral adjustment.



SPECIFICATIONS

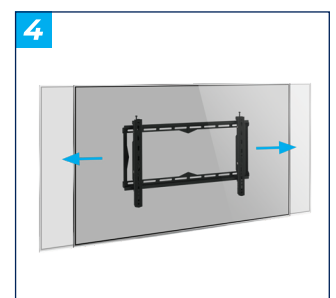
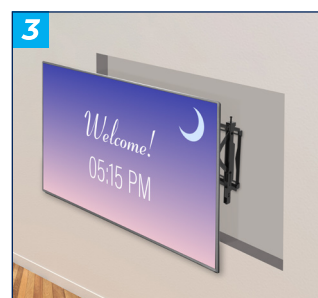
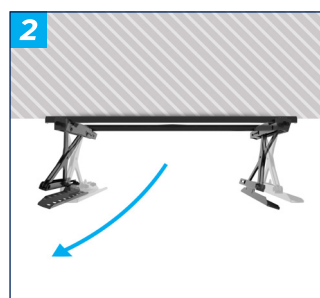
Recommended screen size	up to 75"
Max load	77lbs
Dimensions	W: 27" H: 17.48" D: 2.71"
VESA® & non-VESA fixing patterns	up to 650 x 400
Tilt	+12/-2°
Swivel	28°
Distance from wall	Min: 2.71" - Max: 8.66"

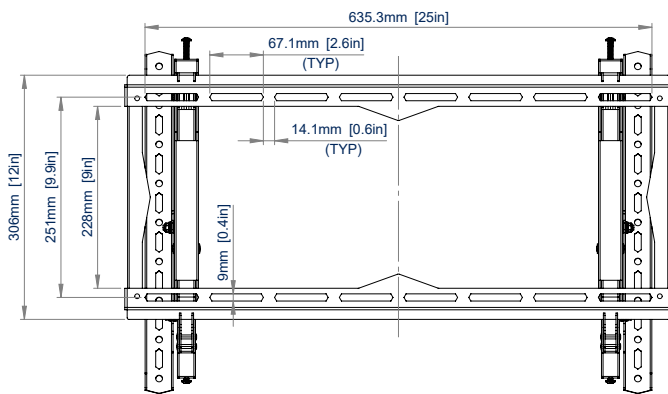
FEATURES

- 1** Extendable mount pulls out from the wall for ease of access for servicing
 - 2** Tool-less tilt and swivel
 - 3** Suitable for recess mounting
 - 4** Lateral adjustment of the screen once mounted
- Leveling screws allow adjustment of screen height
 - Open wall plate design keeps electrical outlets unobstructed
 - Mounts just 2.71" from the wall when the arms are retracted
 - Safety screws help prevent unauthorized removal of the screen
 - Simple 'hook-on' installation with all mounting hardware included

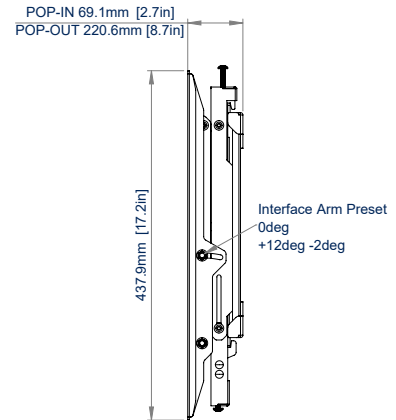


RECOMMENDED MAX SCREEN	MAX LOAD	MAX VESA	POST INSTALL ALIGNMENT	TILT	SWIVEL	QR CODE
75" 190cm	77lbs	600 x 400		-2° 12°	28°	

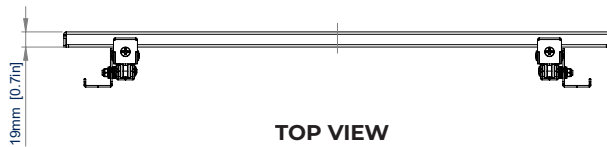




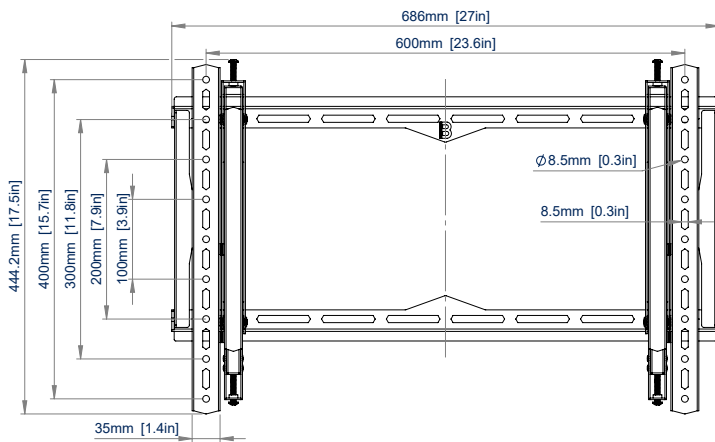
REAR VIEW



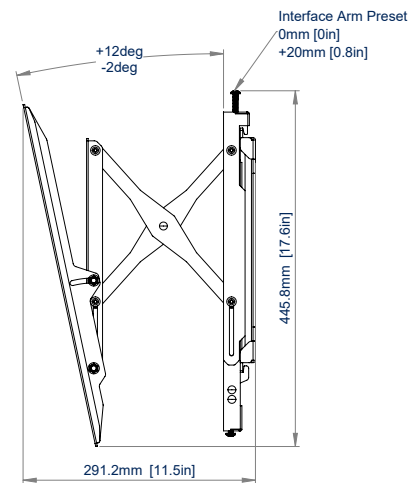
**SIDE VIEW
RETRACTED**



TOP VIEW



FRONT VIEW



**SIDE VIEW
EXTENDED**

ORDERING INFORMATION

COLOR	ORDER REF	UPC
Black	BT8443/B	811867031102

RELATED PRODUCTS

PRODUCT CODE	NAME	DESCRIPTION
BT9910	XL Heavy Duty Wall Mount With Tilt	Designed to mount screens up to 100" and 287lbs
BT8312	Slimline Soft-Open Full Service Wall Mount	Designed for low profile installs on walls or mounting in recesses
BT8442	Universal Flat Screen Wall Mount	Designed to mount screens up to 80" and 176lbs
BT8432	Flat Screen Wall Mount with Tilt	Designed to mount screens up to 80" and 154lbs

© 2014 B-Tech, AV Mounts Corporation Ltd. All rights reserved.
The information in this specification sheet reflects the current technical specifications as of the time of printing.
We reserve the right to change the technical or physical specifications without prior notice. The B-Tech name and the B-Tech logo are registered trademarks of B-Tech, AV Mounts Corporation Ltd.
B-Tech is not responsible for loss or damage caused by improper installation or mounting on unstable structures. Any reproduction or reuse of information or any part of this specification sheet is strictly prohibited unless prior written permission is obtained by B-Tech, AV Mounts Corporation Ltd. B-Tech.

SS-V1-BT8443-240924