

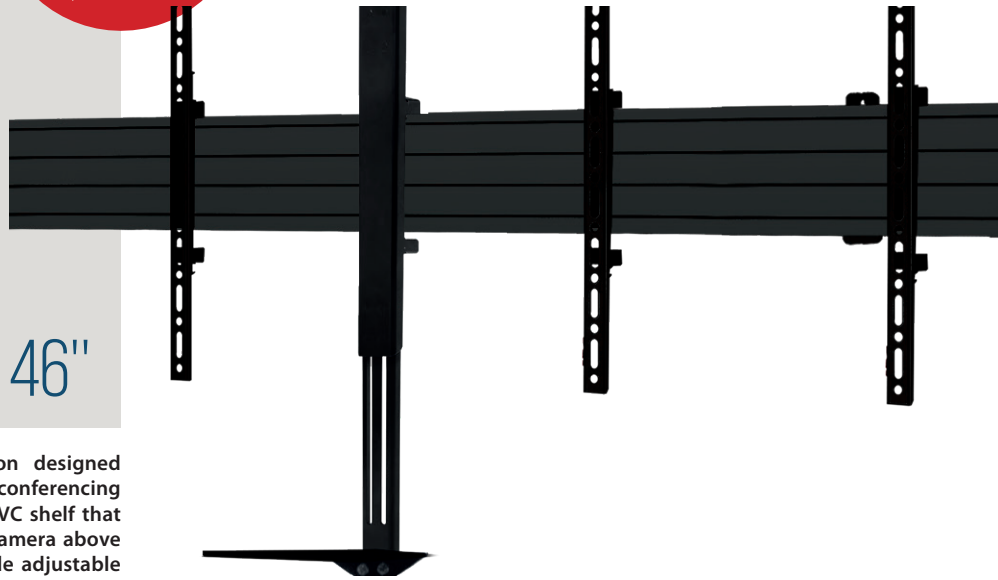


**INCLUDES
 ADJUSTABLE
 VC SHELF**

BT8415

TWIN SCREEN VC WALL MOUNT

FOR SCREENS UP TO 46"



BT8415 is a premium wall mounting solution designed to mount two screens side by side for video conferencing applications. The mount features an adjustable VC shelf that gives the user the flexibility of mounting a VC camera above or below the screens. Additional features include adjustable levelling screws for easy height adjustment of the screen once mounted, cable management clips and safety screws that help to prevent un-authorised removal of the screen.

SPECIFICATION

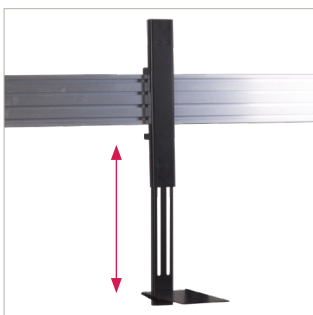
Recommended screen size	39" - 46"
Max load	70kg per screen
VESA® and non-VESA fixings	up to 400mm
Dimensions	W:1505mm H: Min:445mm D:290mm
Colour (Mounting Rail)	Silver or Black

FEATURES

- Universal design suitable for mounting two screens side by side
- High-end aesthetic quality
- Includes VC shelf which can be fixed above or below the screen
- VC shelf fits most cameras with 1/4" thread with 100 x 100mm fixing points
- Interface arms include levelling screws to adjust the screen height
- Cable management clips are included to hide cables
- Safety screws help prevent unauthorised screen removal
- Simple 'hook-on' screen installation with all mounting hardware included



46" 116cm
 VESA 400 x 400
 70KG
 PER SCREEN



Includes VC camera shelf that can be fitted above or below the screens.



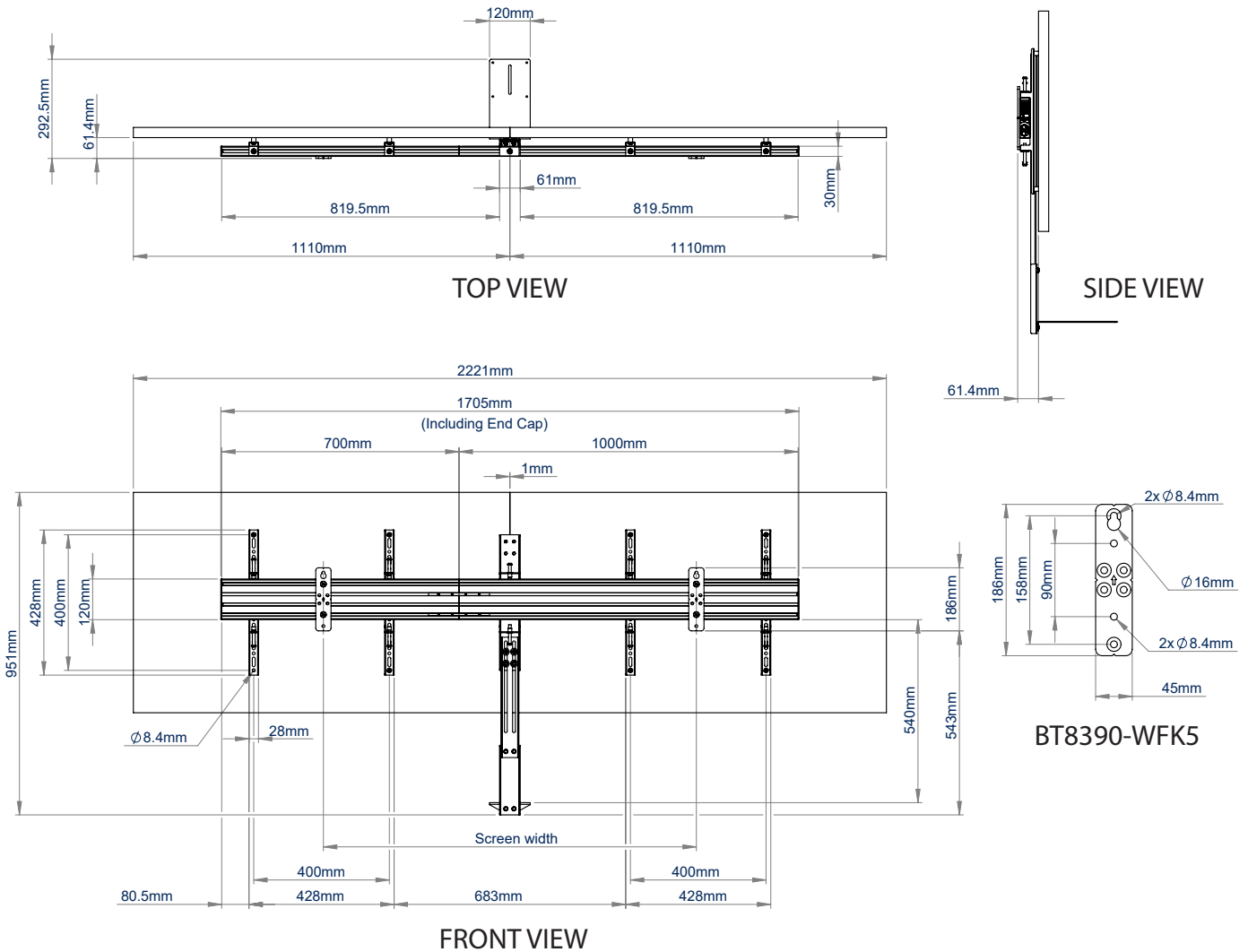
Interface arms include levelling screws to adjust the height of the screen.



Safety screws help prevent unauthorised removal of screens.



Cable management clips are included to hide cables.



ORDER REFERENCE

COLOUR:	ORDER REF:	EAN CODE:
Silver	BT8415/S	5019318305573
Black	BT8415/B	5019318305580

RELATED PRODUCTS

<p>BT8416</p> 	<p>BT8515</p> 	<p>BT8390-SA</p> 	<p>BT7863</p> 
--	--	---	--

Twin Screen VC Wall Mount
For screens up to 65"

Twin Screen VC Trolley/Stand
For screens up to 55"

Adjustable Accessory Mounting Arm
Ideal for VC cameras when used in conjunction with **BT7863**

Small Accessory Shelf
Can be mounted directly to walls or to B-Tech accessories such as **BT8390-SA**

© 2015 B-Tech Av Mounts. All rights reserved. The information in this specification is subject to change without notice. B-Tech Av Mounts and B-Tech logo are registered trademarks of B-Tech International Design & Manufacturing Ltd. B-Tech Av Mounts is a registered trademark of B-Tech International Design & Manufacturing Ltd. All other trademarks are the property of their respective owners. B-Tech Av Mounts is not responsible for any damage caused by improper or unauthorized use of its products. Any reproduction or misrepresentation of any part of this specification is strictly prohibited unless prior written permission has been granted by B-Tech International Design & Manufacturing Ltd. (B-Tech).

SS-V2-BT8415-130622-EN