



**FITS ALL
 SCREENS
 46" - 60"**

BT8372-2X2

UNIVERSAL BOLT DOWN VIDEOWALL STAND FOR 2X2 VIDEOWALLS

Designed to mount videowalls in a 2x2 configuration, the BT8372-2X2 is a fixed position mounting solution with a universal design suitable for all videowall screens from 46" to 60". Ideal for retail displays and other applications with minimal floor space, the BT8372 is part of B-Tech's dynamic System X range; a contemporary mounting solution which is lightweight yet incredibly strong, has a high-end aesthetic quality and comes with important time saving features, such as tool-less micro-adjustment and a universal screen position spacer to speed up the installation process. For larger installations the BT8372 is also available as a 3x3 package or alternatively for screens 32" - 75" visit www.btechavmounts.com/systemx-configurator to specify a custom configuration that suits your needs.

SPECIFICATION

Recommended screen size	46" - 60"
Max load	50kg per screen
VESA® & non-VESA fixings	up to 600 x 400mm
Dimensions	W: 2005mm H: 1806 up to 2007mm
Base Thickness	6mm
Colour (base & interface arms)	Black
Colour (columns & rails)	Black or Silver

FEATURES

- Configurable mounting solution available to order to your requirements, from stock - see configurator info
- Specify other requirements using the System X configuration tool
- Suitable for landscape or portrait mounting
- Small footprint for an unobtrusive installation into confined areas
- Tool-less micro-adjustments for seamless screen alignment
- Integrated cable management
- Collar compatible accessories such as shelves can be fitted directly to the extrusion
- Safety screws help prevent unauthorised removal of screens
- All mounting hardware included
- TUV certified



SYSTEM X™
 TÜV Rheinland CERTIFIED

60" 152cm
 VESA 600 x 400
 50KG
 PER SCREEN

ALTERNATIVE CONFIGURATIONS

The BT8372-2X2 is a mounting kit configured for a common videowall setup. Off-the-shelf kits for 2X2 and 3X3 configurations for screens from 46" to 60" are available throughout the range and for a custom configuration, use our online configuration tool to enter your specifications. With options such as screen size (from 32"-75"), screen orientation and leg height to choose from, there are over 2000 different configurations of the BT8372 available!

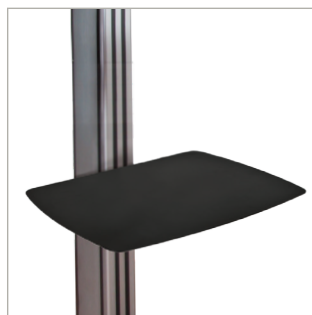
Try now at www.btechavmounts.com/systemx-configurator



Tool-less micro-adjustment for seamless display alignment



Small footprint base is ideal for shop windows and cable management covers hide untidy cables for a neat install



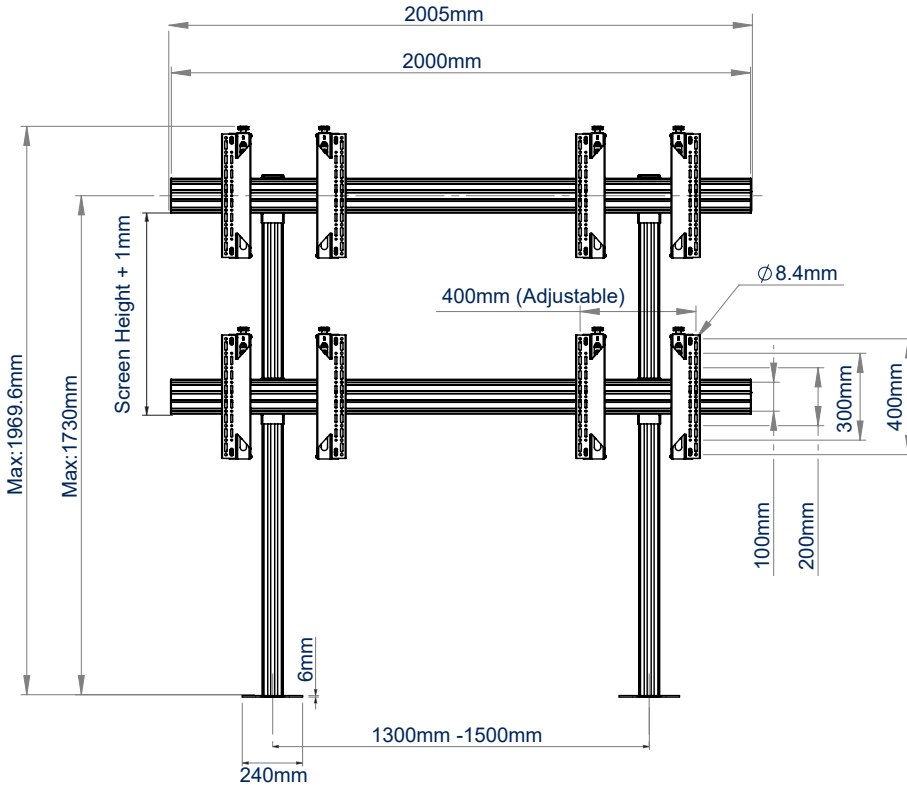
Fits System 2 compatible accessories such as shelves without using collars



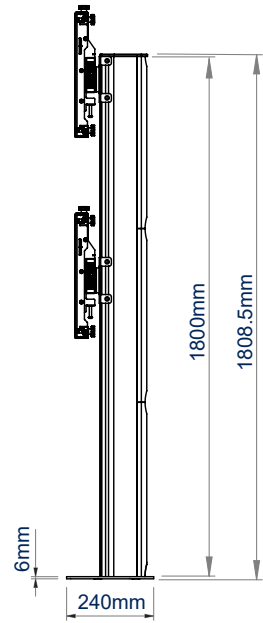
Use the online configurator to customise screen set-up



TOP VIEW



FRONT VIEW



SIDE VIEW

PACKING INFORMATION

PLEASE NOTE, THIS IS A 3 BOX ITEM THAT WILL BE PACKED AND DELIVERED ON A CUSTOM PALLET. ESTIMATED DIMS: 240 x 100 x 60cm WEIGHT: 95kg

COLOUR:	ORDER REF:	EAN CODE:	MASTER CARTON WEIGHT:	MASTER CARTON CUBE:
Black w/Black Columns	BT8372-2X2/BB	5019318501487	26kg / 25kg / 16kg	0.06cbm / 0.13cbm / 0.09cbm
Black w/Silver Columns	BT8372-2X2/BS	5019318501494	26kg / 25kg / 16kg	0.06cbm / 0.13cbm / 0.09cbm

ACCESSORIES AND RELATED PRODUCTS



BT8372-3X3
Universal Bolt Down Videowall Stand for 3x3 Videowalls



BT8371-2X2
Universal Mobile Videowall Stand for 2x2 Videowalls



BT8370-2X2
Universal Videowall Stand for 2x2 Videowalls



BT7032 / BT7033 / BT7863
AV Accessory Shelves can be attached directly to a vertical column

© 2015 B-Tech Av Mounts Ltd. All rights reserved. This information is provided for informational purposes only. It is not intended to be used as a substitute for professional advice. B-Tech Av Mounts Ltd. is not responsible for any damage or loss of data caused by improper use of its products. Any reproduction or transmission of any part of this document is strictly prohibited unless prior written permission has been granted by B-Tech Av Mounts Ltd. SS-8T8372-2X2-V4.1-220923