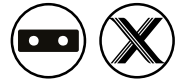
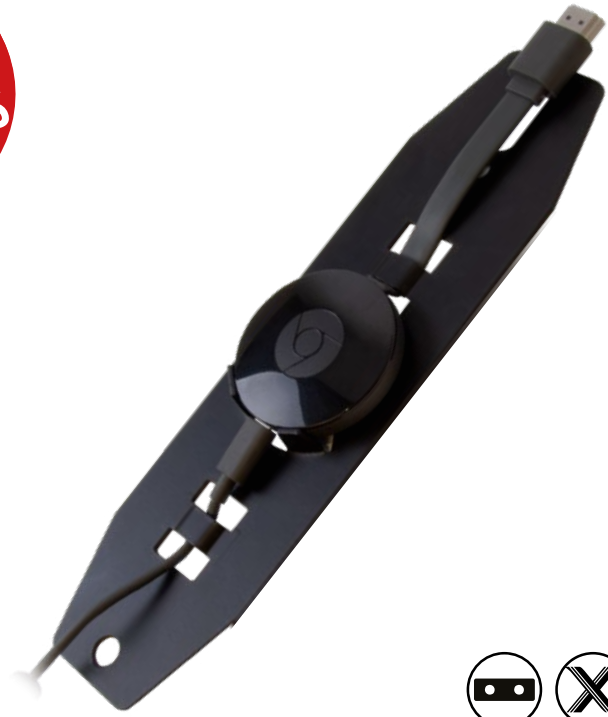




BT7881

CHROMECAST® MOUNT



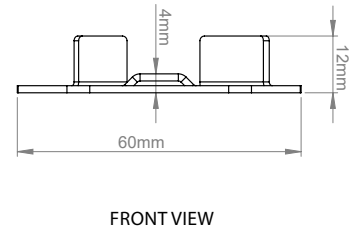
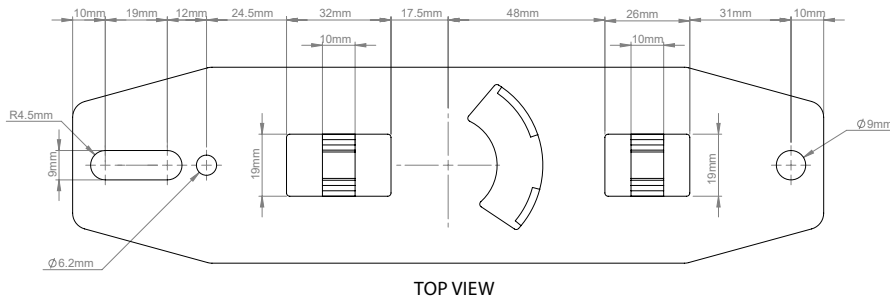
Designed to specifically secure the popular Chromecast® media streaming device to any TV or appliance. Its integrated cover shields keep cables tidy and prevent device tampering.

SPECIFICATION

Dimensions **W: 60mm H: 230mm D: 12mm**
 Colour **Black**

FEATURES

- Designed to mount the Chromecast securely to any TV or other appliance
- Integrated cover shields on the plate prevent device tampering
- Simple installation



PACKING INFORMATION

COLOUR:	ORDER REF:	EAN CODE:	MASTER CARTON QTY:	INNER CARTON QTY:	MASTER CARTON WEIGHT:	MASTER CARTON CUBE:
Black	BT7881/B	5019318301698	1	100	15.5kg	0.03cbm

ACCESSORIES AND RELATED PRODUCTS



Wall mount for Apple TV® designed for 2nd and 3rd Generation Apple TV's



Ø50mm Pole for mounting to the wall, ceiling or floor



2-Piece Accessory Collar for use with Ø50mm poles



Horizontal Mounting Rail for creating System X™ installations

© 2019 B-Tech Professional Design & Manufacturing Limited. All rights reserved.
 The information in this specification sheet reflects the current technical specifications at the time of print.
 We reserve the right to change the technical or physical specifications without prior notice. The B-Tech logo, name and/or registered trademarks of B-Tech Professional Design & Manufacturing Limited
 B-Tech is not responsible for loss or damage caused by improper installation or misuse or modification of any part of this
 specification sheet. Limited permission is granted to reproduce this information, in whole or in part, for personal or internal use only. All other rights reserved.

SS-V1-BT7881-070819