



ROTATIONAL  
 ORIENTATION  
 +90°

# BT7549

## ROTATIONAL FLIP MOUNT

The BT7549 Rotational Flip Mount allows a mounted screen to be easily rotated from landscape to portrait orientation. Simple tool-less rotation adjustment fixes the screen at any angle from 0° - 90° with the use of an integrated angle guide. BT7549 can be mounted directly to the wall or fitted to B-Tech poles, rails and vertical columns. Additionally, BT7549 can also be fitted to other B-Tech mounts such as BT8309, ideal for installs that require a pop-out feature for easy servicing.

### SPECIFICATION

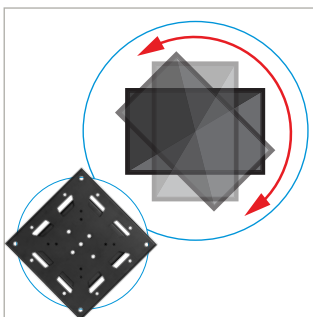
For screen sizes	19" - 47"
Max load	25kg
Angle adjustment range	90°
Tilt adjustment range	-4.5°
VESA® & non-VESA fixings	75 x 75 up to 200 x 200

### FEATURES

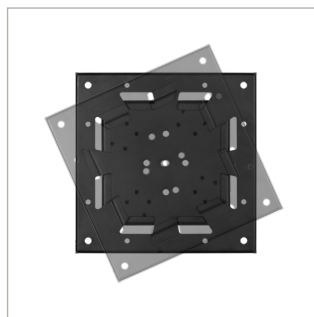
- Allows mounted screens to rotate from landscape to portrait orientation (or vice versa)
- Tool-less, easy to use rotation adjustment can be set before or after installation
- Rotation can be stopped and fixed at any angle between 0° and 90°
- Includes angle guides to help set the desired rotation of your screen
- Can be used to mount screens directly to walls
- Can also be mounted to standard B-Tech mounts, pole mounted using System 2 collars or directly to System X solutions
- Features a negative tilt of 4.5 degrees for easier use of touchscreens
- Simple installation with all mounting hardware included



47" 120cm VESA 200 25KG 90°



Rotates a mounted screen from landscape to portrait orientation (& vice versa)



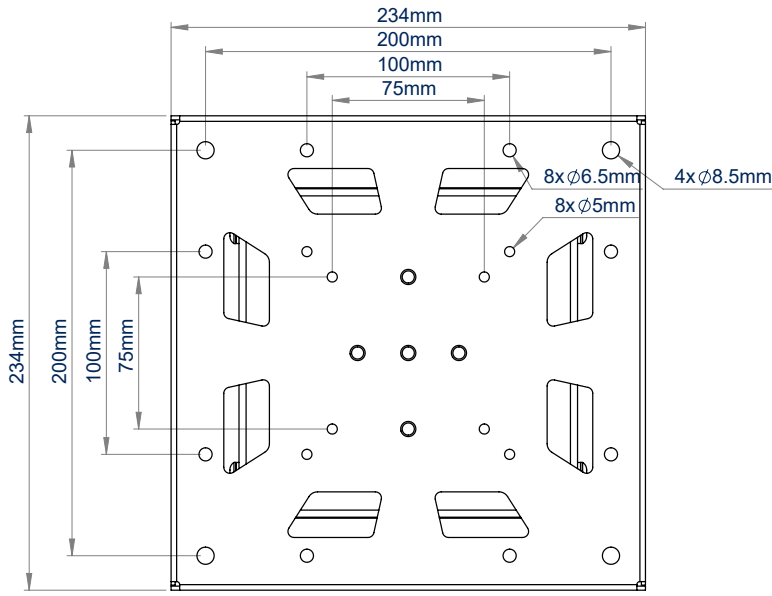
Cotation can be stopped and fixed at any angle between 0° and 90°



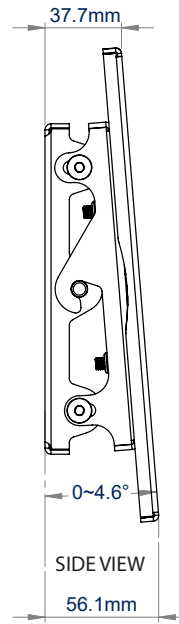
Angle guides help set the desired rotation of your screen



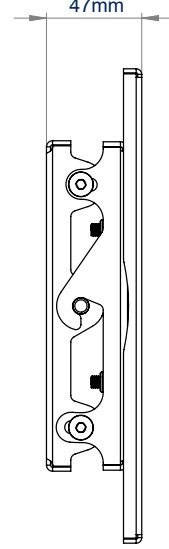
Optional negative tilt of 4.5 degrees for easier use of touchscreens



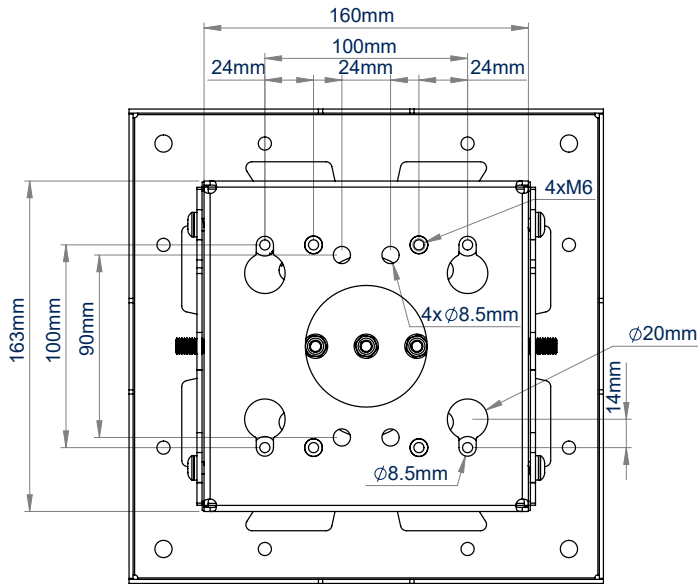
FRONT VIEW



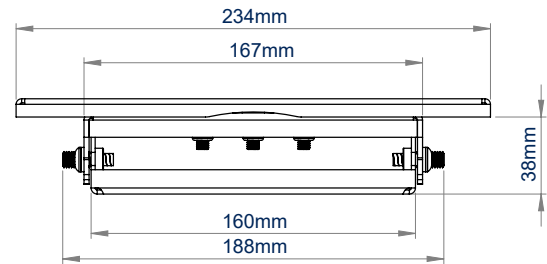
SIDE VIEW



SIDE VIEW



REAR VIEW



TOP VIEW

PACKING INFORMATION

COLOUR:	ORDER REF:	EAN CODE:	PCS (QTY):	MASTER CARTONS:	MASTER CARTON WEIGHT:	MASTER CARTON CUBE:
Black	BT7549/B	5019318 305160	1	1	3.2kg	0.011cbm

RELATED PRODUCTS

<p><b>BT7550</b></p>	<p><b>BT8566</b></p>	<p><b>BT8567</b></p>	<p><b>BT8309</b></p>
----------------------	----------------------	----------------------	----------------------

Rotational Flip Mount for screens up to 65"

Flat Screen Trolley with Flip Rotation for screens up to 70"

Flat Screen Trolley with Flip Rotation & Height Adjustment for screens up to 70"

Pop-Out Flat Screen Wall Mount with Micro-Adjustment for screens up to 42"

© 2018 B-Tech Av Mounts. All rights reserved. This information is for informational purposes only and does not constitute an offer of any product. B-Tech Av Mounts and its logo are registered trademarks of B-Tech Av Mounts. All other trademarks are the property of their respective owners. B-Tech Av Mounts is not responsible for any damage caused by improper use or installation of its products. Any reproduction or modification of any part of this specification is strictly prohibited unless prior written permission has been granted by B-Tech Av Mounts Manufacturing Ltd. (B-Tech Av Mounts).

SS-V1-BT7549-190721