



CREATE FULL  
 MOTION WALL  
 MOUNTS

# BT7399

## WALL MOUNT ACCESSORY

Designed to attach any B-Tech Premium or Full Motion desk mount to the wall providing a stable wall mount with all the movement and functionality of the attached desk mount.

### SPECIFICATION

Max load	9kg
Colour	Black

### FEATURES

- Ideal for use with the BT7382 or the BT7383
- Retains all movement functionality of the attached desk mount
- Compatible with System X® rail mounting using BT8390-ADP



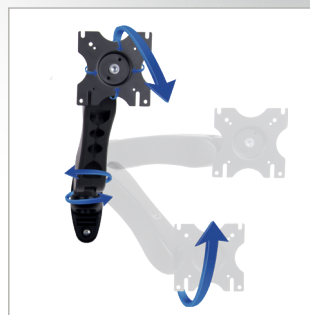
\*Arm sold separately



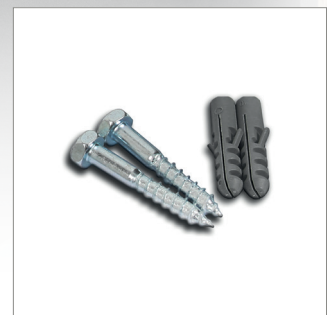
Designed to attach any B-Tech Premium or Full Motion desk mount



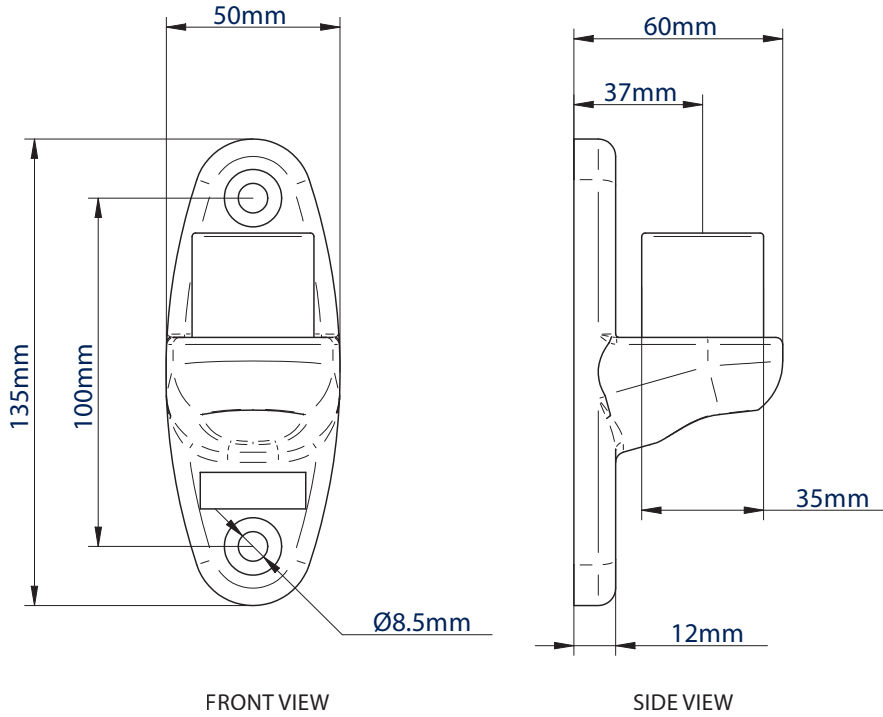
Mounts to BT8390 rails with BT8390-ADP adapter plate



Retains all movement functionality of the attached desk mount



Simple installation with all fixings included



**PACKING INFORMATION**

**ORIGINAL DESIGNS BY B-TECH AV MOUNTS - REGISTERED DESIGNS & PATENTS APPLY**

COLOUR:	ORDER REF:	EAN CODE:	MASTER CARTON QTY:	INNER CARTON QTY:	MASTER CARTON WEIGHT:	MASTER CARTON CUBE:
Black	BT7399/B	5019318752193	N/A	N/A	N/A	N/A

**RELATED PRODUCTS TO THE BT7399**

<p><b>BT7383</b></p>	<p><b>BT7372</b></p>	<p><b>BT8390-ADP</b></p>	<p><b>BT7374</b></p>
<p><b>Double Arm Full Motion Desk Mount</b> designed for screens up to 28"</p>	<p><b>Single Arm Premium Desk Mount</b> designed for screens up to 28"</p>	<p><b>Adaptor Plate</b> for use with B-Tech BT8390 horizontal rails</p>	<p><b>Twin Flat Screen Desk Mount with Dual Articulated Arms</b> for screens up to 28"</p>

© 2019 B-Tech Av Mounts Professional Design & Manufacturing Ltd. All rights reserved.  
 The information in this specification is for reference only. It is not intended to be used as a substitute for the actual product specifications. B-Tech Av Mounts Professional Design & Manufacturing Ltd. is not responsible for any damage or loss of data caused by improper use of the product. Any reproduction or transmission of any part of this specification is strictly prohibited unless prior written permission has been granted by B-Tech Av Mounts Professional Design & Manufacturing Ltd. Ltd.

SS-V1.2-BT7399-100321