

BT5935

SYSTEM V™ Ø38MM POLES

BT5935 are heavy-duty steel poles capable of supporting substantial loads from B-Tech's System V Range, a collection of components designed to install CCTV and other ceiling-mounted equipment. Available in one, two & three-metre lengths, the poles are compatible with B-Tech components, allowing professionals to customise their security mounting solutions to their specific requirements, such as pole-mounting CCTV cameras and screens from the ceiling with extended drops.

SPECIFICATIONS

Diameter	Ø38mm
BT8935-100 length	1000mm
BT8935-200 length	2000mm
BT8935-300 length	3000mm

FEATURES

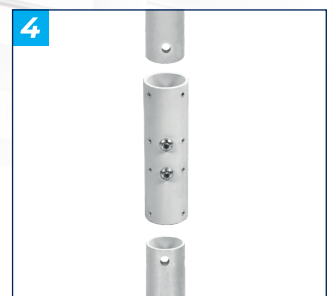
- 1 Designed to create ceiling-mounted AV solutions such as CCTV installs
 - 2 Compatible with System V accessories such as camera mounts
 - 3 Safety bolt holes to safely secure accessories
 - 4 Can be joined together using BT5924 Pole Joiner for extended drops
- Internal Cable management through the centre of the pole
 - Heavy-duty steel capable of supporting substantial loads
 - Safety bolt hole ensures a secure installation to System V components

BT5935-100
1 metre length

BT5935-200
2 metre length

BT5935-300
3 metre length

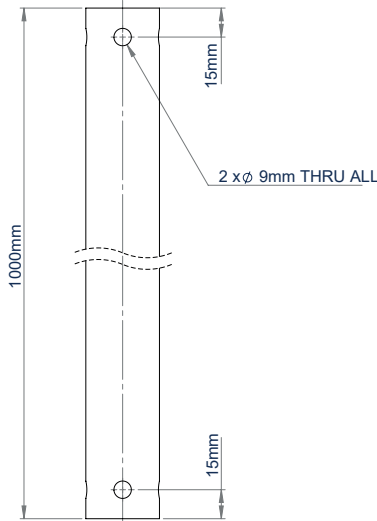
SYSTEM V™



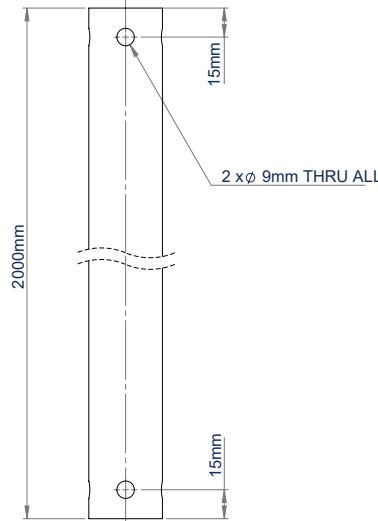
BT5935



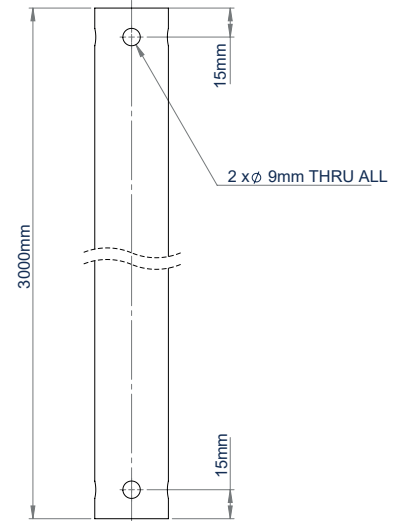
TOP VIEW



SIDE VIEW
1 METER



SIDE VIEW
2 METER



SIDE VIEW
3 METER

ORDERING INFORMATION

COLOUR	ORDER REF	EAN
White	BT5935-100/W	5019318304071
White	BT5935-200/W	5019318304088
White	BT5935-300/W	5019318306815

RELATED PRODUCTS

PRODUCT CODE	NAME	DESCRIPTION
BT5924	External Pole Joiner	Join BT5935 Ø38mm Poles together for longer drops
BT5910	Dome Security Mount	Carousel mount for small to medium dome CCTV cameras
BT5920	Fixed Ceiling Mount	Mount BT5935 System V poles from the ceiling
BT5952	Ø38mm Accessory Colar	Attach a variety of accessories to BT5935 System V Poles

© 2018 B-Tech AV Mounts Co., Ltd. All rights reserved.
 The information this specification sheet reflects the current technical specifications at the time of printing.
 We reserve the right to change the technical or physical specifications without prior notice. This is both new and the B-Tech logo are registered trademarks of B-Tech AV Mounts Co., Ltd.
 B-Tech is not responsible for any loss or damage caused by improper installation or mounting on unsuitable structures. Any reproduction or reuse of this specification sheet is strictly prohibited unless prior written permission is granted by B-Tech AV Mounts Co., Ltd. 2018.

SS-V3-BT5935-060124