

BT5920

FIXED CEILING MOUNT FOR Ø1.5" POLES

The BT5920 is a ceiling mount from B-Tech's System V Range; a collection of components designed for the installation of CCTV and other ceiling-mounted equipment. Based around the use of BT5935 Ø1.5" poles, users of System V can create custom ceiling-mounted solutions that suit their specific needs, using compatible B-Tech mounting interfaces and accessory collars to mount CCTV dome cameras and other AV equipment such as flat screens.

SPECIFICATIONS

Max load	165lbs
Drop	4.05"
Ceiling plate diameter	4.72"
Color	White

FEATURES

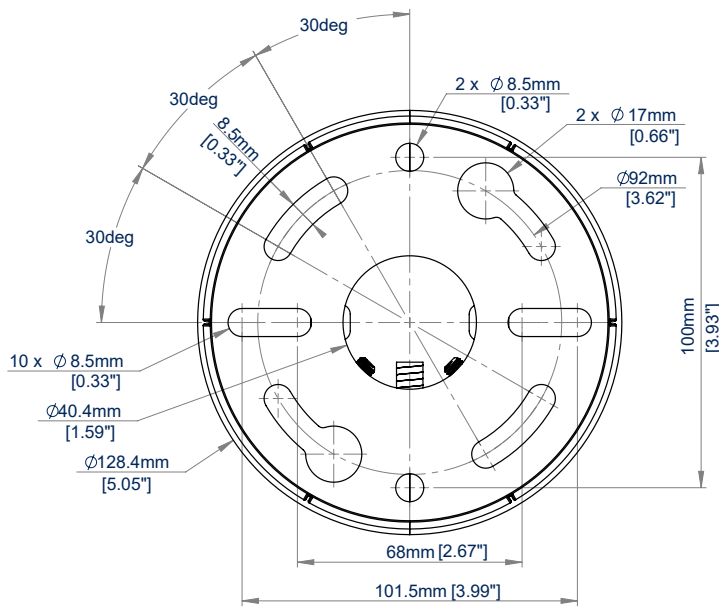
- 1** Allows BT5935 Ø1.5" poles to be mounted from the ceiling
- 2** Safety bolt ensures pole and ceiling mount are securely joined
- 3** Integrated cable management
- 4** Create a variety of ceiling mounted installs with System V components
- Heavy duty steel capable of supporting substantial loads
- Grub screws allow micro-adjustment of the pole
- Includes cover plate for smart installation



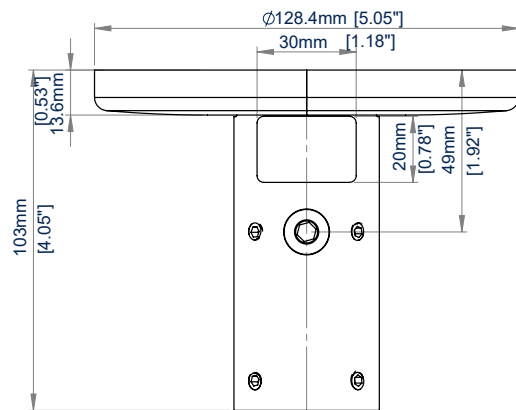
SYSTEM V™



BT5920



TOP VIEW



SIDE VIEW

ORDERING INFORMATION

COLOR	ORDER REF	UPC
White	BT5920-W	811867038255

RELATED PRODUCTS

PRODUCT CODE	NAME	DESCRIPTION
BT5935	System V Ø1.5" Poles	Available in 39.37" or 78.74" metre lengths
BT5910	System V Dome Security Mount	Carousel mount designed for small to medium dome CCTV camera
BT5911	System V Dome Security Mount	Carousel mount designed for large dome CCTV camera
BT5960	System V CCTV Ceiling Mount	Off-the-shelf CCTV ceiling mount, available in 1 or 2 metre lengths

© 2018 B-Tech AV Mounts Co., Ltd. All rights reserved.
 The information in this document is subject to change without notice. The B-Tech name and the B-Tech logo are registered trademarks of B-Tech AV Mounts Co., Ltd.
 B-Tech is not responsible for any damage or loss of data caused by improper installation or mounting on unstable structures. Any reproduction or translation of any part of this
 specification is strictly prohibited without prior written permission from B-Tech AV Mounts Co., Ltd.

SS-V3-BT5920-050924-NA