

**BT5441**  
elements • fixed 400

**FLAT SCREEN WALL MOUNT**  
FOR SCREENS UP TO 65"

**B-Tech Elements** products offer the core traits that B-Tech is known for, exceptional build quality, strength, and reliability, without some of the premium features typically reserved for our flagship mounts. Designed for medium to large-sized screens, the **BT5441** is a slim profile flat screen wall mount capable of mounting displays of up to 110lbs at a depth of just 1.10" from the wall. Perfect for hospitality and similar applications, the mount includes a universal interface compatible with VESA patterns up to 450 x 400. For added convenience, built-in lateral adjustment and a quick-release locking mechanism are featured, ensuring a flexible, hassle-free installation.

**SPECIFICATIONS**

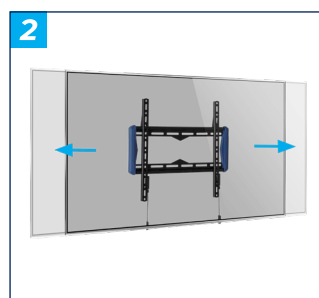
Recommended screen size	up to <b>65"</b>
Max load	<b>110lbs</b>
VESA® & non-VESA fixings	up to <b>450 x 400</b>
Distance from wall	<b>1.10"</b>

**FEATURES**

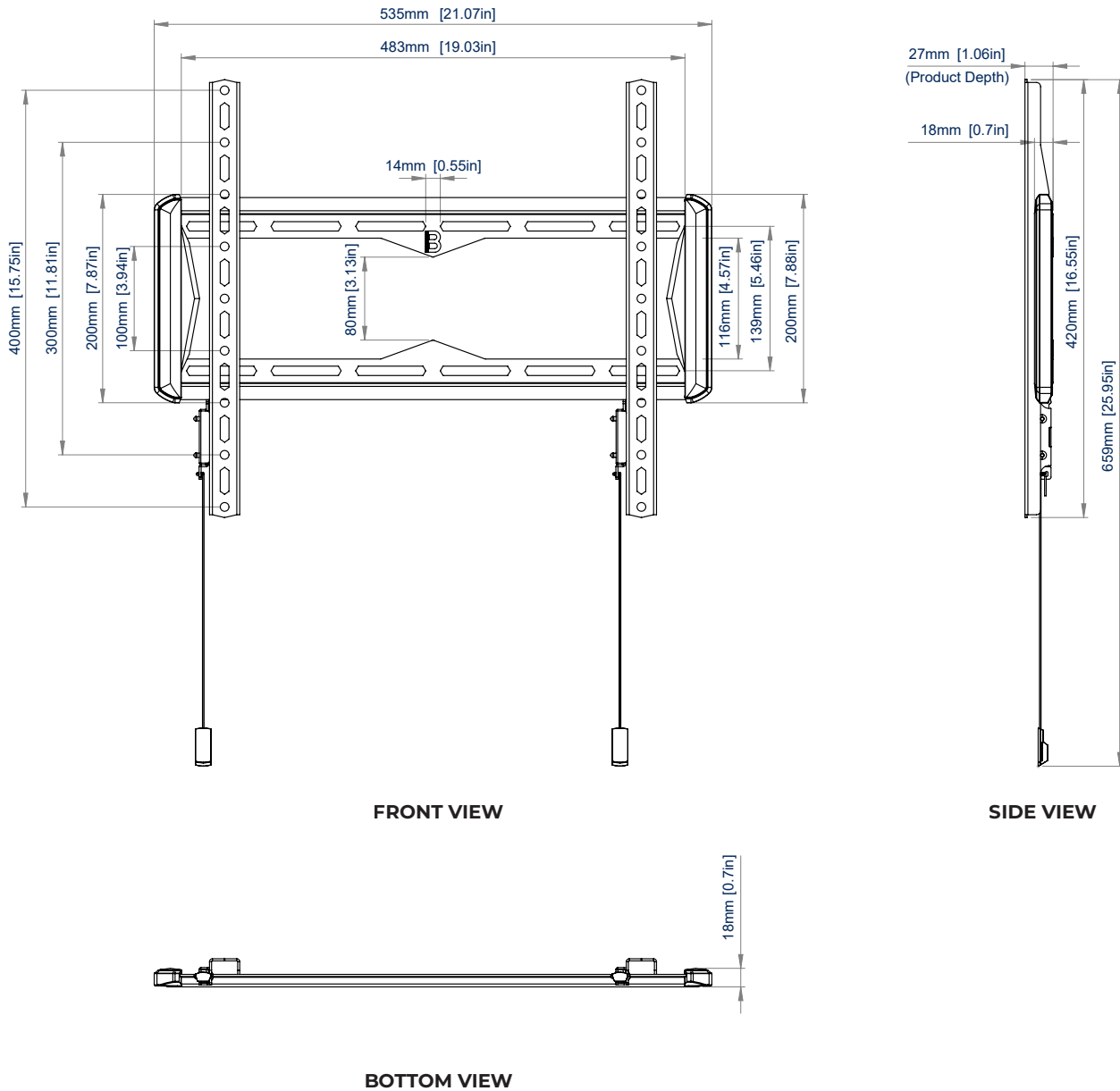
- 1 Low-profile design mounts screen only 1.10" from the wall
  - 2 Lateral adjustment of the screen once mounted
  - 3 Easy-to-use locking and release mechanism with a pull-to-release cord
  - 4 Simple 'hook-on' installation with all mounting hardware included
- Contemporary design featuring aesthetic end caps



RECOMMENDED MAX SCREEN	MAX LOAD	MAX VESA	POST INSTALL ALIGNMENT	QR CODE
65" 165cm	110lbs	400 x 400	← →	



**BT5441**  
elements • fixed 400



**ORDERING INFORMATION**

COLOR	ORDER REF	UPC
Black	BT5441/B	811867030334

**RELATED PRODUCTS**

PRODUCT CODE	NAME	DESCRIPTION
BT5442	Flat Screen Fixed Wall Mount	Designed to mount screens up to 80"
BT8441	Fixed Flat Screen Wall Mount	Designed to mount screens up to 55"
BT8431	Flat Screen Wall Mount with Tilt	Designed to mount screens up to 55"
BT8226	Flat Screen Wall Mount with Tilt & Swivel	Double Arm solution designed to mount screens up to 65"

© 2018 B-Tech, All Rights Reserved. The information on this specification sheet reflects the current technical specifications at the time of printing. We reserve the right to change the technical or physical specifications without prior notice. The B-Tech name and the B-Tech logo are registered trademarks of B-Tech, All Mounts Corporation Ltd. B-Tech is not responsible for any damage caused by improper installation or mounting on unstable structures. Any reproduction or reuse of information or specification of any part of this specification sheet is strictly prohibited unless prior written permission is granted by B-Tech, All Mounts Corporation Ltd. B-Tech.

SS-V1-BT5441-040924-NA