



# BT332

## SPEAKER WALL MOUNTS

### WITH TILT & SWIVEL (PAIR)

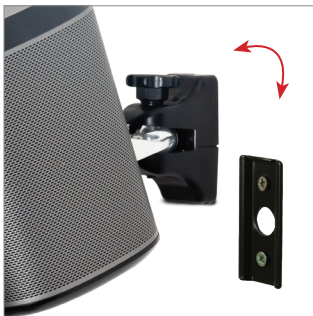
Designed to mount home cinema speakers to the wall, the BT332 is a compact and effective solution that provides a tilt and swivel adjustment to direct the sound to the desired location. Now compatible with the popular SONOS® Brand of wireless "smart speaker" systems, the BT332 is a current solution for the most modern speakers on the market.

#### SPECIFICATION

Max load	11lbs (5kg)
Tilt Adjustment	+/-20°
Swivel	180°
Distance from wall	2.83"
Distance between dual fixing points	2"-2.64"
Color	Black or White

#### FEATURES

- Designed for home cinema speakers up to 11lbs
- Thumbwheel for easy adjustment of tilt: +/-20° and swivel: 180°
- Includes adaptors for keyhole, single point and dual point fixings
- Suitable for speakers using M5, M6, UNC 1/4" and wood screws
- Mounts speaker only 2.83" from wall
- No visible wall fixing screws
- Simple 'hook-on' installation with all mounting hardware included
- Compatible with SONOS® Play:1 and Play:3 speakers (in portrait mode)
- Supplied in pairs
- Patented design



Simple 'hook-on' installation



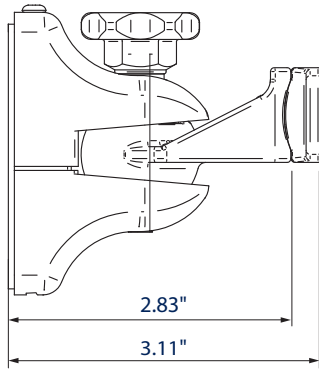
Includes optional dual point adaptor



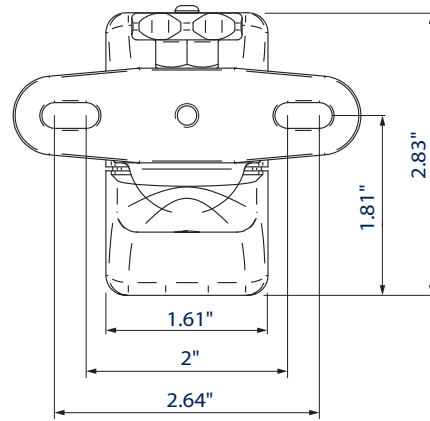
Thumbwheel for easy tilt and swivel adjustment



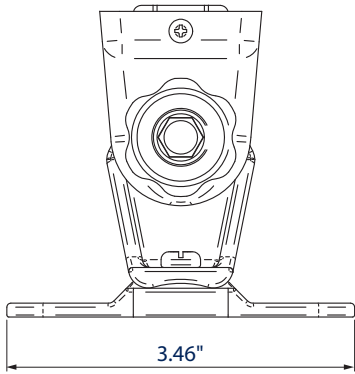
Supplied in pairs



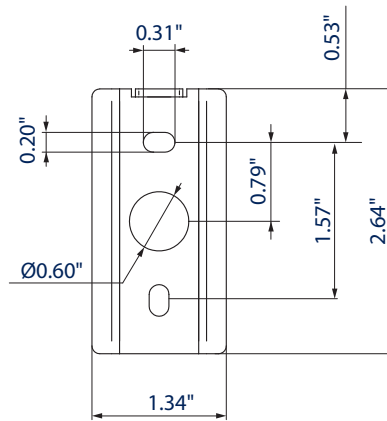
SIDE VIEW



FRONT VIEW



TOP VIEW



WALL PLATE

PACKING INFORMATION

COLOR:	ORDER REF:	UPC CODE:	MASTER CARTON CUBE:	MASTER CARTON CUBE:
Black	BT332/B	811867032956	24lbs (11kg)	0.81cuft (0.02cbm)
White	BT332/W	811867032963	24lbs (11kg)	0.81cuft (0.02cbm)

RELATED PRODUCTS



**BT1**  
Speaker Wall Mounts designed to mount home cinema speakers up to 22lbs



**BT15**  
Center Speaker Wall Mount with adjustable arms designed to mount speakers up to 33lbs



**BT77**  
Side Clamping Loudspeaker Wall Mounts designed to mount speakers up to 55lbs



**BT608**  
Atlas Speaker Stands Height 33" Designed to mount speakers up to 77lbs

© 2016 B-Tech AV Mounts, a division of B-Tech, Inc. All rights reserved. The information in this specification sheet reflects the current technical specifications at the time of print. We reserve the right to change the material or physical specifications without prior notice. The B-Tech name and the B-Tech logo are registered trademarks of B-Tech International Design & Manufacturing Limited. All other trademarks are the property of their respective owners. B-Tech is not responsible for any loss or damage caused by improper installation or mounting on unsuitable surfaces. Any reproduction or republishing of any part of this specification sheet is strictly prohibited unless prior written permission has been granted by B-Tech International Design & Manufacturing Limited. 32411

SS-V4-BT332-310720-US