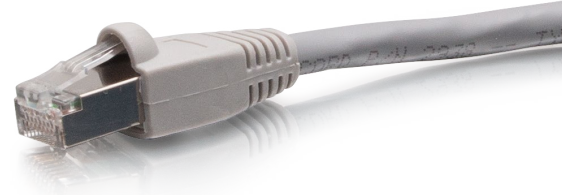


TAA-COMPLIANT F-SERIES CAT6 SNAGLESS SHIELDED (STP) NETWORK CABLE

Meets stringent TAA compliant requirements and is approved for use in United States government projects and facilities

Protect a high speed network from noise and electromagnetic interference when connecting with our Snagless Shielded Cat6 patch cable. This Snagless Shielded Cat6 network cable is designed for network adapters, hubs, switches, routers, servers and more. Constructed with premium, made in the USA copper cabling with aluminum foil shield designed to counter EMI, RFI, and alien crosstalk.



C2G43707

FEATURES

- TAA-compliant
- Constructed with high quality, made in the USA raw cable for consistent, reliable performance
- Standard RJ45 connectors - Al foil shield, 100% coverage
- 50-micron gold-plated contacts improve signal integrity
- Meets or exceeds all ANSI/TIA-568.2-D Category 6 industry standards for supporting a wide variety of applications, including 1000BASE-T (1 Gigabit Ethernet)
- Available in a wide variety of colors to easily color-code your network installation
- Available in lengths up to 25 feet (7.6 m)
- Lifetime warranty

TAA-COMPLIANT F-SERIES CAT6 SNAGLESS SHIELDED (STP) NETWORK CABLE

PART NUMBERS

LENGTH	GRAY	BLUE	GREEN	YELLOW	RED	WHITE
6in (0.15m)	C2G43707	C2G43721	C2G43735	C2G43763	C2G43749	C2G43777
1ft (0.3m)	C2G43708	C2G43722	C2G43736	C2G43764	C2G43750	C2G43778
2ft (0.6m)	C2G43709	C2G43723	C2G43737	C2G43765	C2G43751	C2G43779
3ft (0.9m)	C2G43710	C2G43724	C2G43738	C2G43766	C2G43752	C2G43780
4ft (1.2m)	C2G43711	C2G43725	C2G43739	C2G43767	C2G43753	C2G43781
5ft (1.5m)	C2G43712	C2G43726	C2G43740	C2G43768	C2G43754	C2G43782
6ft (1.8m)	C2G43713	C2G43727	C2G43741	C2G43769	C2G43755	C2G43783
7ft (2.1m)	C2G43714	C2G43728	C2G43742	C2G43770	C2G43756	C2G43784
10ft (3m)	C2G43715	C2G43729	C2G43743	C2G43771	C2G43757	C2G43785
12ft (3.7m)	C2G43716	C2G43730	C2G43744	C2G43772	C2G43758	C2G43786
14ft (4.3m)	C2G43717	C2G43731	C2G43745	C2G43773	C2G43759	C2G43787
15ft (4.6m)	C2G43718	C2G43732	C2G43746	C2G43774	C2G43760	C2G43788
20ft (6.1m)	C2G43719	C2G43733	C2G43747	C2G43775	C2G43761	C2G43789
25ft (7.6m)	C2G43720	C2G43734	C2G43748	C2G43776	C2G43762	C2G43790

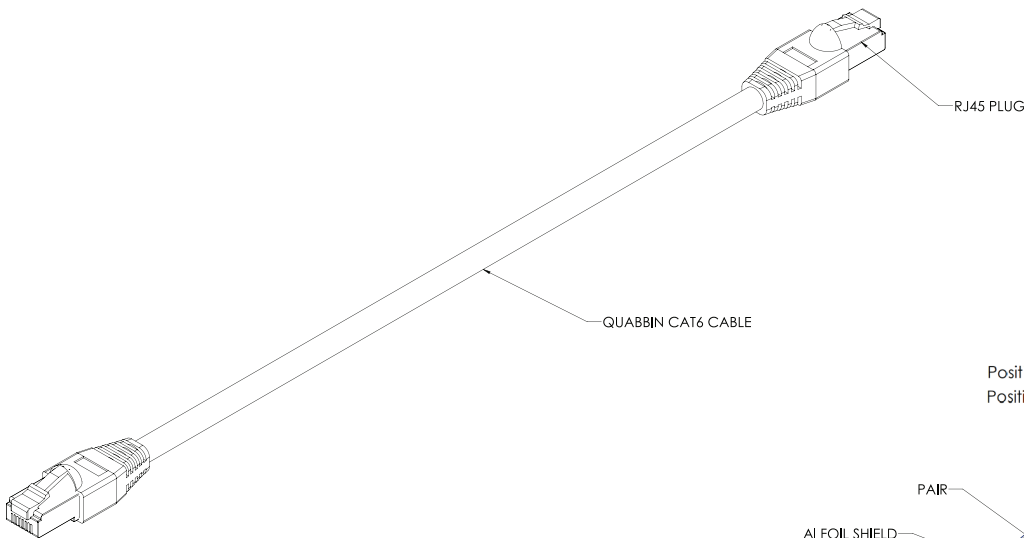
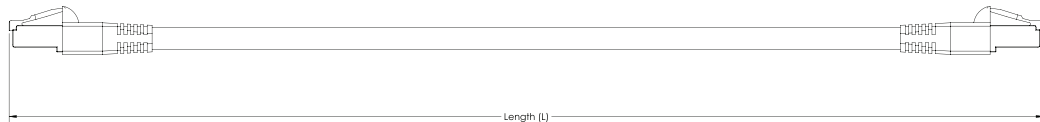
TAA-COMPLIANT F-SERIES CAT6 SNAGLESS SHIELDED (STP) NETWORK CABLE

		C2G43611-706
ELECTRICAL SPECIFICATIONS	Conductor DC Resistance	42.6Ω/1000ft (maximum)
	Impedance	100 +/- 15 Ω
	Capacitance	13.5pf/ft @ 1MHz
	Voltage Rating	300V (maximum)
	Propagation Delay	534 + 36/√f ns/100m
	Delay Skew	<45ns/100m
PHYSICAL SPECIFICATIONS	Wiring Scheme	T568B
	Operating Temperature Range	-4°F to 167°F (-20°C to 75°C)
	Approvals	CE; RoHS; UKCA
	Standards	Meets ANSI/TIA-568.2-D and ISO/IEC 11801-1 electrical performance
	Warranty	Lifetime
	Package Type	Polybag
CONDUCTOR	Conductor Gauge	26AWG
	Insulation	HDPE: .009in nominal wall thickness
	Twist Pair	Blue, White/Blue, Orange, White/Orange, Green, White/Green, Brown, White/Brown
	Shield	AL Foil Shield, 100% Coverage
CONNECTORS	Connector	RJ45 (8P8C)
	Connector Type	Snagless
	Gender	Male
	Contacts	Gold Plated 50μ
	Hood	Molded PVC
OVERALL CABLE	Jacket	PVC
	Jacket Rating	CMR
	OD	6.0mm

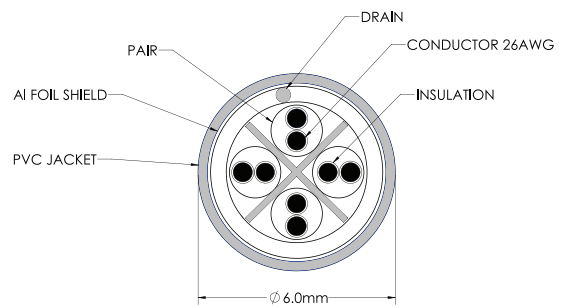
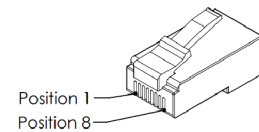


TAA-COMPLIANT F-SERIES CAT6 SNAGLESS SHIELDED (STP) NETWORK CABLE

SPECIFICATIONS



WIRE MAP T568B		
8P8C PIN#	WIRE COLOR	8P8C PIN#
1	WHT/ORG	1
2	ORG	2
3	WHT/GRN	3
4	BLU	4
5	WHT/BLU	5
6	GRN	6
7	WHT/BRN	7
8	BRN	8



LEGRAND | AV COMMERCIAL BRANDS

C2G | Chief | Da-Lite | Luxul | Middle Atlantic | Vaddio | Wiremold

SIMPLIFIED CONNECTIVITY

USA 800.506.9607 | legrandav.com | customer-service@c2g.com

EMEA +31 495 580 840 | legrandav.com | c2g.emea@av.legrand.com

©2024 Legrand AV Inc. 240130 Rev A 3/24 C2G is a registered trademark of Legrand AV Inc. All other brand names or marks are used for identification purposes and are trademarks of their respective owners. All patents are protected under existing designations. Other patents pending.