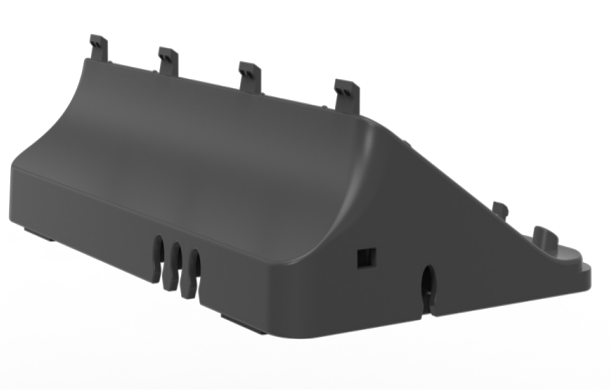


# CTP25 Mount Kits

## Introduction

The Mount Kits are respectively used for CTP25 deployment:

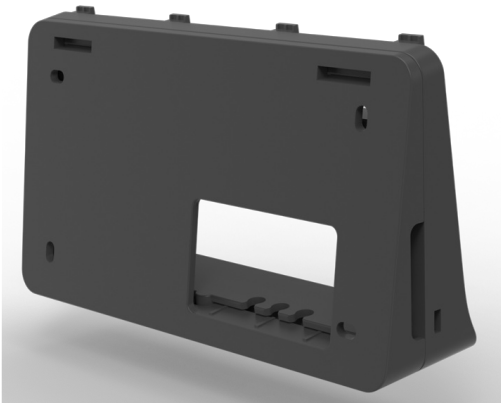
- 1. Desk Stand (Low/High): place on the table
- 2. Wall Mount: mount on a wall
- 3. Table Lock Kit: mount on the table



**Desk Stand(Low)**



**Desk Stand(High)**



**Wall-Mounted**



**Table Lock Kit**

## Specification

Parameter	Description
-----------	-------------

Physical Feature	Dimension (W* D* H): - Desk Stand (Low): 175*130*35 mm - Desk Stand (High): 171.5*100*85 mm - Wall-Mounted: 171.5*103.5*45 mm - Table Lock Kit: 166*86.8*72 mm Carton Meas: 515*310*210 mm N.W/CTN: 4.32kg G.W/CTN: 4.986kg
------------------	--

## Device Compatibility

The Mount Kits supported by the device are as follows:

Device Name	Mount Kits
CTP25	√

Mounts Compatibility Lists please refer to [Mounts Compatibility Lists](#).

## How to Use

refer to [CTP25](#).