

FLAT SCREEN WALL MOUNT FOR SCREENS UP TO 65"

B-Tech Elements products offer the core traits that B-Tech is known for, exceptional build quality, strength, and reliability, without some of the premium features typically reserved for our flagship mounts. Designed for medium to large-sized screens, the **BT5441** is a slim profile flat screen wall mount capable of mounting displays of up to 50kg at a depth of just 27mm from the wall. Perfect for hospitality and similar applications, the mount includes a universal interface compatible with VESA patterns up to 450 x 400mm. For added convenience, built-in lateral adjustment and a quick-release locking mechanism are featured, ensuring a flexible, hassle-free installation.

SPECIFICATIONS

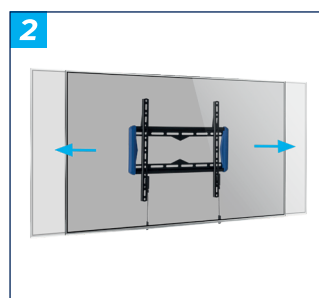
Recommended screen size	up to 65"
Max load	50kg
VESA® & non-VESA fixings	up to 450 x 400mm
Distance from wall	27mm

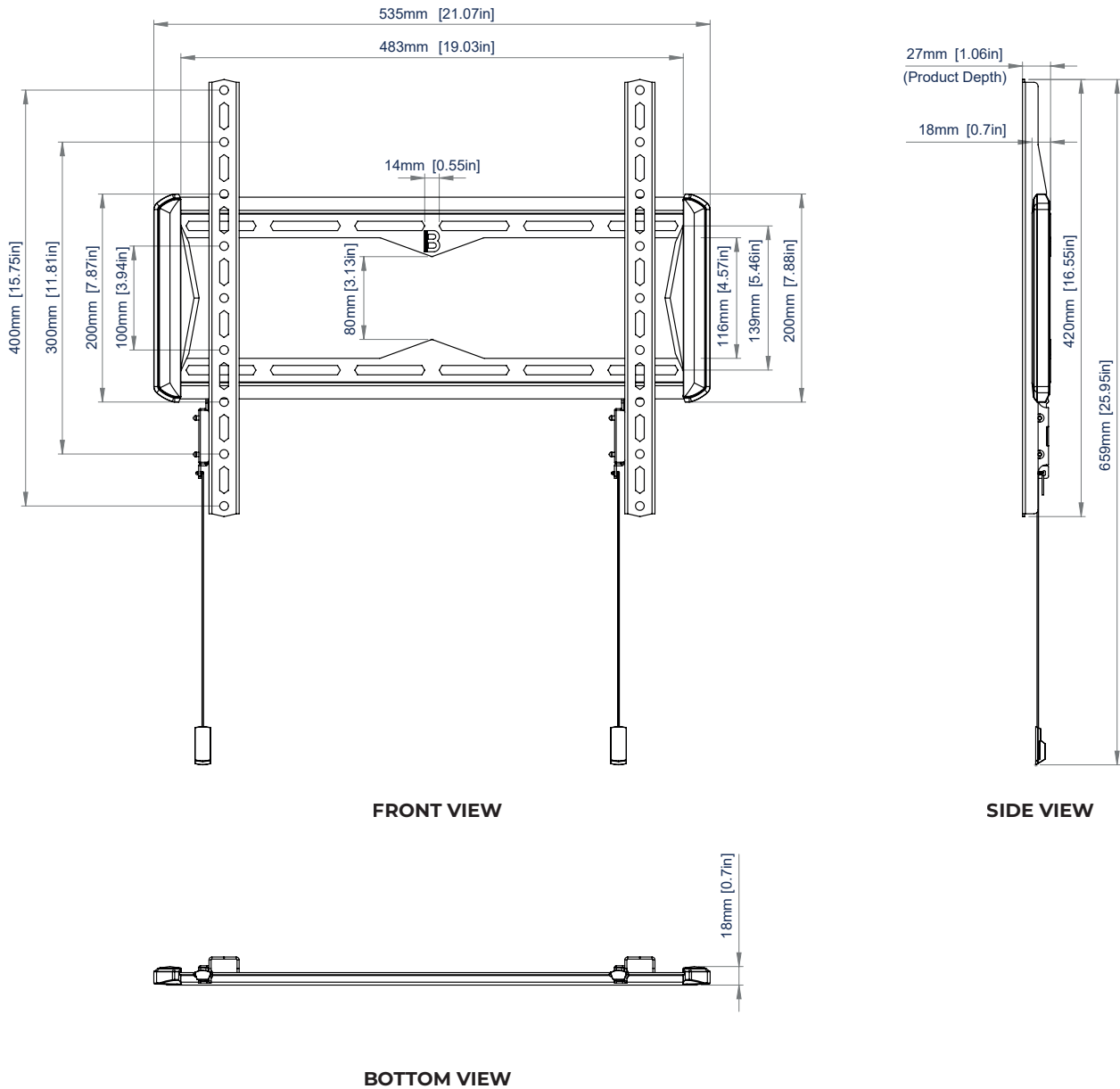
FEATURES

- 1 Low-profile design mounts screen only 27mm from the wall
 - 2 Lateral adjustment of the screen once mounted
 - 3 Easy-to-use locking and release mechanism with a pull-to-release cord
 - 4 Simple 'hook-on' installation with all mounting hardware included
- Contemporary design featuring aesthetic end caps



RECOMMENDED MAX SCREEN	MAX LOAD	MAX VESA	POST INSTALL ALIGNMENT	QR CODE
65" 165cm	50kg	400 x 400	← →	





ORDERING INFORMATION

COLOUR	ORDER REF	EAN
Black	BT5441/B	5019318308765

RELATED PRODUCTS

PRODUCT CODE	NAME	DESCRIPTION
BT5442	Flat Screen Fixed Wall Mount	Designed to mount screens up to 80"
BT8441	Fixed Flat Screen Wall Mount	Designed to mount screens up to 55"
BT8431	Flat Screen Wall Mount with Tilt	Designed to mount screens up to 55"
BT8226	Flat Screen Wall Mount with Tilt & Swivel	Double Arm solution designed to mount screens up to 65"

© 2018 B-Tech, AV Mounts Corporation Ltd. All rights reserved.
The information in this specification sheet reflects the current technical specifications at the time of printing.
We reserve the right to change the technical or physical specifications without prior notice. This is not intended to constitute a contract.
B-Tech is not responsible for any damage or loss of data caused by improper installation or mounting on unstable structures. Any reproduction or use without our express permission is prohibited.
Specification sheet is strictly for informational purposes and does not constitute an offer or any other form of contract.
SS-V1-BT5441-110924