

## PULL OUT FLAT SCREEN WALL MOUNT WITH TILT & SWIVEL

**B-Tech Elements** products offer the core traits that B-Tech is known for: exceptional build quality, strength, and reliability, without some of the premium features typically reserved for our flagship mounts. Designed for large screens, the **BT8443** is a pull-out flat screen wall mount with extendable arms that allow the display to swivel and tilt at various angles, which is ideal for recess mounting or for optimising the viewing angle. Capable of supporting displays of up to 35kg, the mount includes a universal interface compatible with VESA patterns up to 650 x 400mm and offers built-in lateral adjustment.



### SPECIFICATIONS

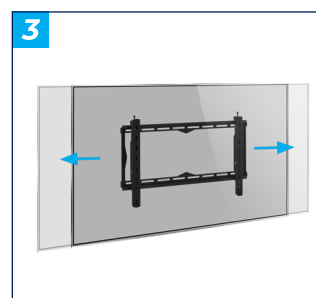
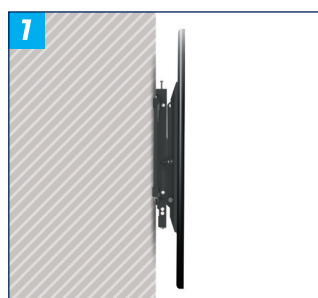
Recommended screen size	up to <b>75"</b>
Max load	<b>35kg</b>
Dimensions	W: <b>686mm</b> H: <b>444mm</b> D: <b>69mm</b>
VESA® & non-VESA fixing patterns	up to <b>650 x 400mm</b>
Tilt	<b>+12/-2°</b>
Swivel	<b>28°</b>
Distance from wall	Min: <b>69mm</b> - Max: <b>220mm</b>

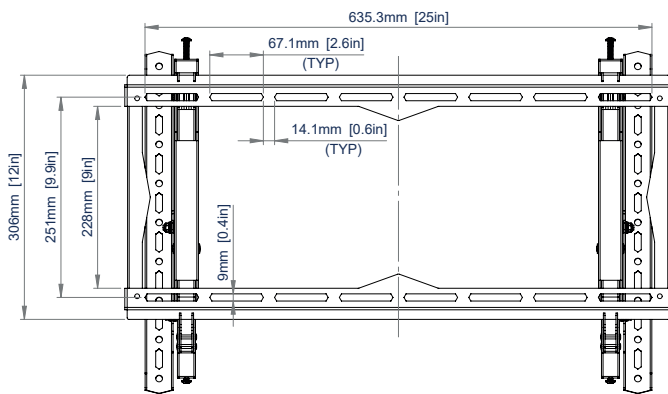
### FEATURES

- 1 Mounts just 69mm from the wall when the arms are retracted
  - 2 Extendable mount pulls out from wall
  - 3 Lateral adjustment of the screen once mounted
  - 4 Levelling screws allow adjustment of screen height
- Suitable for shallow recess mounting
  - Adjustable tilt and swivel
  - Simple 'hook-on' installation with all mounting hardware included
  - Safety screws help prevent unauthorised removal of the screen

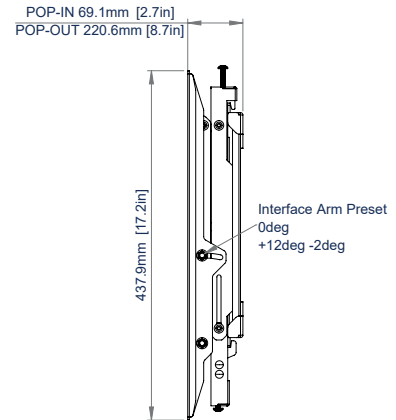


RECOMMENDED MAX SCREEN	MAX LOAD	MAX VESA	POST INSTALL ALIGNMENT	TILT	SWIVEL	QR CODE
75" 190cm	35kg	600 x 400				

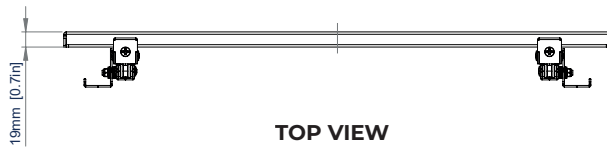




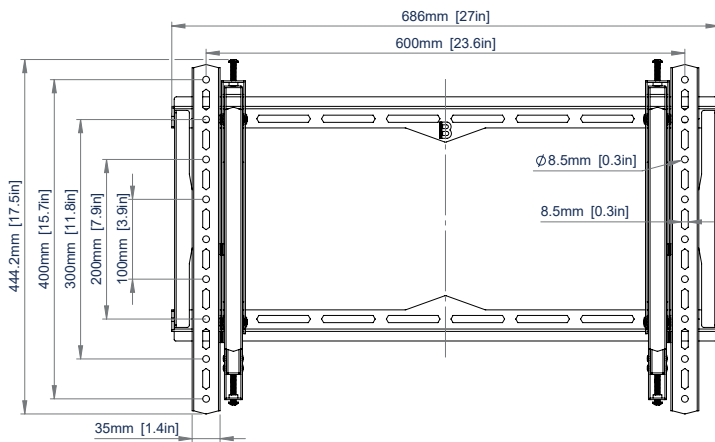
**REAR VIEW**



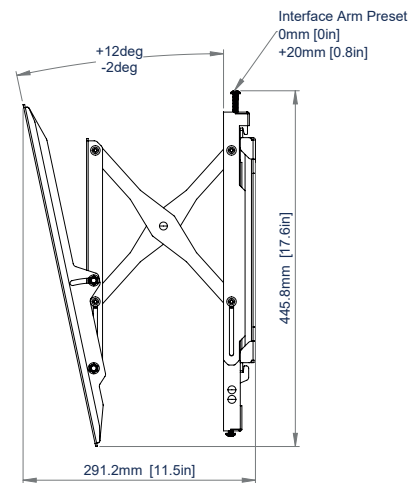
**SIDE VIEW  
RETRACTED**



**TOP VIEW**



**FRONT VIEW**



**SIDE VIEW  
EXTENDED**

**ORDERING INFORMATION**

COLOUR	ORDER REF	EAN
Black	BT8443/B	5019318308994

**RELATED PRODUCTS**

PRODUCT CODE	NAME	DESCRIPTION
BT9910	XL Heavy Duty Wall Mount With Tilt	Designed to mount screens up to 100" and 130kg
BT8312	Slimline Soft-Open Full Service Wall Mount	Designed for low profile installs on walls or mounting in recesses
BT8442	Universal Flat Screen Wall Mount	Designed to mount screens up to 80" and 80kg
BT8432	Flat Screen Wall Mount with Tilt	Designed to mount screens up to 80" and 70kg

© 2018 B-Tech AV Mounts Corporation Ltd. All rights reserved.  
The information in this specification sheet reflects the current technical specifications at the time of printing.  
We reserve the right to change the technical or physical specifications without prior notice. The B-Tech name and the B-Tech logo are registered trademarks of B-Tech AV Mounts Corporation Ltd.  
B-Tech is not responsible for loss or damage caused by improper installation or mounting on unstable structures. Any reproduction or use of information or any part of this specification sheet is strictly prohibited unless prior written permission is granted by B-Tech AV Mounts Corporation Ltd. B-Tech.

SS-V1-BT8443-1.00924