

Heckler

Build Confidence



Heckler Confidence Stand
H1010









*Shown with optional accessory

Heckler

Elevate your live presentations and training sessions with the Heckler Confidence Stand—the innovative rolling stand that transforms how your presenters connect with their audience. By mounting displays as downstage confidence monitors, your speakers will appear more prepared and fully engaged, fostering a stronger connection with viewers. Move beyond outdated podiums and teleprompters; embrace a modern, interactive presentation style that captivates and inspires.

Features

Natively compatible with displays with mounting patterns from VESA 200 to VESA 600.

Compatible with display sizes from 50 to 75 inches.

Screen angle adjustment from 30 to 60 degrees.

4-inch twin wheel, total-lock casters.

Patent-pending Heckler Connection System enables two-minute, tool-free assembly and disassembly.

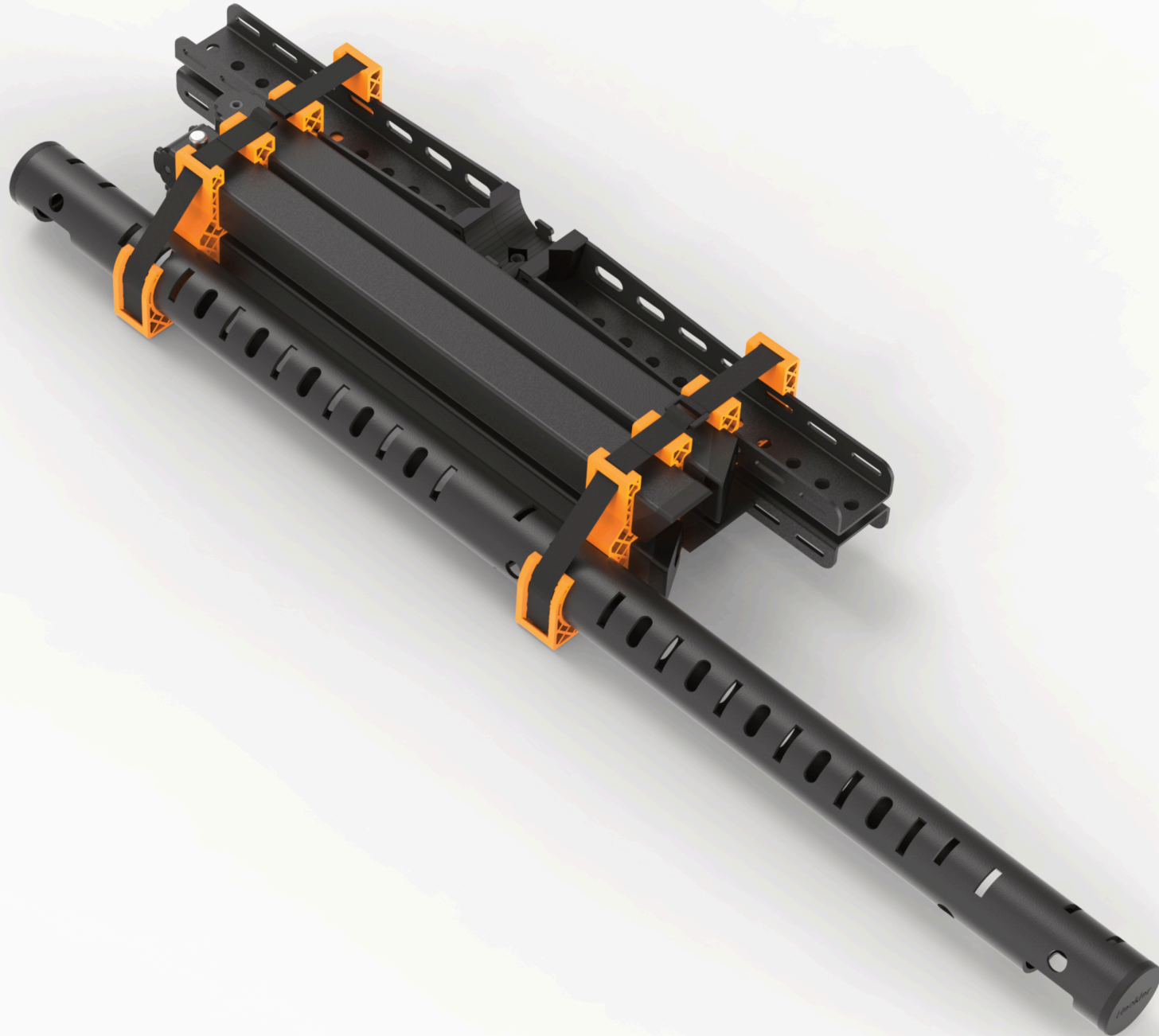
Tool-free display installation. Rails remain on the display for speedy event pack-out and deployment.

ADA compliant.

Device Shelf accessory available to mount and store small components and adapters.



Heckler



Features

Packs out to an incredibly compact bundle for cost-efficient shipping.

Ships via small package carrier to any office or event site.

Ship up to 40 packaged units per standard freight pallet.

Includes bundling ring and straps for convenient pack outs.

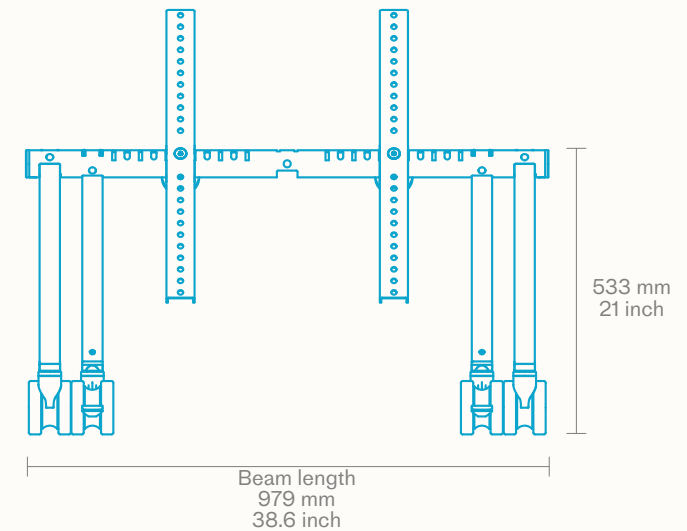
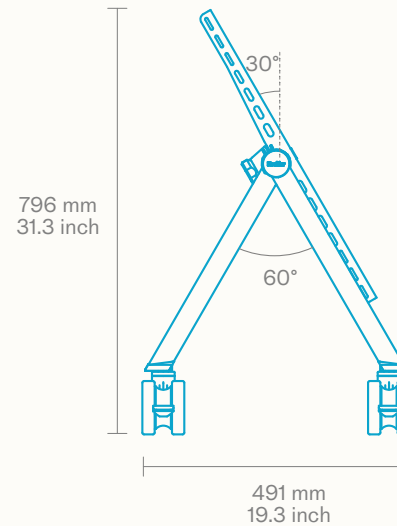
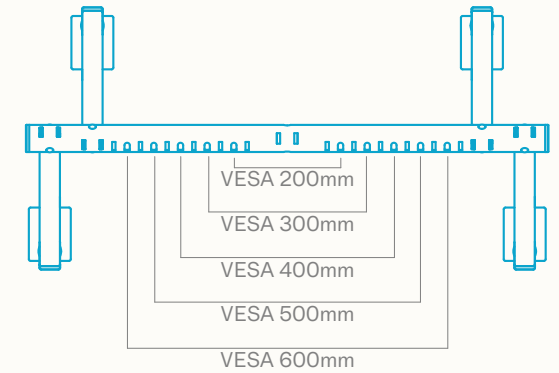
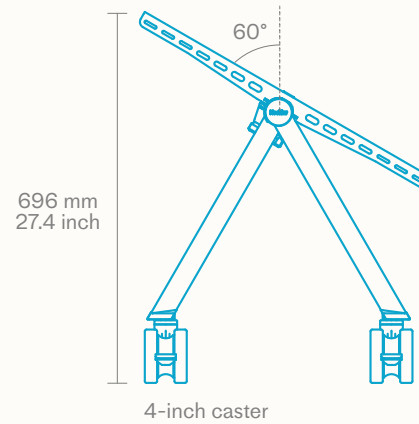
Commercial-grade, heavy tubular steel construction.

Made in Arizona. TAA compliant.

Heckler

Specifications

SKU	H1010-BK
Color	Black
Warranty	Limited lifetime
Product Dimension	38.6 x 31.3 x 19.3 inches (980 x 795 x 490 mm)
Product Weight	27 lbs (12.2 kg)
Shipping Dimension	40 x 9 x 4.75 inches (1016 x 229 x 121 mm)
Shipping Weight	30 lbs (13.6 kg)
Material	Powdercoated Steel ASA plastic Urethane
Country of Origin	US
Display Angle Adjustment Range	30 to 60 degree from the vertical
Display Compatibility	50 to 75 inch. VESA 200 to VESA 600 Up to 80 pounds
In the box	Heckler Confidence Stand main body and casters M8 Display-mounting hardware M6 Display-mounting hardware



**For more information, contact
Heckler or your favorite Heckler
Authorized Dealer.**

**hecklerdesign.com
sales@hecklerdesign.com
(844) 432-5930**