

Kiloview LinkDeck Control Panel Datasheet



Kiloview LinkDeck Control Panel

Introduction

Kiloview LinkDeck is a series of small and flexible control panels. Designed for studio producers, it provides a simple and flexible button and joystick HMI for NDI-based or other IP-based video production; similar to that of a traditional studio, avoiding the discomfort of using a mouse/keyboard operation.

Kiloview LinkDeck can control various server systems and devices over IP networks. In addition to the Kiloview ecosystem, including Multiview Pro, NDI CORE, KIS, Cube X1/Cube R1, etc., It will support control of third-party products such as vMix and NewTek TriCaster through extended plug-in in the future.

"Software-defined keys" and "virtual-reality" are the highlights of LinkDeck. The function of each key and joystick of LinkDeck can be redefined by software - Kiloview has developed a Python-based plug-in programming for this, which can respond quickly to write personalized control plug-ins for any control target and load them to LinkDeck ; Kiloview will open this interface to users in the future, then users will be free to define control targets and button functions. LinkDeck defines physical buttons or joysticks for functions frequently used by video producers to provide simple and convenient operation; for infrequently used functions, Panel Deck provides a software re-definable touch LCD screen where the software can define "virtual" operation buttons and also present video in real time.

LinkDeck consists of Panel Deck, Take Deck, PTZ Deck, Zoom Deck and KIS Deck. Each deck can be freely combined by simple assembly and installation.

Features

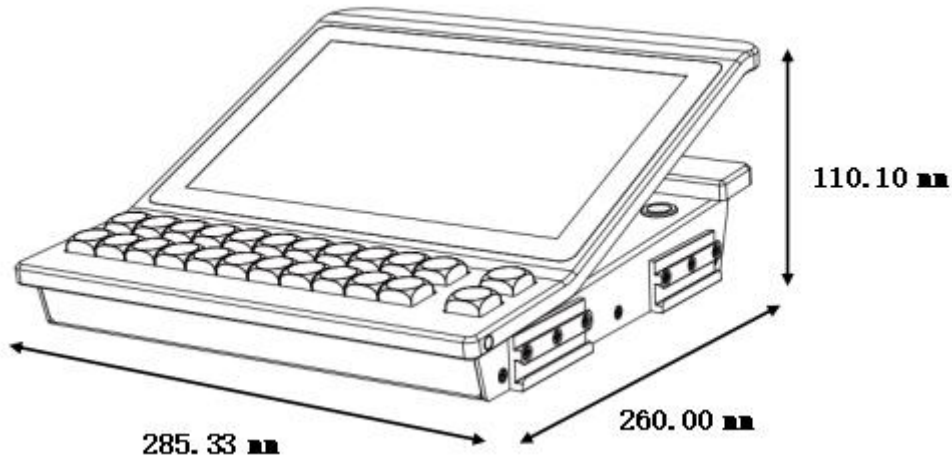
1. With physical buttons and joysticks, realizes centralized control of software and devices in all aspects of NDI IP-based video production.
2. "Software Defined Keys" - the functions of all keys and joysticks on the panel can be redefined by software, to achieve define different targets.
3. "Virtual-reality" - the physical buttons is similar to that of a traditional video production console; virtual touch buttons can be software defined on the touch screen in order to achieve flexible, elastic, and freely expandable operating functions.
4. Different (software) plug-in modules can be loaded to implement control functions for different target systems; these plug-ins come from the official Kiloview or can be written by the user.
5. The modular and expandable structure design allows flexible combination of different panels according to actual needs; the panels are with unified size specification and installation specification.
6. Based on the ability of "software-defined keys" and plug-in expansion, LinkDeck panel can realize all-in-one, centralized control and flexible switching.
7. Based on the IP protocol, connection and deployment can be made by only one network cable. And PoE supported.
8. Classic PGW/PVM switch button operation (based on Panel Deck) and Take/DSK operation (based on Take Deck).
9. PTZ camera control, color adjustment, white balance adjustment (based on PTZ Deck) and camera Zoom control, preset bit control (based on Zoom Deck).
10. Voice call console with Kiloview KIS (based on KIS Deck)
11. Management of the whole Kiloview ecosystem, including Multiview Pro, NDI CORE, KIS, KiloLink Server, Cube X1/Cube R1, etc.
12. Plug-ins can be extended to control over products from other third-party vendors,

such as vMix and NewTek TriCaste..

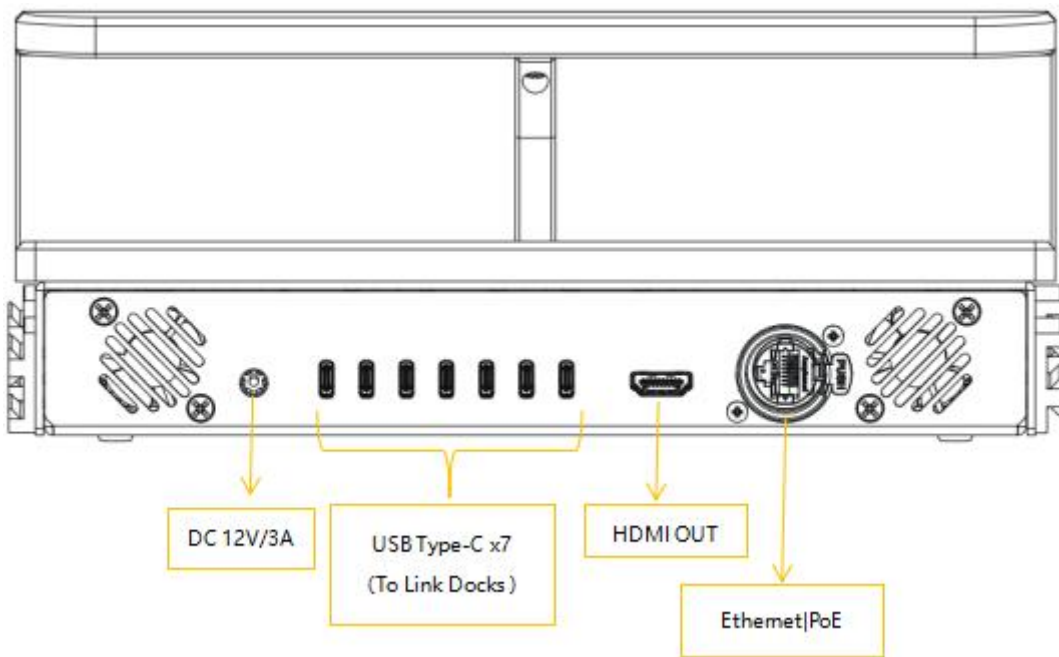
13. With patented design and comfortable user experience.

Panel Name	Model	Specification
Panel Deck	DP-01	Equipped with 10.1" touch screen, 24 x Bi-color LED keyboard, 1 x Ethernet port, and 7 x USB Type-C Link Docks, supporting flexible combination access of all the other Decks.
KIS Deck	DK-01	Supports headset, microphone, LINE IN (XLR connector) input; LINE OUT (XLR connector); Built-in speaker and volume wheel; 1 Ethernet port; 3-way switch to switch between microphone, headset and LINE input modes
PTZ Deck	DQ-01	With five-way joystick, PTZ control supported; three knobs to adjust the aperture, exposure, white balance independently.
Zoom Deck	DZ-01	Zoom rocker for simply zoom in / out; Preset button to switch the preset position.
Take Deck	DT-01	With T-Bar and DSK control buttons.

Panel Deck---Dimension



Panel Deck---Interfaces

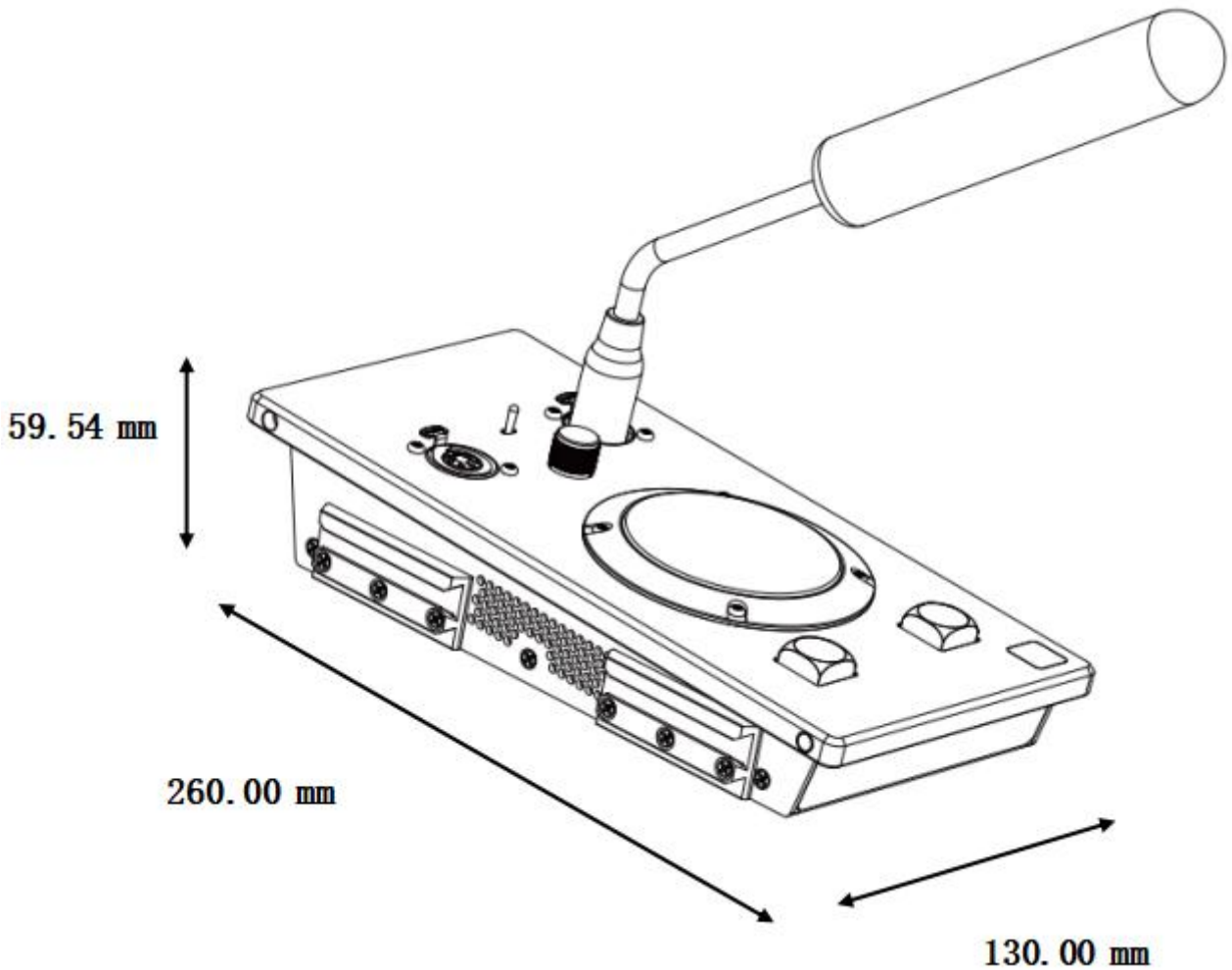


Panel Deck---Parameters

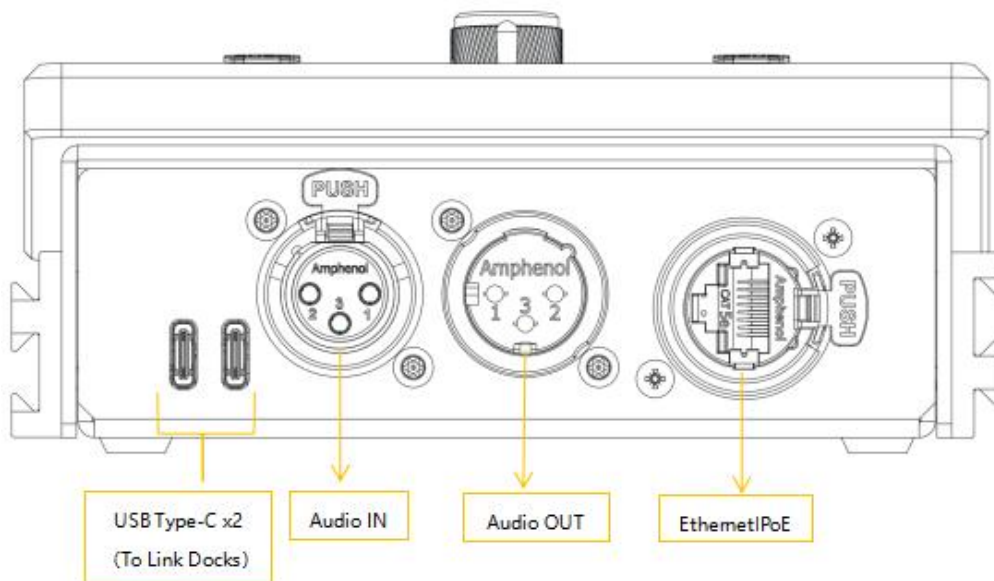
Product Model	Panel Deck
Display	10.1" Multi-touch LCD screen
Resolution	1920 x 1200
Keyboard	24 keys (Bi-color tally)
Video Output	HDMI 2.0, up to 4Kp60

Network Port	RJ-45 100/1000M Ethernet with PoE++ supported (802.11BT supported)
DC Port	DC 5.5/2.1mm 12V/3A
USB Port	7x USB Type-C 2.0
Power Consumption	20W (Typical power consumption)
Operating Temperature	-20°C~45°C
Dimension	285.33x260x110.10mm
Weight	3.02kg

KIS Deck---Dimension



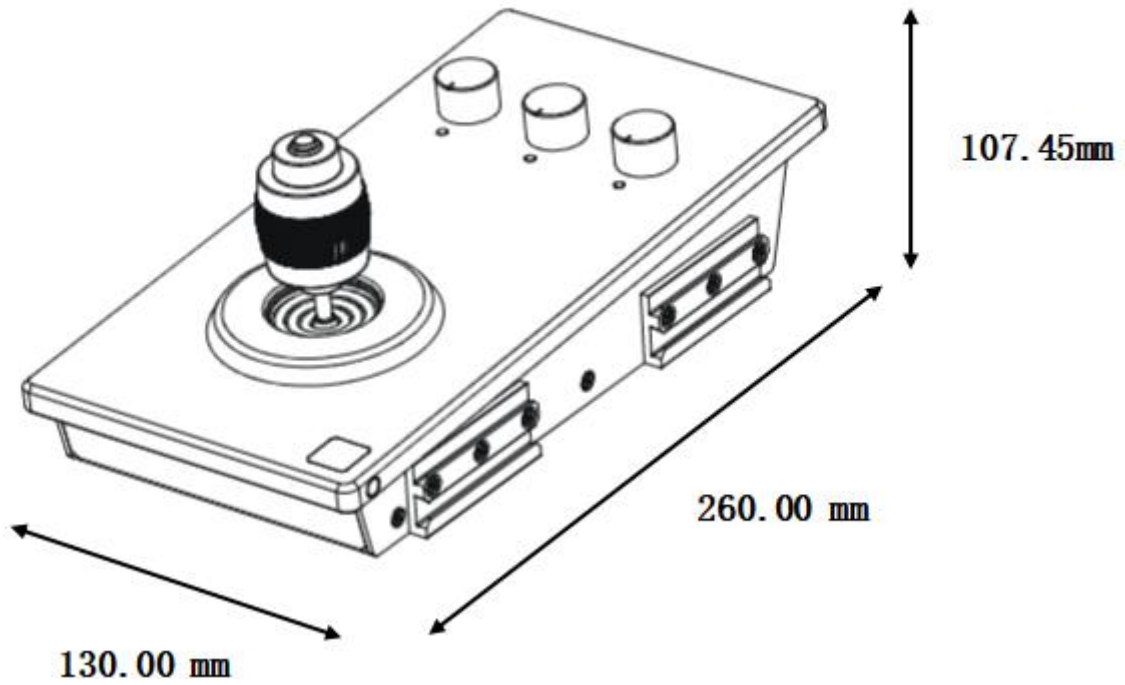
KIS Deck---Interfaces



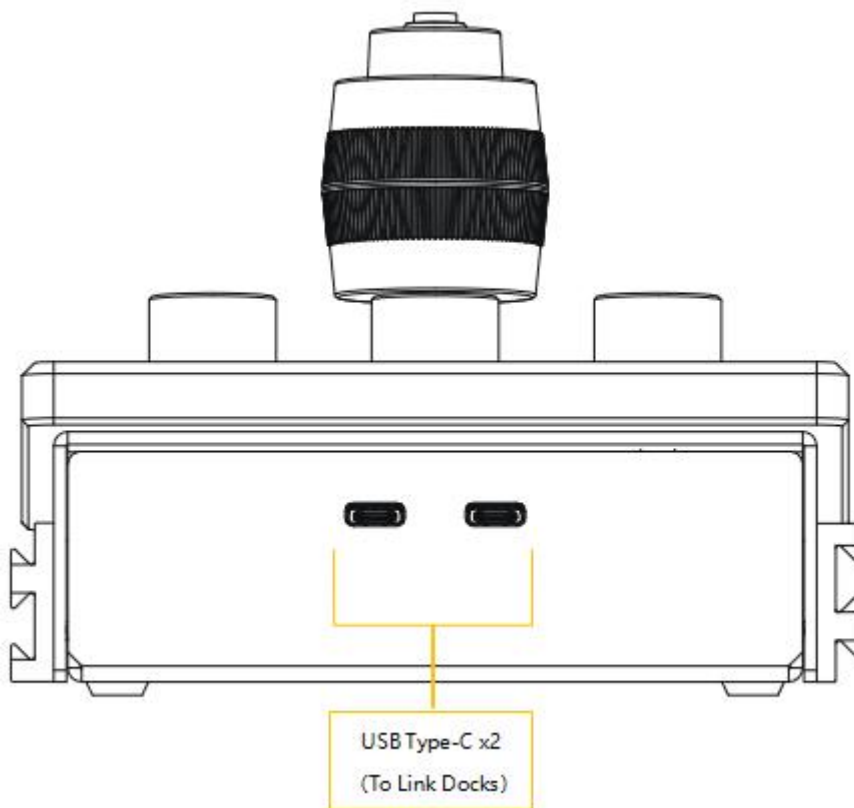
KIS Deck---Parameters

Product Model	KIS Deck
Audio Interface	1 × Headphone (5 pin XLR Female Chassis)
	1 × Microphone (3 pin XLR Female Chassis)
	1x Line In (3 pin XLR Female Chassis)
	1x Line Out (3 pin XLR Male Chassis)
Network Port	1x RJ-45 100/1000M Ethernet with PoE
Volume Wheel	1
Control Buttons	2
Speaker	1
Audio Output Switch	1 (Three-way Switch support headset, microphone, Line In switching)
USB Port	2x USB Type-C 2.0
Operating Temperature	-20°C~45°C
Dimension	130.00x260.00x59.54mm
Weight	1.60kg

PTZ Deck---Dimension



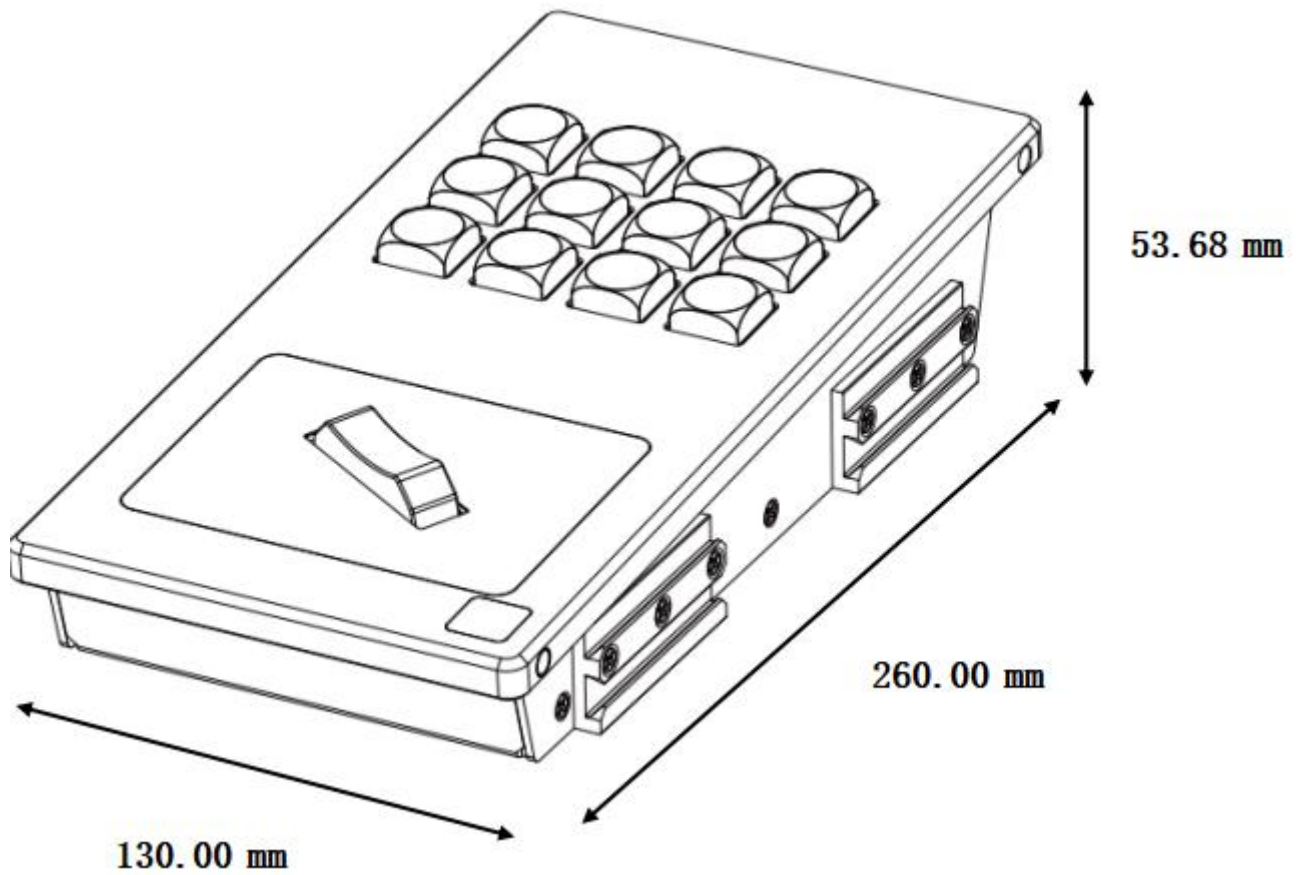
PTZ Deck---Interfaces



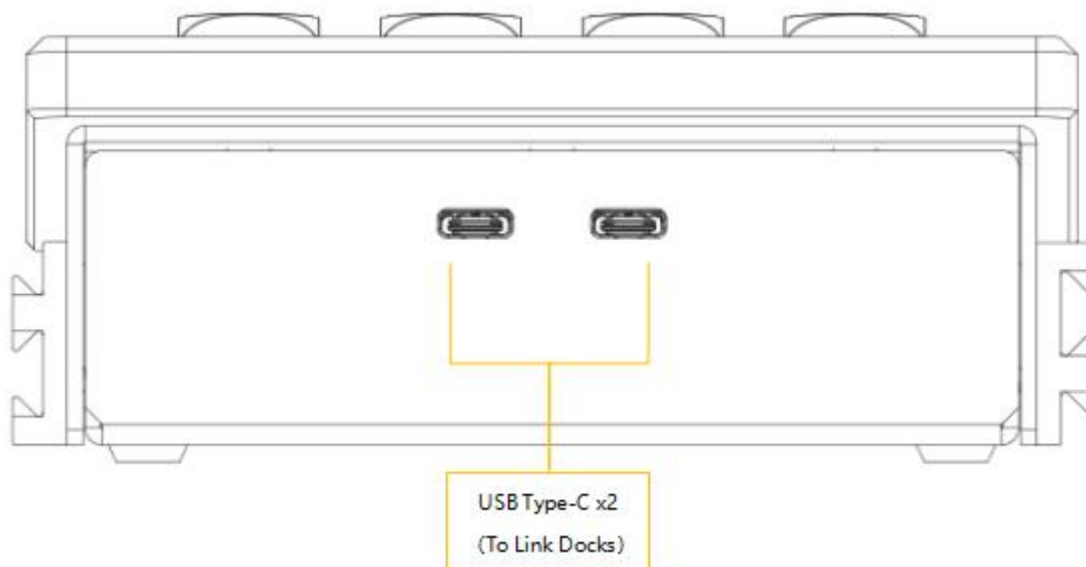
PTZ Deck---Parameters

Product Model	PTZ Deck
Joystick	1 (five-way control)
Aperture Control Knob	1
Exposure Control Knob	1
White Balance Control Knob	1 (requires Panel Deck's virtual button assist)
USB Port	2 x USB Type-C 2.0
Dimension	130.00x260.00x107.45mm
Weight	1.50kg

Zoom Deck---Dimension



Zoom Deck---Interfaces

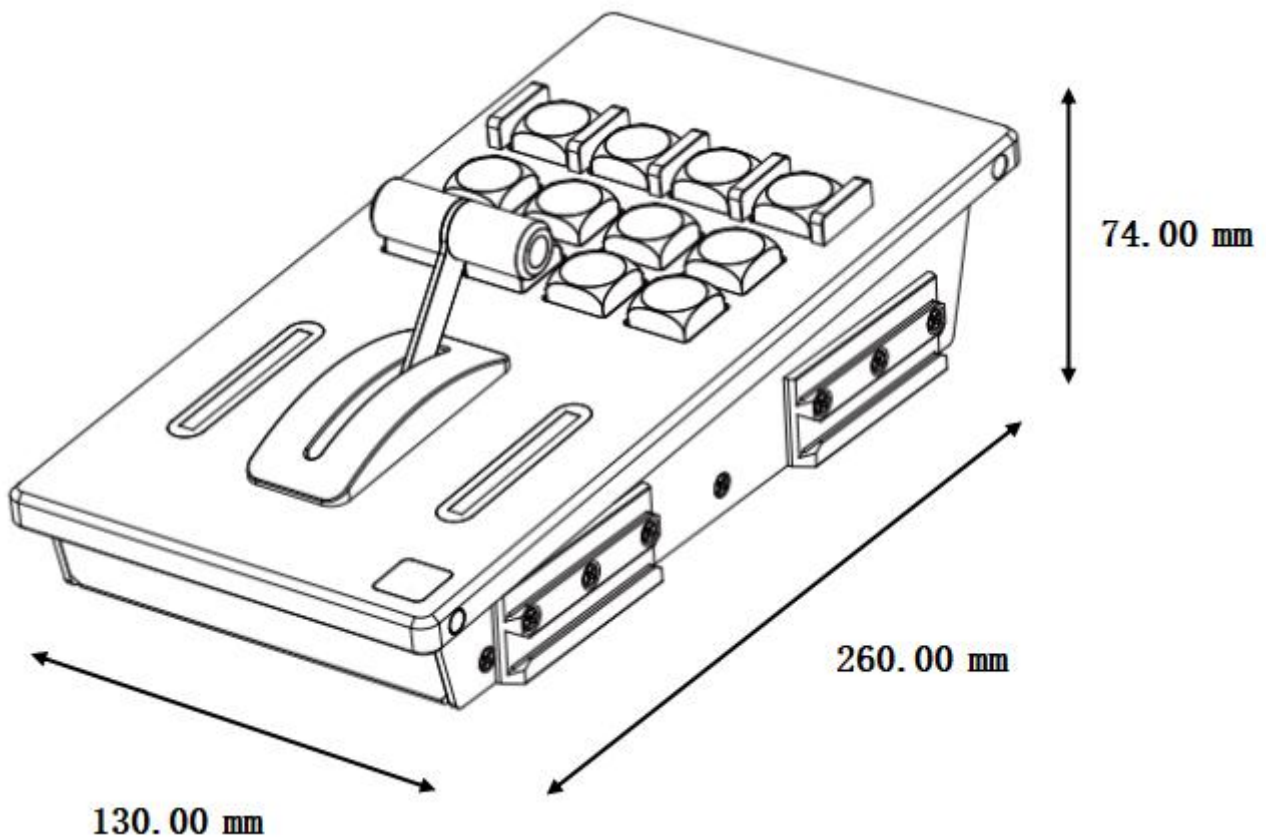


Zoom Deck---Parameters

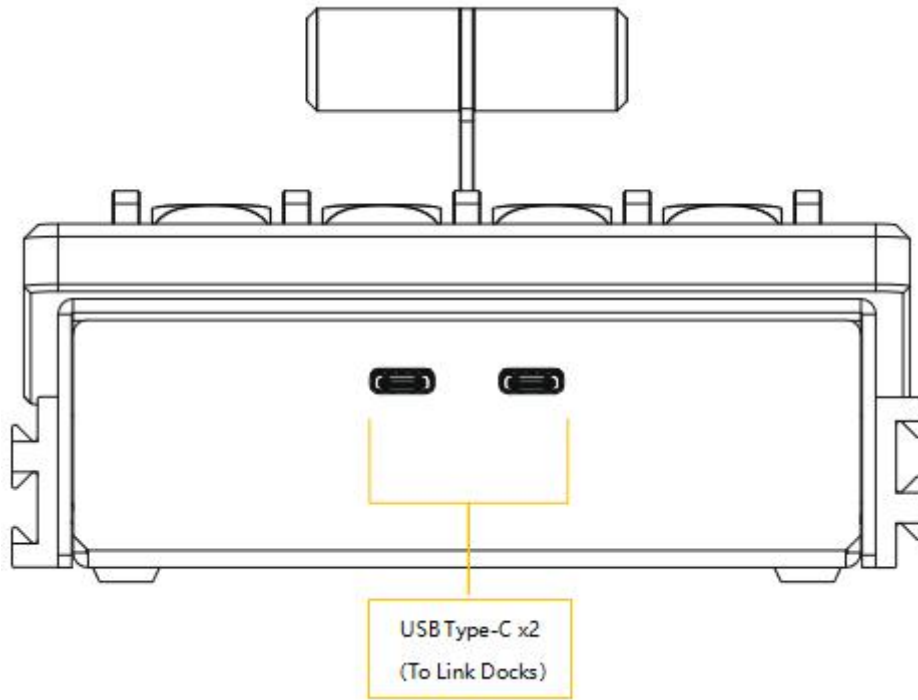
Product Model	Zoom Deck
Keys	12
ZOOM Rocker	1
USB Port	2x USB Type-C 2.0
Dimension	260.00x130.00x53.68mm
Weight	1.38kg

Zoom Deck product parameters

Take Deck---Dimension



Take Deck---Interfaces



Take Deck---Parameters

Product Model	Take Deck
Keys	12
T-Bar	1
USB Port	2x USB Type-C 2.0
Dimension	130.00x260.00x74.00mm
Weight	1.46kg